

EVOGUARD

Valve line for the food & beverage industry and for aseptic applications



Update 01/2021

Table of contents

	General Information.....	7
1	Butterfly Valve B.....	13
	Information	14
	Technical data.....	16
	Intermediate flange connection (FVF) DN.....	17
	Intermediate flange connection (FVF) OD.....	19
	Welded end connection (WVW) DN.....	21
	Welded end connection (WVW) OD.....	23
	Thread / welded end connection (WVM).....	25
	Thread / thread connection (MVM).....	27
	Thread / liner connection (MVL).....	29
	Clamp / clamp connection (CVC) DN.....	31
	Clamp / clamp connection (CVC) OD.....	33
	Intermediate flange connection without flange (OVO).....	35
	Butterfly valve combination.....	37
	Spare parts butterfly valve.....	39
	Additional equipment butterfly valve	41
2	Leakage Butterfly Valve BL.....	45
	Information	46
	Technical Data.....	47
	Leakage butterfly valve BL NC DN.....	48
	Leakage butterfly valve BL NC OD.....	50
	Spare parts leakage butterfly valve.....	52
	Additional equipment leakage butterfly valve	54
3	Seat Valve S.....	55
	Information	56
	Technical data.....	57
	Seat valve S NC DN.....	58
	Seat valve S NC OD.....	63
	Spare parts seat valve S.....	66
	Tank outlet valve ST.....	67
	Tank outlet valve ST NC DN.....	68
	Spare parts tank outlet valve ST.....	71
	Divert valve SC NC.....	72
	Divert valve SC DN.....	73
	Spare parts divert valve SC.....	75
	Divert valve SC2 NC.....	76
	Divert valve SC2 DN.....	77
	Spare parts divert valve SC2.....	79
	Inline shield valve SIS.....	80
	Inline shield valve SIS NC.....	81
	Spare parts inline shield valve SIS.....	83
	Additional equipment seat valve S.....	84
4	Overflow Valve O.....	87
	Information	88
	Technical data.....	89
	Overflow valve O NC product pressure adjustable DN.....	90

	Spare parts overflow valve O.....	93
	Additional equipment overflow valve O	94
5	Vacuum Valve V	95
	Information	96
	Technical data	97
	Vacuum valve V	100
	Spare parts vacuum valve V.....	102
	Additional equipment vacuum valve V	103
6	Double Seal Valve D.....	105
	Information	106
	Technical data	107
	Double seal valve D NC DN	108
	Double seal valve NC OD.....	111
	Spare parts double seal valve D	114
	Additional equipment double seal valve D.....	116
7	Double Seat Mixproof Valve M.....	119
	Information	120
	Technical data	121
	Double seat mixproof valve M DN	122
	Double seat mixproof valve M OD.....	126
	Spare parts double seat mixproof valve M	130
	Double seat tank outlet valve MT.....	133
	Spare parts double seat tank outlet valve MT	139
	Double seat divert valve MC.....	141
	Spare parts double seat divert valve MC.....	145
	Additional equipment double seat mixproof valve M.....	147
8	Control Valve RK	149
	Information	150
	Technical data	151
	Control valve RK.....	152
	Spare parts control valve RK	155
	Additional equipment control valve RK.....	158
9	Control Valve R.....	159
	Information	160
	Technical data	161
	Control valve R WWV.....	162
	Spare parts control valve R.....	166
	Control divert valve RC product pressure 10 bar.....	169
	Control divert valve RC DN.....	170
	Spare parts control divert valve RC.....	172
	Spare parts diaphragm actuator.....	173
10	ESL Seat Valve SD	175
	Information	176
	Technical data	177
	ESL seat valve SD.....	178
	Spare parts ESL seat valve SD	181
	Additional equipment ESL seat valve SD	182

11	ESL Double Seat Valve MD	185
	Information	186
	Technical data	187
	ESL double seat valve MD NC	188
	Spare parts ESL double seat valve MD	191
	Additional equipment ESL double seat tank outlet valve MTD.....	194
12	ESL Control Valve RD	197
	Information	198
	Technical data	199
	ESL control valve RD	200
	Spare parts ESL control valve RD.....	203
13	Aseptic Seat Valve SA	205
	Information	206
	Technical data	207
	Aseptic seat valve SA.....	208
	Spare parts aseptic seat valve SA.....	211
	Aseptic tank outlet valve STA.....	213
	Spare parts aseptic tank outlet valve STA.....	216
	Additional equipment aseptic seat valve SA	218
14	Aseptic Double Seat Valve MA	221
	Information	222
	Technical data	223
	Aseptic double seat valve MA NC	224
	Spare parts aseptic double seat valve MA.....	227
	Aseptic double seat tank outlet valve MTA	231
	Spare parts aseptic double seat valve MTA	235
	Additional equipment aseptic double seat valve MA	239
15	Aseptic Control Valve RA	241
	Information	242
	Technical data	243
	Aseptic control valve RA.....	244
	Spare parts aseptic control valve RA	247
16	Sampling	251
	Information	252
	Technical data	253
	Sampling valve.....	254
	Spare parts sampling	256
	Additional equipment	257
17	Compensator	259
	Information	260
	Technical data	261
18	Installation accessories	263
19	Documentation, certificates	264
20	Imprint	265
	General Terms and Conditions of Performance, Sale and Delivery	266

General Information

Excellent technology right down the line

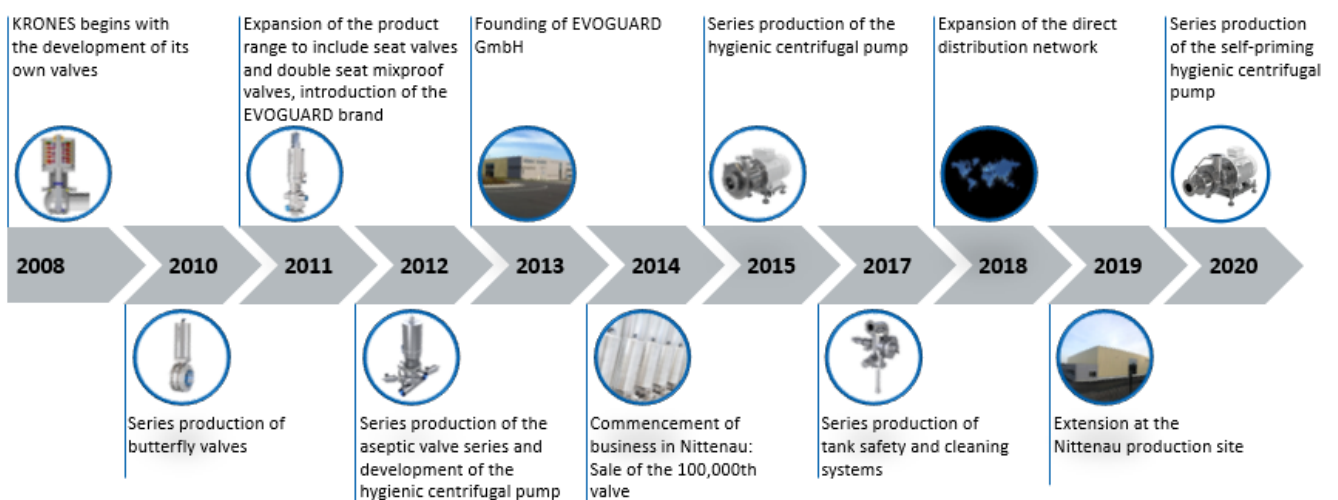
As a KRONES affiliated company, EVOGUARD has decades of experience in line construction under its belt for use in the development of its process components. Yet EVOGUARD also incorporates completely new ideas in its engineering. Its motto: Only safe and reliable components are good enough for your line.

At a glance

- Innovative technology for valves, valve manifolds and pumps used in process and filling technology
- First-class EVOGUARD quality at component level
- Manufacturing in accordance with the strictest quality and hygienic-design guidelines
- High efficiency
- Reliable operation in everyday production
- Elementary modules for absolute process reliability
- Simple and quick maintenance



Where we come from: EVOGUARD milestones



Where our products are used: the industries we serve



Dairy and liquid-food products



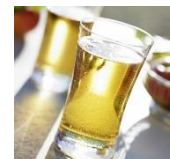
Alcoholic beverages



Pharmaceuticals and cosmetics



Soft drinks and water



Where our strengths lie: process components

Valves and valve manifolds

From the simple shut-off function up to the most advanced aseptic processes and complex valve manifolds: The EVOGUARD valve range combines hygienic and aseptic designs with all the requirements to meet demands on process stability, reliability, and maintainability.



Hygienic centrifugal pumps

Gentle product handling combined with the highest efficiencies, robust design and easy maintenance underline the advantages of the EVOGUARD centrifugal pump series.



Tank safety and cleaning systems

The modular design allows for the configuration of a solution for tank cleaning and safety that is tailored to the customer's requirements.



EvoTube tubular heat exchanger

Maintenance-free modules with cross-corrugated tubes ensure an efficient heat transfer combined with gentle product treatment. They are developed and manufactured by KRONES.

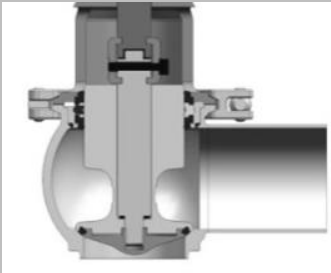
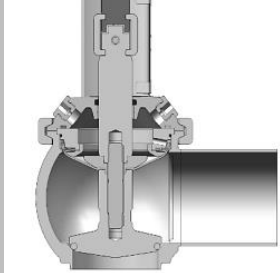
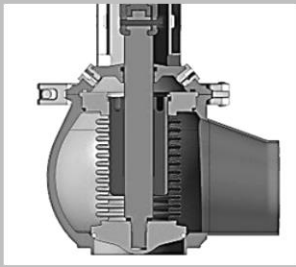


Selection

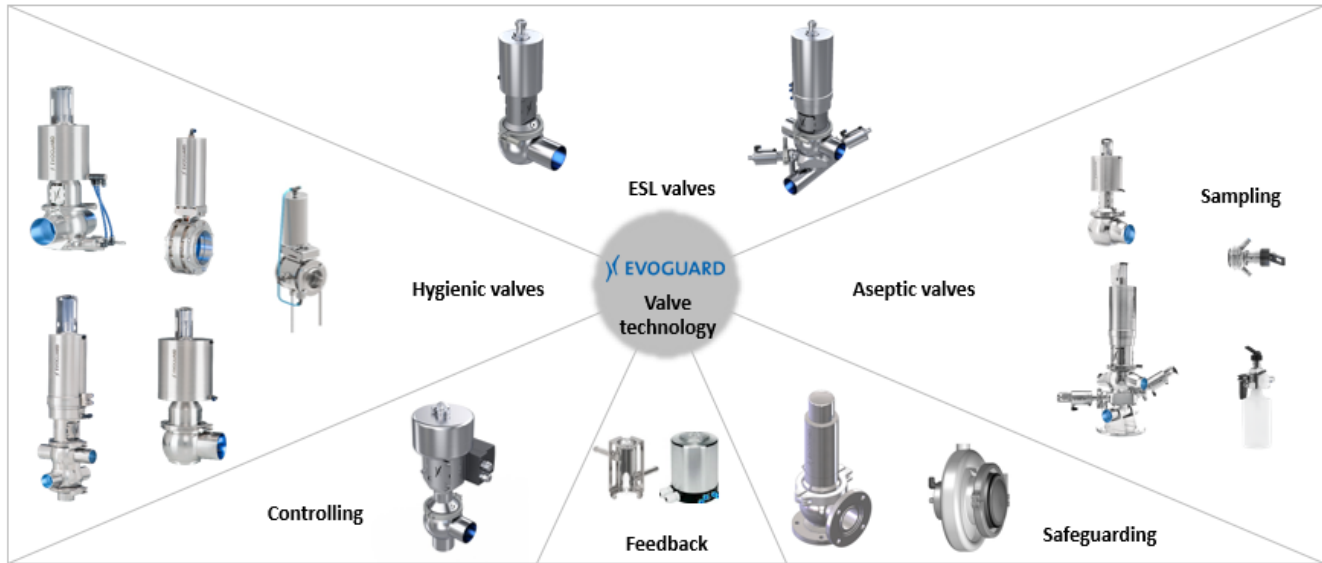
Unterschiedliche Anforderungen an Prozesskomponenten

- food and beverage industry
- ESL applications (Extended Shelf Life)
- aseptic applications



Hygienic Shaft seal	ESL Diaphragm technology	Aseptic Metal bellows
		
<ul style="list-style-type: none"> ■ Lemonades ■ Spritzers ■ Water ■ Liquid Food ■ Juice ■ Beer ■ Sparkling wine ■ Wine ■ Spirits 	<ul style="list-style-type: none"> ■ Spritzers ■ Beverages containing particles ■ Flavoured water ■ Beverages containing juice ■ Mixed drinks containing beer ■ Energy drinks ■ Liquid Food ■ Milk ■ Mixed milk drinks ■ Yogurt drinks ■ Smoothies 	<ul style="list-style-type: none"> ■ Mixed milk drinks ■ UHT milk ■ Juice ■ Ice tea ■ Tea ■ Energy drinks ■ Beverages containing particles ■ Flavoured water

Valves: Everything from one source – overview of our product range



Technical data

	Hygienic valves			ESL membrane technology		Aseptic metal bellows		
		Butterfly valve	Seat valve	Double seat mixproof valve	ESL seat valve	ESL double seat valve	Aseptic seat valve	Aseptic double seat valve
Nominal diameters	Metric	DN25, DN40, DN50, DN65, DN80, DN100, DN125, DN150			DN25, DN40, DN50, DN65, DN80, DN100, DN125			
	Inch OD	1" OD, 1.5" OD, 2" OD, 2.5" OD, 3" OD, 4" OD, 6" OD			1" OD, 1.5" OD, 2" OD, 2.5" OD, 3" OD, 4" OD			
Actuator	Manual actuator	X	X		X		X	
	Pneumatic actuator	X	X	X	X	X	X	X
Pressures	Product pressure	10 bar	6/10/22.7 bar	10/22.7 bar	6/10 bar		6/10 bar	
	Nominal pressure	Housing PN16	Housing PN25	Housing PN25	Housing PN 25		Housing PN 25	
Seal		EPDM HNBR FKM VMQ	EPDM HNBR FKM		PTFE Compound		EPDM HNBR FKM PTFE Compound	
Air pressure		Min. 6 bar, max. 8 bar						
Material	In contact with the product	1.4404 (AISI 316 L)						
	Not in contact with the product	1.4301 (AISI 304 L)						
Surface	In contact with the product	Ra ≤ 0.8 µm						
	Not in contact with the product	Ra ≤ 1.6 µm						

Benefits to you

Highest quality in the manufacturing process

- Manufacturing of the valve housings by chipping solid stainless steel material
- Accurate traceability and identification of parts by matrix code
- Use of tested materials with acceptance test certifications

Energy savings included

- Actuator variants in modular concept – adjusted to systems with a product pressure of 6, 10 or 22.7 bar
- Economical control air consumption for double seat mixproof valves with fast stroke movements for cleaning the leakage space
- Free cross-sectional areas in relation to the pipe diameter

Process safety

- Optimised sealing geometry, certified by the EHEDG
- Housings without dead space and optimally designed seal installation areas for hygienic production conditions

Consistent when it comes to safety demands

- Design according to the requirements of European Machinery Directive 2006/42/EC and Pressure Equipment Directive 2014/68/EU
- Design review by TÜV SÜD technical inspection authority (pressure, safety, strength testing, etc.)
- Pressure-resistant design of the housings of seat valves with PN 25 pressure rating

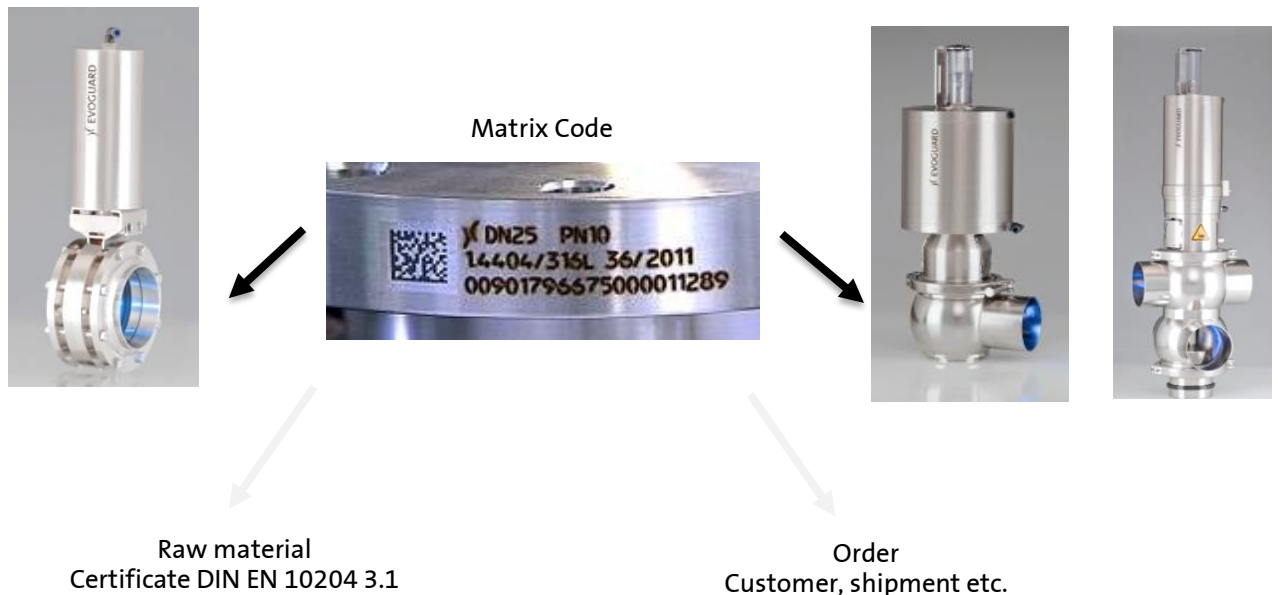
Safe handling during daily production activities

- Easy assembly and disassembly – without special tools
- Maintenance-free actuators in welded design
- Safe and quick spare parts replacement without risk of accident or confusion of seals

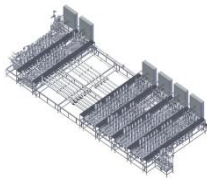
Certificates



Batch tracing of all components via matrix code



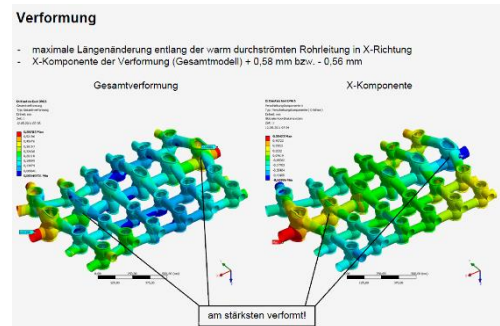
Valve blocks



- on base frames with trays
- with switch case wiring and piping
- with control module wiring and piping



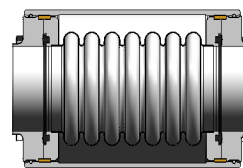
- design according to FEM expansion of piping is taken into account by design program
- fatigue endurable



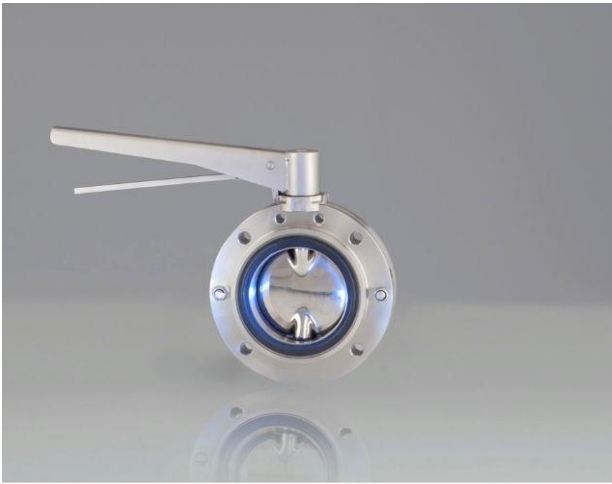
Compensator in a valve block



- Absorption of expansion in piping
- Operating pressure: 232 psi (16 bar)
- Compensation distance: 6 mm



1 Butterfly Valve B



INFORMATION

The most important part of any valve or shut-off device is the seal. A safe, reliable production flow is only guaranteed if the product path can be connected and blocked again. To ensure that this is the case, EVOGUARD valves are subjected to extensive testing.

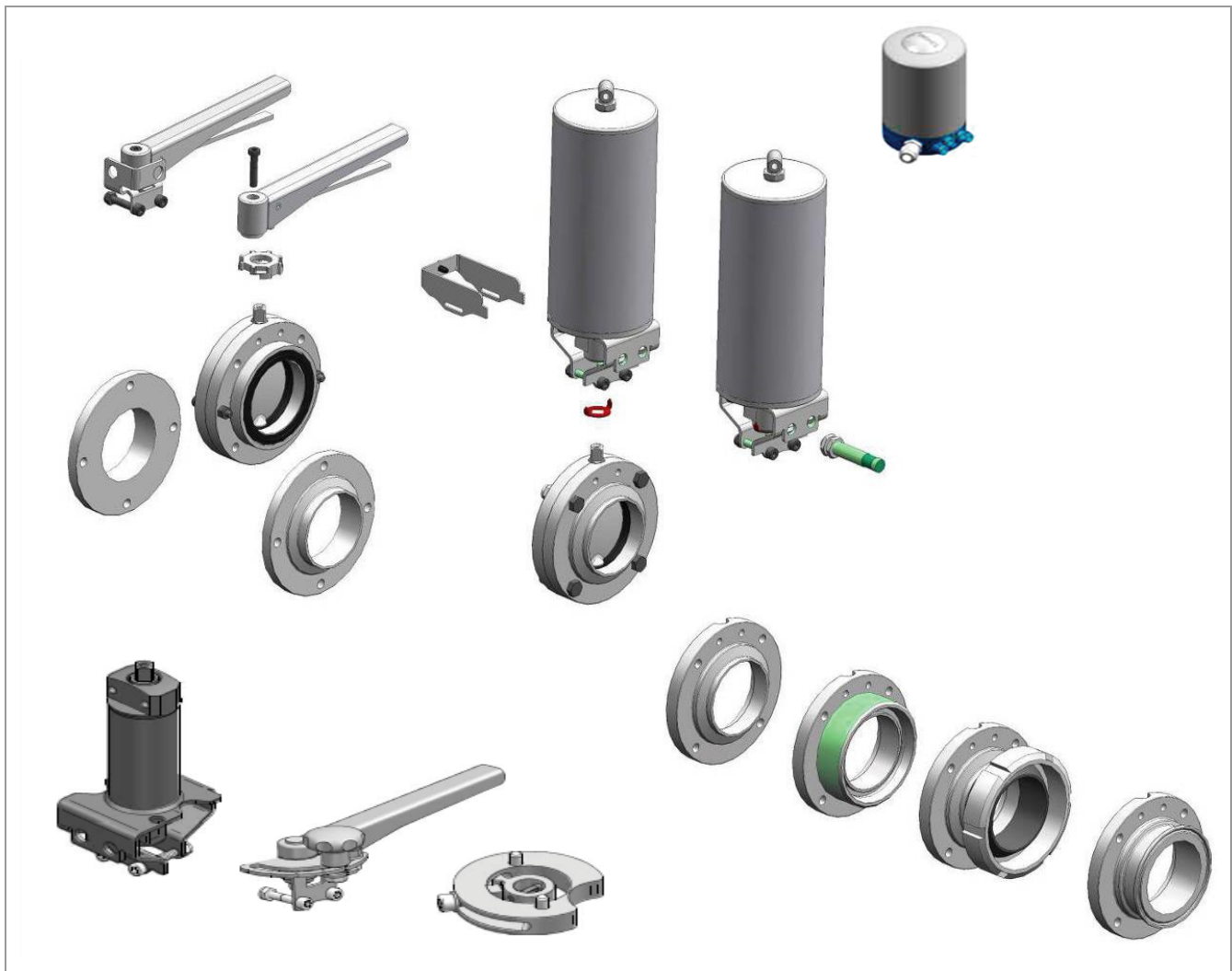
FEM analysis has been run on all valves to evaluate the structural performance of the seal and simulate the maximum load. From the user perspective, this means that the seal is as safe and reliable as possible, and material wear is kept to a minimum.

Extensive testing has been carried out on all of the components to verify the design. For example, the engineers assess the interaction between the seal and the housing or the valve disk, and they also look at the connection to the pneumatic actuator.

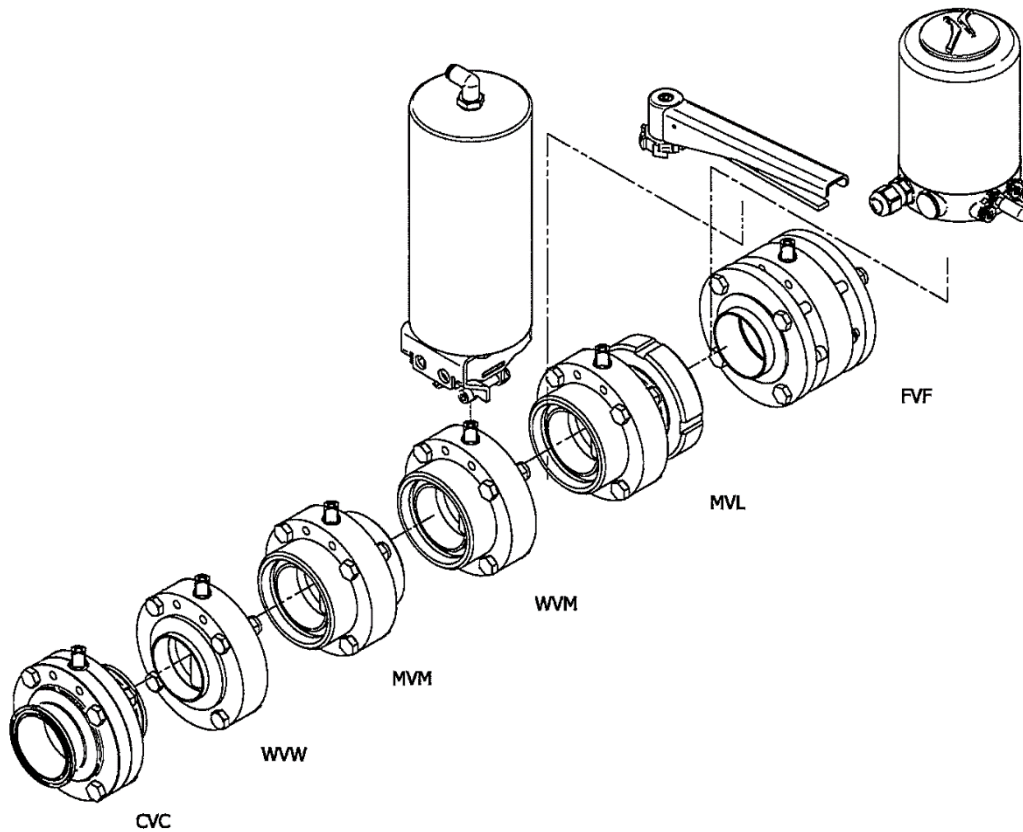
They pay special attention to safety-related features to ensure that personnel are able to safely handle the valves during production operation.

Design features of modular disk valves

- Seal flush against the housing, bevelled seat ensures that the disk opens and closes securely with minimal wear
- Welded, maintenance-free actuator, designed for 1,000,000 cycles
- Shape and composition of the elastomer in accordance with the current state of technology for a reliable sealing performance over the entire temperature range



Abbreviations for butterfly valve



Actuator: NC (spring closing / air opening)
NO (air closing / spring opening)
AA (air opening / air closing)
MA (manual)

Seal material: E (EPDM)
F (FKM)
H (HNBR)
V (VMQ)

Example for Description
Butterfly valve B DN80 WVM NC E

Connection: M (male part DIN 11851)
L (liner / nut DIN 11851)
C (clamp)
W (welded ends)
F (intermediate flange)
O (without counterflange)

Diameter

Type: B Butterfly valve
BR Butterfly control valve
BT Butterfly valve combination

TECHNICAL DATA

Pressures

Product pressure	PN 145 psi (10 bar) / vacuum -13.8 psi (-0.95 bar)
Housing	PN 231 psi (16 bar)
Control air pressure	min. 80 psi (5.5 bar) - max. 115 psi (8 bar)

Material

With product contact	1.4404 / AISI 316L
Without product contact	1.4301
Seal	EPDM / FDA Further materials available upon request

Surface

With product contact	Ra ≤ 0.8 μm
Without product contact	Ra ≤ 1.6 μm

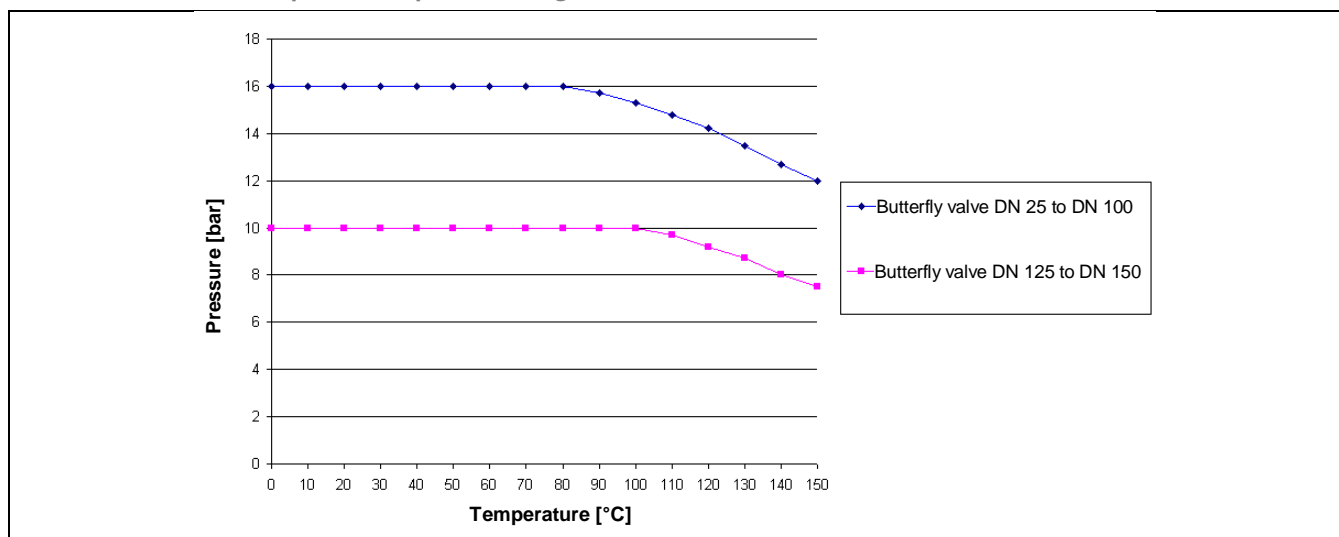
Flow coefficient

DN	25	40	50	65	80	100	125	150
KV in m3/h	22	78	180	380	602	960	1510	2000
CV in US gall / min	25.5	90.5	209	441	698	1114	1752	2320

Designs

Valve connection	Intermediate flange Welded end Thread/liner DIN 11851 Clamp ferrule DIN 32676
Actuator	Manual actuator Pneumatic actuator NC/NO Pneumatic actuator AA
Additional equipment	Control head / proximity switch M12x1 Extension / rotational stop / continuously variable locking device

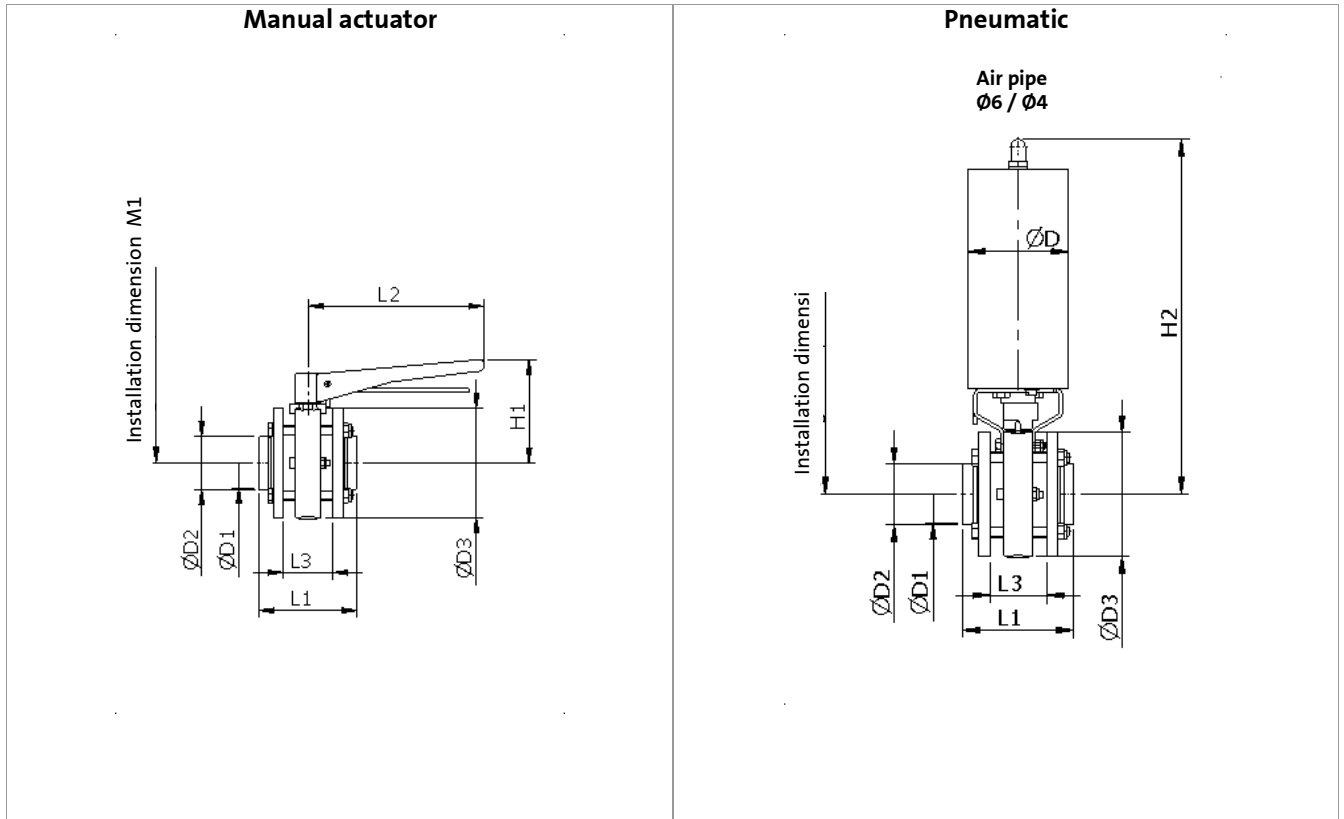
Characteristic curve temperature / pressure stage



According to legal requirements
EU Pressure Equipment Directive 2014/68/EU
EU Machinery Directive 2006/42/EC
Design check by TÜV Süd



INTERMEDIATE FLANGE CONNECTION (FVF) DN



Dimensions

DN	ØD1 mm	ØD2 mm	ØD3 mm	ØD mm	L1 mm	L3 mm	H1 mm	H2 mm	M1 mm	M2 mm
25	26	29	83	57	98	50	90	234	131	343
40	38	41	99	57	98	50	99	241	149	358
50	50	53	109	57	98	50	104	248	159	370
65	66	70	127	88,9	98	50	112	323	176	387
80	81	85	142	88,9	98	50	120	331	191	402
100	100	104	162	88,9	98	50	130	341	211	422
125	125	129	189	133	108	54	145	355	240	450
150	150	154	214	133	108	54	157	367	264	474

Weight

DN	Manual kg	Pneum. NC/NO kg	Pneum. AA kg
25	2,4	3,6	5,3
40	3,2	4,4	6,0
50	3,8	4,7	6,5
65	4,5	8,0	7,0
80	5,2	8,8	7,5
100	6,4	9,9	9,3
125	11,3	19,0	17,3
150	13,6	20,5	19,6

INTERMEDIATE FLANGE CONNECTION (FVF) DN

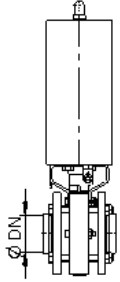
Manual actuator
1.4404 / AISI 316L

	DN	- EPDM		- HNBR		- FKM	
		Material no.	Price/€	Material no.	Price/€	Material no.	Price/€
	25	0902215092	144,00 €	0905400840	154,80 €	0902991637	167,60 €
	40	0902215118	157,00 €	0905400844	170,00 €	0902991709	183,30 €
	50	0902215191	164,00 €	0904743958	178,30 €	0902991720	195,30 €
	65	0902215198	209,00 €	0905400845	224,20 €	0902991722	248,90 €
	80	0902215306	276,00 €	0905225161	298,10 €	0902991723	328,00 €
	100	0902215307	343,00 €	0905402519	369,10 €	0902991724	409,00 €
	125	0902215327	1.054,00 €	0905400848	1.104,50 €	0904642268	1.168,90 €
	150	0902215364	1.499,00 €	0905647750	1.556,90 €	0904642269	1.640,50 €

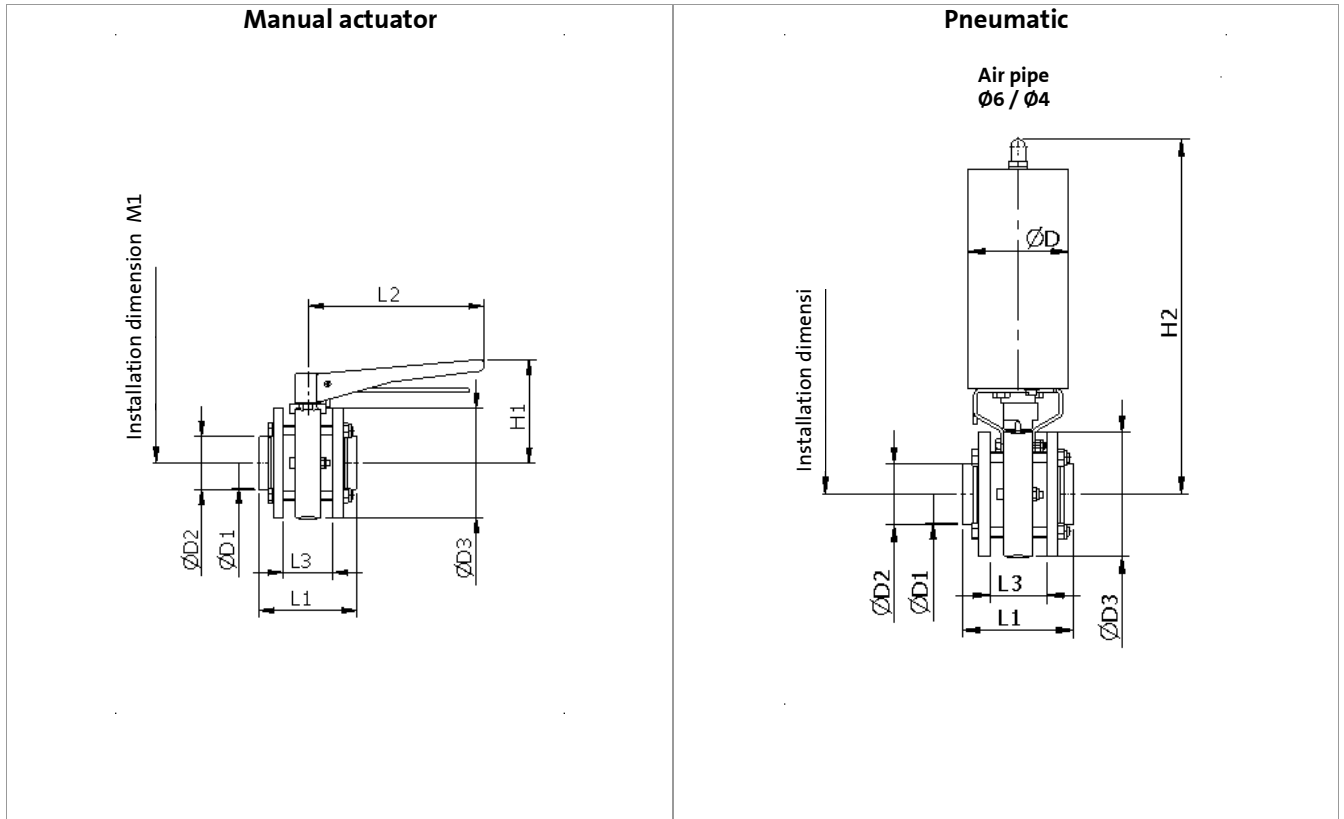
Pneumatic NC/NO
1.4404 / AISI 316L

	DN	- EPDM		- HNBR		- FKM	
		Material no.	Price/€	Material no.	Price/€	Material no.	Price/€
	25	0904160727	279,00 €	0904220429	289,80 €	0902992499	302,60 €
	40	0904160746	291,00 €	0904220530	304,00 €	0902992586	317,30 €
	50	0904160749	301,00 €	0904081219	315,30 €	0902992587	332,30 €
	65	0902212897	374,00 €	0903469311	389,20 €	0902992588	413,90 €
	80	0902212928	434,00 €	0904220531	456,10 €	0902991601	486,00 €
	100	0902212987	489,00 €	0904220532	515,10 €	0902992610	555,00 €
	125	0902213053	1.499,00 €	0904220533	1.549,50 €		1.613,90 €
	150	0902213192	1.999,00 €	0904220534	2.056,90 €		2.140,50 €

Pneumatic AA
1.4404 / AISI 316L

	DN	- EPDM		- HNBR		- FKM	
		Material no.	Price/€	Material no.	Price/€	Material no.	Price/€
	25	0902213280	299,00 €		309,80 €		322,60 €
	40	0902213289	311,00 €		324,00 €		337,30 €
	50	0902213390	321,00 €		335,30 €		352,30 €
	65	0902213779	364,00 €		379,20 €		403,90 €
	80	0902213808	424,00 €		446,10 €		476,00 €
	100	0902213848	479,00 €		505,10 €		545,00 €
	125	0902214131	1.483,00 €		1.533,50 €		1.597,90 €
	150	0902214198	1.983,00 €		2.040,90 €		2.124,50 €

INTERMEDIATE FLANGE CONNECTION (FVF) OD



Dimensions

Inch OD	ØD1 mm	ØD2 mm	ØD3 mm	ØD mm	L1 mm	L3 mm	H1 mm	H2 mm	M1 mm	M2 mm
1"	22,1	25,4	83	57	98	50	90	234	131	343
1,5"	34,8	38,1	100	57	98	50	99	241	149	358
2"	47,5	50,8	110	57	98	50	104	248	159	370
2,5"	60,2	63,5	127	88,9	98	50	112	323	176	387
3"	72,9	76,2	134	88,9	98	50	116	327	191	402
4"	97,38	101,6	162	88,9	98	50	130	341	211	422
5"										
6"	146,86	152,4	215	133	108	54	157	367	264	474

Weight

Inch OD	Manual kg	Pneum. NC/NO kg	Pneum. AA kg
1"	2,5	3,6	5,3
1,5"	3,2	4,4	6,0
2"	3,6	4,7	6,5
2,5"	4,8	8,0	7,0
3"	4,9	8,8	7,5
4"	6,4	9,9	9,3
5"			
6"	13,0	20,5	19,6

INTERMEDIATE FLANGE CONNECTION (FVF) OD

Manual actuator
1.4404 / AISI 316L

Inch OD	- EPDM		- HNBR		- FKM	
	Material no.	Price/€	Material no.	Price/€	Material no.	Price/€
1"	0903333354	144,00 €	0904982782	154,80 €	0905002039	167,60 €
1,5"	0903379635	157,00 €	0904982752	170,00 €	0904937983	183,30 €
2"	0903333357	164,00 €	0904982750	178,30 €	0904587923	195,30 €
2,5"	0903532841	209,00 €	0905070886	224,20 €	0905325632	248,90 €
3"	0903333359	276,00 €	0904982563	298,10 €	0905001886	328,00 €
4"	0903333421	343,00 €		369,10 €		409,00 €
5"						
6"	0903333423	1.499,00 €		1.556,90 €		1.640,50 €

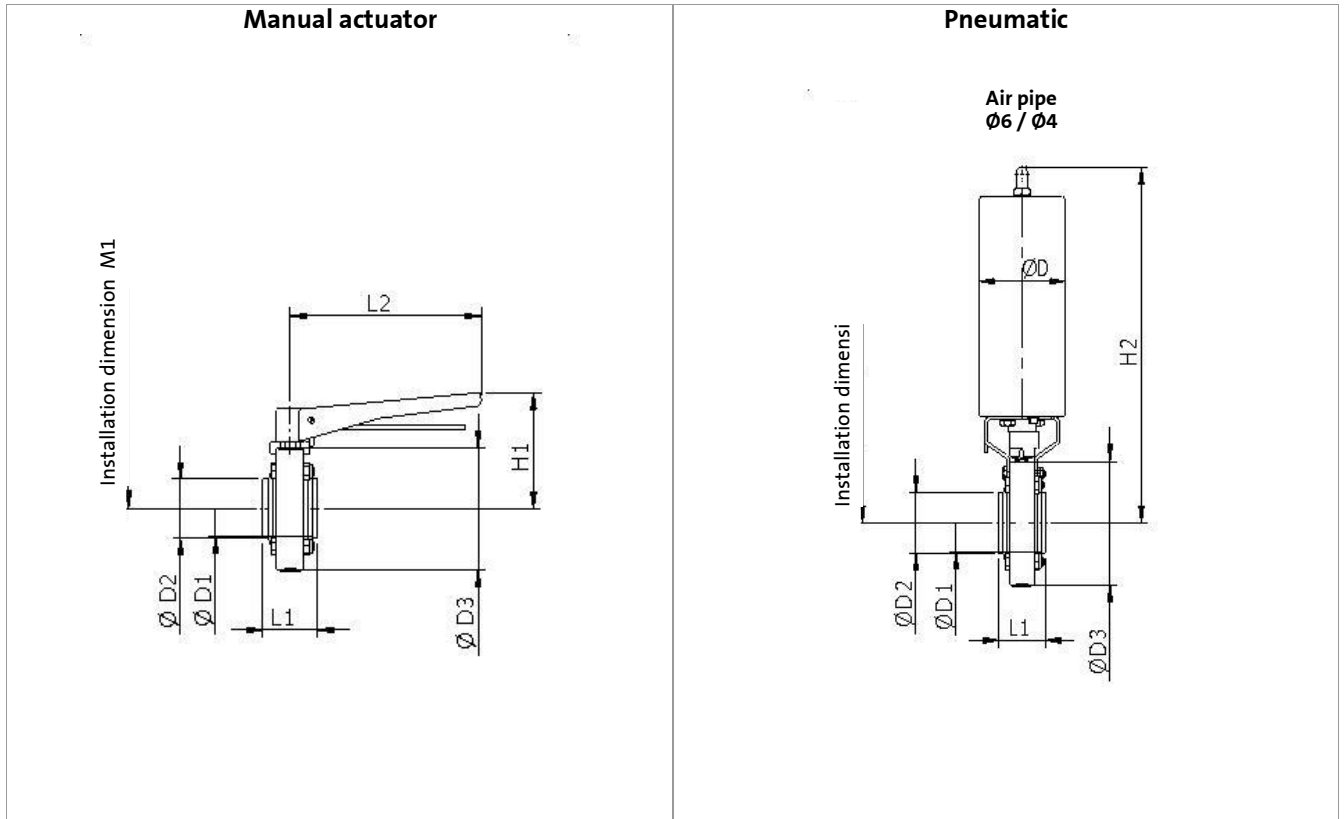
Pneumatic NC/NO
1.4404 / AISI 316L

Inch OD	- EPDM		- HNBR		- FKM	
	Material no.	Price/€	Material no.	Price/€	Material no.	Price/€
1"	0903379625	279,00 €		289,80 €	0903759138	302,60 €
1,5"	0903520105	291,00 €	0903758471	304,00 €	0905002140	317,30 €
2"	0903708494	301,00 €	0903755519	315,30 €	0905221034	332,30 €
2,5"	0903708495	374,00 €	0903758159	389,20 €	0905325631	413,90 €
3"	0903379723	434,00 €	0903766925	456,10 €	0905006134	486,00 €
4"	0903708498	489,00 €		515,10 €		555,00 €
5"						
6"	0903708499	1.999,00 €		2.056,90 €		2.140,50 €

Pneumatic AA
1.4404 / AISI 316L

Inch OD	- EPDM		- HNBR		- FKM	
	Material no.	Price/€	Material no.	Price/€	Material no.	Price/€
1"		299,00 €		309,80 €		322,60 €
1,5"		311,00 €	0903758471	324,00 €		337,30 €
2"		321,00 €	0903755519	335,30 €		352,30 €
2,5"		364,00 €	0903758159	379,20 €		403,90 €
3"		424,00 €	0903766925	446,10 €		476,00 €
4"		479,00 €		505,10 €		545,00 €
5"						
6"		1.983,00 €		2.040,90 €		2.124,50 €

WELDED END CONNECTION (VWV) DN



Dimensions

DN	ØD1 mm	ØD2 mm	ØD3 mm	ØD mm	L1 mm	L2 mm	H1 mm	H2 mm	M1 mm	M2 mm
25	26	29	83	57	50	175	90	234	115	324
40	38	41	99	57	50	175	99	241	123	333
50	50	53	109	57	50	175	104	248	128	338
65	66	70	127	88,9	50	175	112	323	137	347
80	81	85	142	88,9	50	175	120	331	144	354
100	100	104	162	88,9	50	175	130	341	154	364
125	125	129	189	133	74	175	145	355	165	375
150	150	154	214	133	74	175	157	367	178	388

Weight

DN	Manual kg	Pneum. NC/NO kg	Pneum. AA kg
25	1,4	2,6	4,2
40	1,8	3,0	4,6
50	2,1	3,2	4,8
65	2,4	6,0	5,2
80	2,9	6,5	5,7
100	3,7	7,2	6,4
125	7,8	15,5	13,8
150	9,7	19,0	16,0

WELDED END CONNECTION (WVW) DN

Manual actuator
1.4404 / AISI 316L

	DN	- EPDM		- HNBR		- FKM	
		Material no.	Price/€	Material no.	Price/€	Material no.	Price/€
	25	0902204899	91,00 €	0905246853	101,80 €	0903364627	114,60 €
	40	0902205359	99,00 €	0905246855	112,00 €		125,30 €
	50	0902205579	103,00 €	0905246856	117,30 €	0903582359	134,30 €
	65	0902205635	129,00 €	0903508219	144,20 €	0903582441	168,90 €
	80	0902205639	178,00 €	0905246880	200,10 €	0903364629	230,00 €
	100	0902205765	224,00 €	0905246886	250,10 €	0905086473	290,00 €
	125	0902215208	584,00 €	0905246888	634,50 €	0905498709	698,90 €
	150	0902215242	849,00 €		906,90 €	0905189000	990,50 €

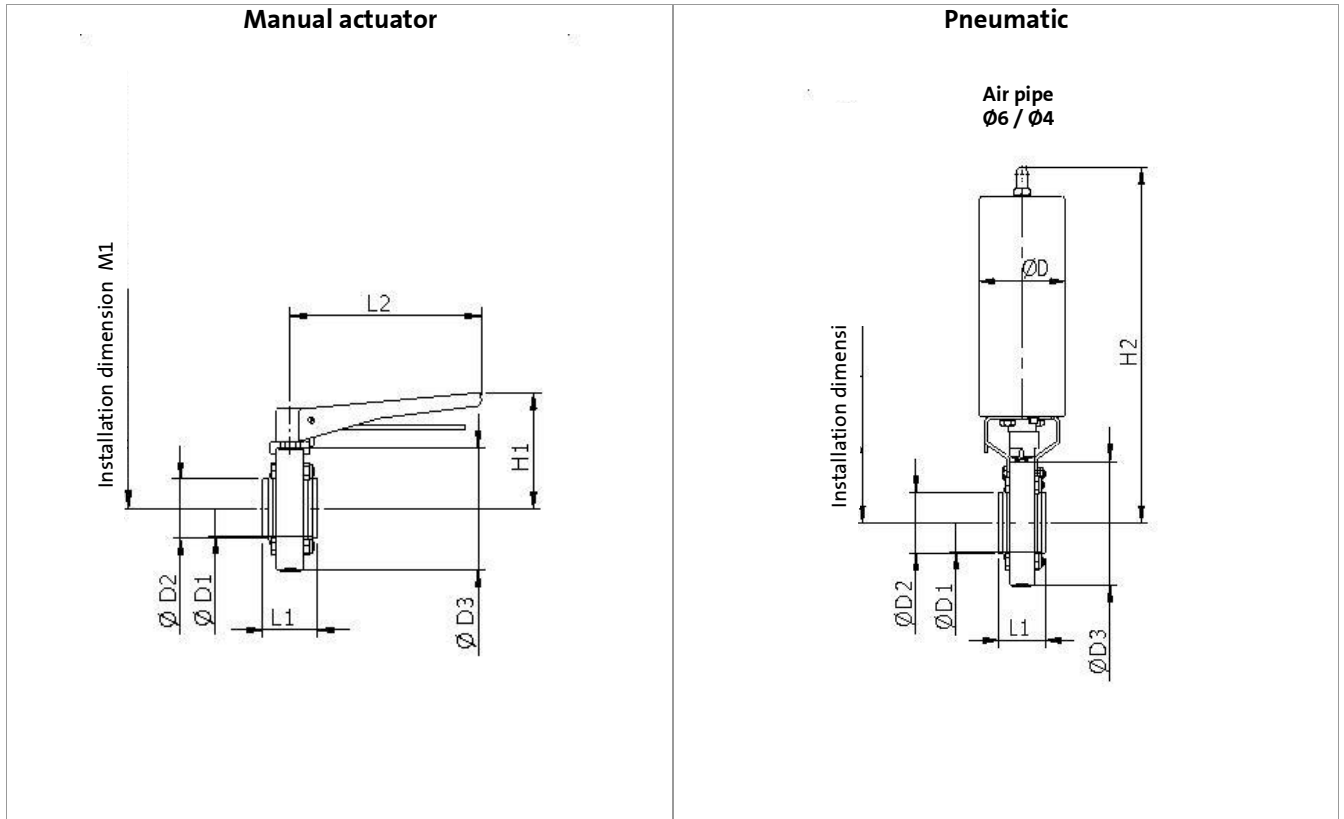
Pneumatic NC/NO
1.4404 / AISI 316L

	DN	- EPDM		- HNBR		- FKM	
		Material no.	Price/€	Material no.	Price/€	Material no.	Price/€
	25	0902205179	231,00 €		241,80 €	0903728036	254,60 €
	40	0902205794	236,00 €	0903057973	249,00 €	0903178034	262,30 €
	50	0902205811	243,00 €		257,30 €	0903582189	274,30 €
	65	0902205866	301,00 €	0903508417	316,20 €	0903582413	340,90 €
	80	0902205867	346,00 €		368,10 €	0903364628	398,00 €
	100	0902205900	391,00 €		417,10 €		457,00 €
	125	0902205952	1.199,00 €		1.249,50 €		1.313,90 €
	150	0902205955	1.456,00 €		1.513,90 €		1.597,50 €

Pneumatic AA
1.4404 / AISI 316L

	DN	- EPDM		- HNBR		- FKM	
		Material no.	Price/€	Material no.	Price/€	Material no.	Price/€
	25	0902205309	251,00 €		261,80 €		274,60 €
	40	0902206466	256,00 €		269,00 €		282,30 €
	50	0902206467	263,00 €		277,30 €		294,30 €
	65	0902206571	291,00 €		306,20 €		330,90 €
	80	0902206615	336,00 €		358,10 €		388,00 €
	100	0902206860	381,00 €		407,10 €		447,00 €
	125	0902206677	1.183,00 €		1.233,50 €		1.297,90 €
	150	0902206678	1.440,00 €		1.497,90 €		1.581,50 €

WELDED END CONNECTION (VWV) OD



Dimensions

Inch OD	ØD1 mm	ØD2 mm	ØD3 mm	ØD mm	L1 mm	L2 mm	H1 mm	H2 mm	M1 mm	M2 mm
1"	22,1	25,4	83	57	50	175	90	234	115	324
1,5"	34,8	38,1	100	57	50	175	99	241	123	333
2"	47,5	50,8	110	57	50	175	104	248	128	338
2,5"	60,2	63,5	127	88,9	50	175	112	323	137	347
3"	72,9	76,2	134	88,9	50	175	116	327	144	354
4"	97,38	101,6	162	88,9	50	175	130	341	154	364
5"										
6"	146,86	152,4	215	133	74	175	157	367	178	388

Weight

Inch OD	Manual kg	Pneum. NC/NO kg	Pneum. AA kg
1"	1,4	2,6	4,2
1,5"	1,8	3,0	4,6
2"	2,1	3,2	4,8
2,5"	2,4	6,0	5,2
3"	2,9	6,5	5,7
4"	3,7	7,2	6,4
5"			
6"	9,7	19,0	16,0

WELDED END CONNECTION (WVW) OD

Manual actuator
1.4404 / AISI 316L

Inch OD	- EPDM		- HNBR		- FKM	
	Material no.	Price/€	Material no.	Price/€	Material no.	Price/€
1"	0903649121	91,00 €		101,80 €	0904906377	114,60 €
1,5"	0903650405	99,00 €		112,00 €	0904906376	125,30 €
2"	0903642367	103,00 €		117,30 €	0904932444	134,30 €
2,5"	0903650487	129,00 €		144,20 €	0904946351	168,90 €
3"	0903410740	178,00 €		200,10 €	0905156688	230,00 €
4"	0903650403	224,00 €		250,10 €	0904795064	290,00 €
5"						
6"	0904993863	849,00 €		906,90 €		990,50 €

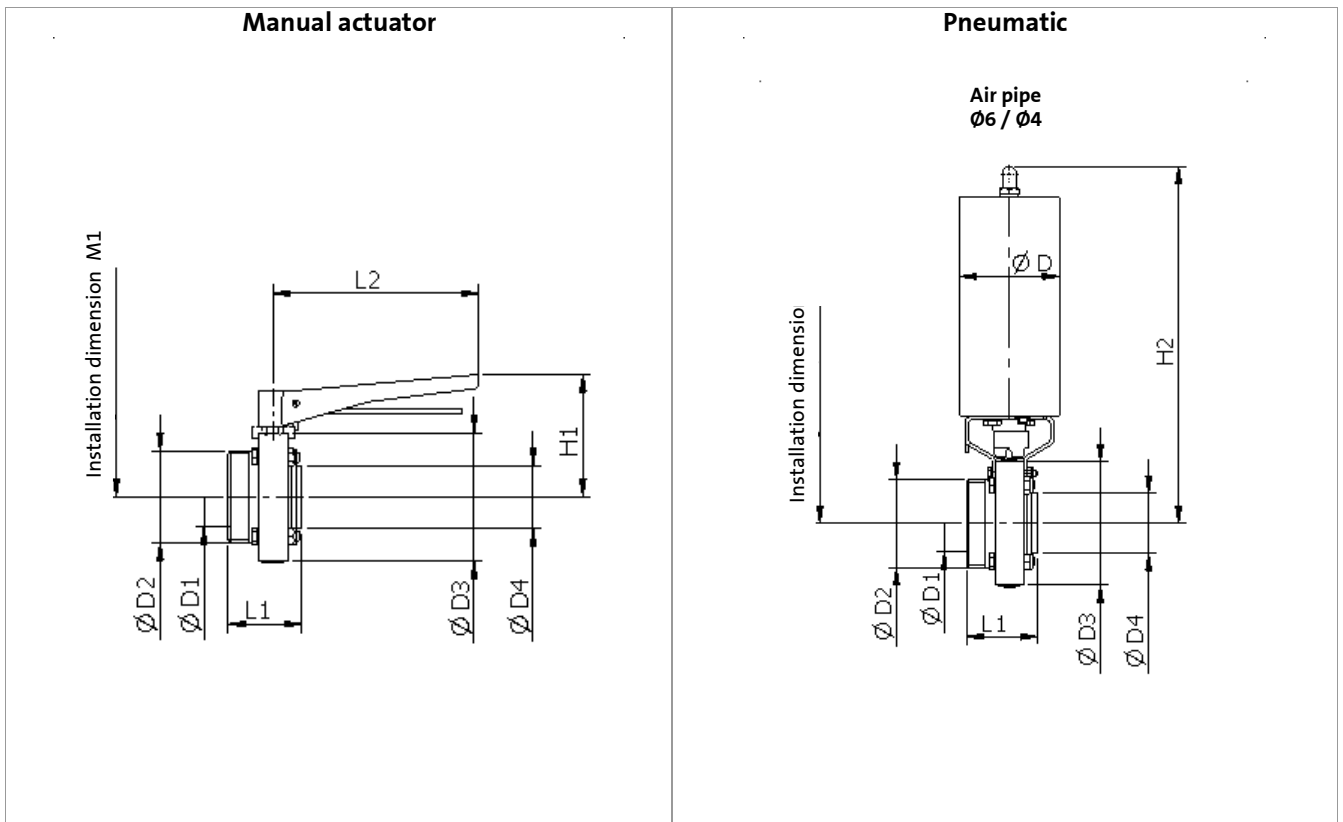
Pneumatic NC/NO
1.4404 / AISI 316L

Inch OD	- EPDM		- HNBR		- FKM	
	Material no.	Price/€	Material no.	Price/€	Material no.	Price/€
1"	0903649085	231,00 €	0904425941	241,80 €		254,60 €
1,5"	0904634269	236,00 €	0904515602	249,00 €		262,30 €
2"	0903649127	243,00 €		257,30 €		274,30 €
2,5"	0903708542	301,00 €		316,20 €		340,90 €
3"	0903649211	346,00 €		368,10 €	0903659869	398,00 €
4"	0903708593	391,00 €		417,10 €		457,00 €
5"						
6"	0904842993	1.456,00 €		1.513,90 €		1.597,50 €

Pneumatic AA
1.4404 / AISI 316L

Inch OD	- EPDM		- HNBR		- FKM	
	Material no.	Price/€	Material no.	Price/€	Material no.	Price/€
1"		251,00 €		261,80 €		274,60 €
1,5"		256,00 €		269,00 €		282,30 €
2"	0904346458	263,00 €		277,30 €		294,30 €
2,5"	0904383912	291,00 €		306,20 €		330,90 €
3"		336,00 €		358,10 €		388,00 €
4"		381,00 €		407,10 €		447,00 €
5"						
6"		1.440,00 €		1.497,90 €		1.581,50 €

THREAD / WELDED END CONNECTION (WVM)



Dimensions

DN	ØD1 mm	ØD2 mm	ØD3 mm	ØD4 mm	ØD mm	L1 mm	H1 mm	H2 mm	M1 mm	M2 mm
25	26	Rd 52x1/6"	83	29	57	63	90	234	115	324
40	38	Rd 65x1/6"	99	41	57	63	99	241	123	333
50	50	Rd 78x1/6"	109	53	57	63	104	248	128	338
65	66	Rd 95x1/6"	127	70	88,9	65	112	323	137	347
80	81	Rd 110x1/4"	142	85	88,9	68	120	331	144	354
100	100	Rd 130x1/4"	162	104	88,9	68	130	341	154	364
125	125	Rd 160x1/4"	189	129	133	120	145	355	165	375
150	150	Rd 190x1/4"	214	154	133	124	157	367	178	388

Weight

DN	Manual kg	Pneum. NC/NO kg	Pneum. AA Kg
25	1,5	2,7	4,3
40	2,0	3,4	4,8
50	2,3	3,8	5,2
65	2,9	6,5	5,7
80	3,5	7,2	6,4
100	4,3	7,8	7,0
125	8,9	17,0	15,0
150	11,3	21,0	19,0

THREAD / WELDED END CONNECTION (WVM)

Manual actuator
1.4404 / AISI 316L

DN	- EPDM		- HNBR		- FKM	
	Material no.	Price/€	Material no.	Price/€	Material no.	Price/€
25	0902173437	97,00 €		107,30 €	0903930984	120,60 €
40	0902173438	105,00 €	0904045834	118,00 €	0903908850	131,30 €
50	0902173439	110,00 €		124,30 €	0902751245	141,30 €
65	0902173460	137,00 €		152,20 €	0903886659	176,90 €
80	0902173461	189,00 €	0903074800	211,10 €	0903219174	241,00 €
100	0902173462	232,00 €		258,10 €		298,00 €
125	0902173463	637,00 €		687,50 €		751,90 €
150	0902173464	924,00 €		981,90 €		1.065,50 €

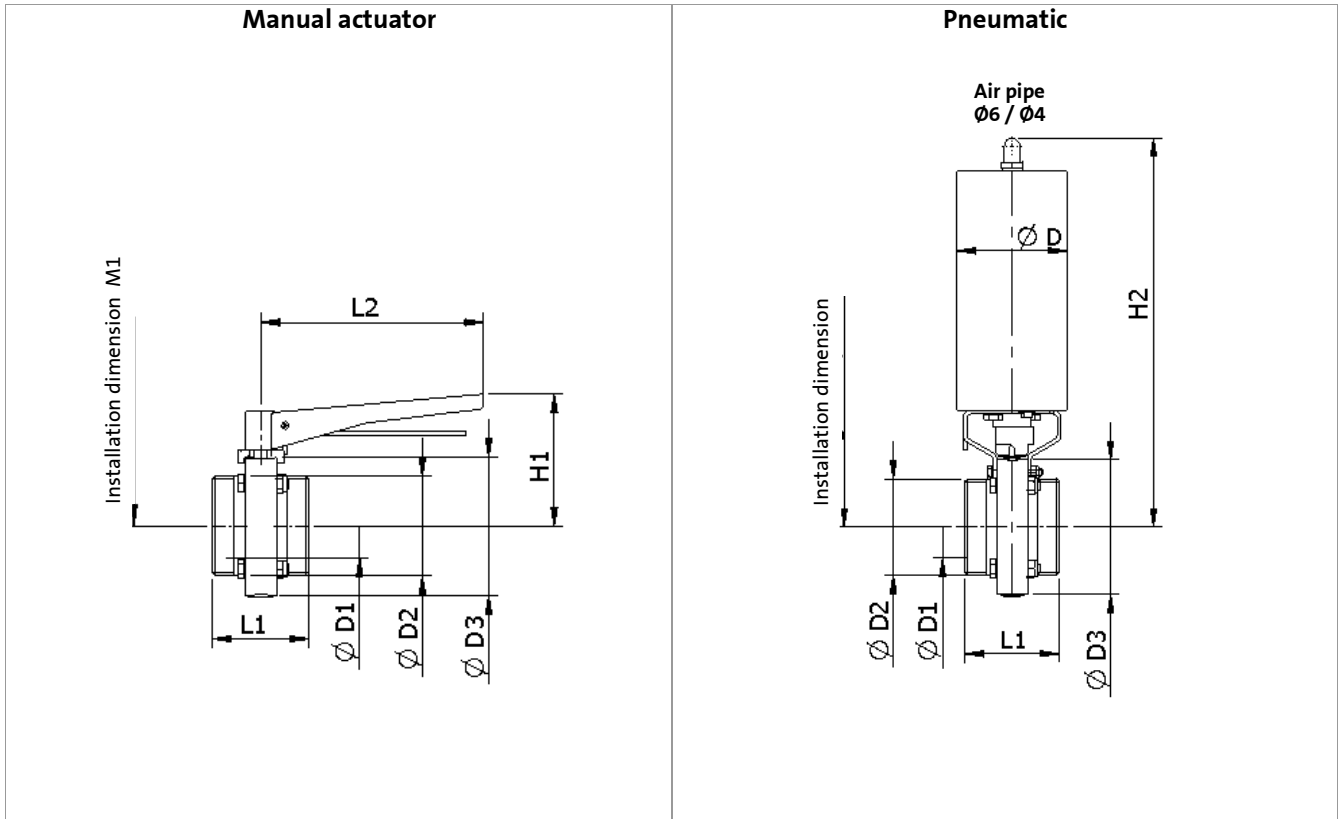
Pneumatic NC/NO
1.4404 / AISI 316L

DN	- EPDM		- HNBR		- FKM	
	Material no.	Price/€	Material no.	Price/€	Material no.	Price/€
25	0902200174	237,00 €		247,80 €	0904349781	260,60 €
40	0902202126	242,00 €		255,00 €	0904693551	268,30 €
50	0902202931	250,00 €		264,30 €	0904340934	281,30 €
65	0902203091	308,00 €		323,20 €	0904742308	347,90 €
80	0902204627	354,00 €		376,10 €		406,00 €
100	0902203171	400,00 €		426,10 €	0904655429	466,00 €
125	0902213925	1.249,00 €		1.299,50 €		1.363,90 €
150	0902213928	1.528,00 €		1.585,90 €		1.669,50 €

Pneumatic AA
1.4404 / AISI 316L

DN	- EPDM		- HNBR		- FKM	
	Material no.	Price/€	Material no.	Price/€	Material no.	Price/€
25	0902203240	257,00 €		267,80 €	0904249406	280,60 €
40	0902203310	262,00 €		275,00 €		288,30 €
50	0902203316	270,00 €		284,30 €	0904181523	301,30 €
65	0902203358	298,00 €		313,20 €		337,90 €
80	0902204629	344,00 €		366,10 €		396,00 €
100	0902203412	390,00 €		416,10 €		456,00 €
125	0902214051	1.233,00 €		1.283,50 €		1.347,90 €
150	0902214053	1.512,00 €		1.569,90 €		1.653,50 €

THREAD / THREAD CONNECTION (MVM)



Dimensions

DN	ØD1 mm	ØD2 mm	ØD3 mm	ØD mm	L1 mm	L2 mm	H1 mm	H2 mm	M1 mm	M2 mm
25	26	Rd 52x1/6"	83	57	76	175	90	234	115	324
40	38	Rd 65x1/6"	99	57	76	175	99	241	123	333
50	50	Rd 78x1/6"	109	57	76	175	104	248	128	338
65	66	Rd 95x1/6"	127	88,9	80	175	112	323	137	347
80	81	Rd 110x1/4"	142	88,9	86	175	120	331	144	354
100	100	Rd 130x1/4"	162	88,9	86	175	130	341	154	364
125	125	Rd 160x1/4"	189	133	166	175	145	355	165	375
150	150	Rd 190x1/4"	214	133	174	175	157	367	178	388

Weight

DN	Manual kg	Pneum. NC/NO kg	Pneum. AA kg
25	1,9	3,1	4,7
40	2,5	3,4	5,0
50	2,9	4,2	5,8
65	3,8	7,4	6,6
80	4,7	7,6	6,8
100	6,0	9,6	8,8
125	11,1	19,8	17,8
150	14,5	23,2	21,2

THREAD / THREAD (MVM)

Manual actuator
1.4404 / AISI 316L

	DN	- EPDM		- HNBR		- FKM	
		Material no.	Price/€	Material no.	Price/€	Material no.	Price/€
	25	0902209699	102,00 €		112,80 €		125,60 €
	40	0902209969	111,00 €	0904045834	124,00 €		137,30 €
	50	0902210366	116,00 €		130,30 €		147,30 €
	65	0902210461	144,00 €		159,20 €		183,90 €
	80	0902210467	199,00 €	0903074800	221,10 €		251,00 €
	100	0902210545	239,00 €		265,10 €		305,00 €
	125	0902212375	689,00 €		739,50 €		803,90 €
	150	0902215057	999,00 €		1.056,90 €		1.140,50 €

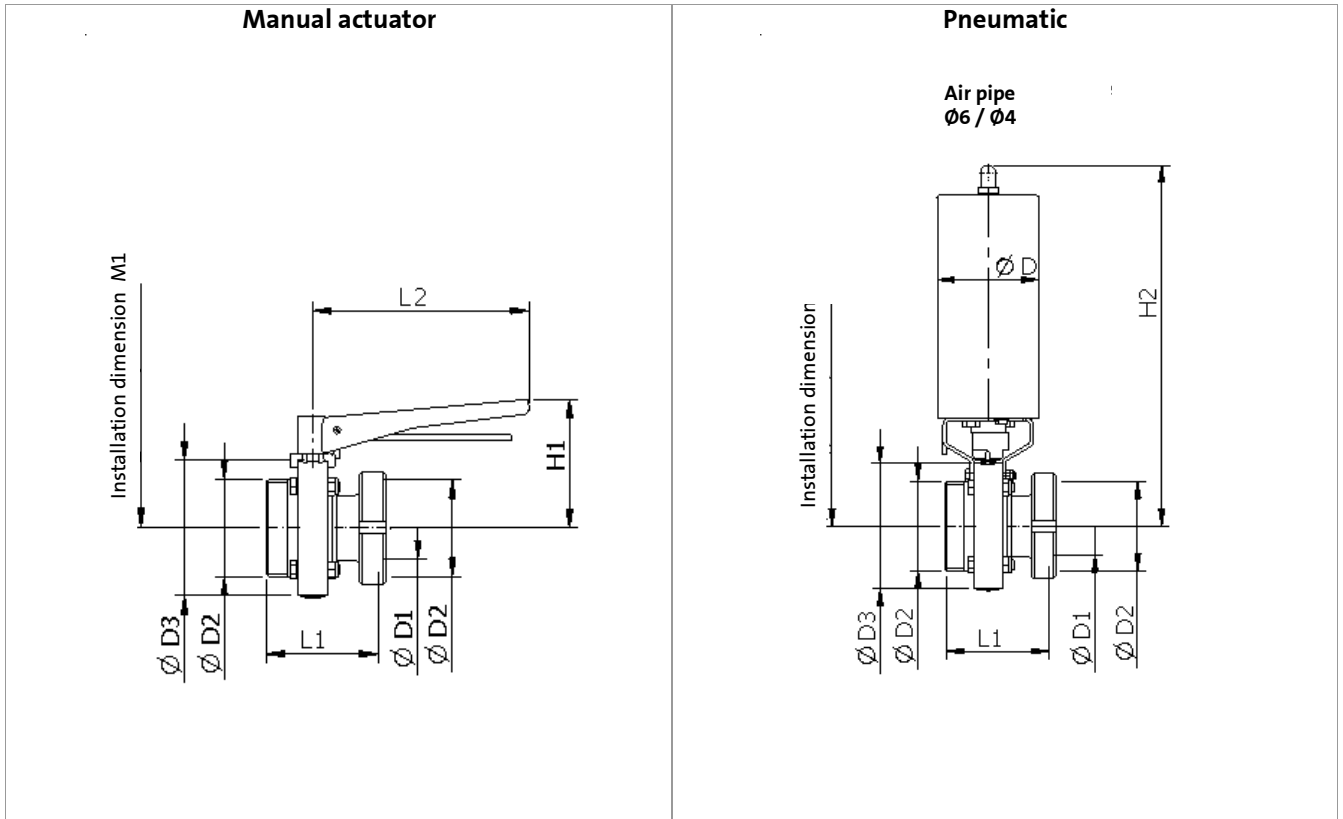
Pneumatic NC/NO
1.4404 / AISI 316L

	DN	- EPDM		- HNBR		- FKM	
		Material no.	Price/€	Material no.	Price/€	Material no.	Price/€
	25	0902210662	243,00 €		253,80 €		266,60 €
	40	0902210666	248,00 €		261,00 €		274,30 €
	50	0902211050	257,00 €		271,30 €		288,30 €
	65	0902211051	316,00 €		331,20 €		355,90 €
	80	0902211059	362,00 €		384,10 €		414,00 €
	100	0902211110	409,00 €		435,10 €		475,00 €
	125	0902212407	1.299,00 €		1.349,50 €		1.413,90 €
	150	0902212627	1.599,00 €		1.656,90 €		1.740,50 €

Pneumatic AA
1.4404 / AISI 316L

	DN	- EPDM		- HNBR		- FKM	
		Material no.	Price/€	Material no.	Price/€	Material no.	Price/€
	25	0902212652	263,00 €		273,80 €		286,60 €
	40	0902212701	268,00 €		281,00 €		294,30 €
	50	0902212760	277,00 €		291,30 €		308,30 €
	65	0902212764	306,00 €		321,20 €		345,90 €
	80	0902212766	352,00 €		374,10 €		404,00 €
	100	0902212843	399,00 €		425,10 €		465,00 €
	125	0902212847	1.283,00 €		1.333,50 €		1.397,90 €
	150	0902212905	1.583,00 €		1.640,90 €		1.724,50 €

THREAD / LINER CONNECTION (MVL)



Dimensions

DN	ØD1 mm	ØD2 mm	ØD3 mm	ØD mm	L1 mm	L2 mm	H1 mm	H2 mm	M1 mm	M2 mm
25	26	Rd 52x1/6"	83	57	85	175	90	234	115	324
40	38	Rd 65x1/6"	99	57	89	175	99	241	123	333
50	50	Rd 78x1/6"	109	57	91	175	104	248	128	338
65	66	Rd 95x1/6"	127	88,9	97	175	112	323	137	347
80	81	Rd 110x1/4"	142	88,9	105	175	120	331	144	354
100	100	Rd 130x1/4"	162	88,9	112	175	130	341	154	364
125	125	Rd 160x1/4"	189	133	154	175	145	355	165	375
150	150	Rd 190x1/4"	214	133	161	175	157	367	178	388

Weight

DN	Manual kg	Pneum. NC/NO kg	Pneum. AA kg
25	1,9	2,7	4,5
40	2,5	3,6	5,2
50	2,9	3,9	5,5
65	3,8	7,4	6,6
80	4,7	8,0	7,2
100	6,0	9,6	8,8
125	11,1	15,8	13,8
150	14,5	19,2	17,2

THREAD / LINER CONNECTION (MVL)

Manual actuator
1.4404 / AISI 316L

	DN	- EPDM		- HNBR		- FKM	
		Material no.	Price/€	Material no.	Price/€	Material no.	Price/€
	25	0902213041	124,00 €		134,80 €		147,60 €
	40	0902213049	135,00 €		148,00 €		161,30 €
	50	0902213117	144,00 €		158,30 €		175,30 €
	65	0902213119	179,00 €		194,20 €		218,90 €
	80	0902213236	229,00 €		251,10 €		281,00 €
	100	0902213269	309,00 €		335,10 €		375,00 €
	125	0902215141	689,00 €		739,50 €		803,90 €
	150	0902215180	1.099,00 €		1.156,90 €		1.240,50 €

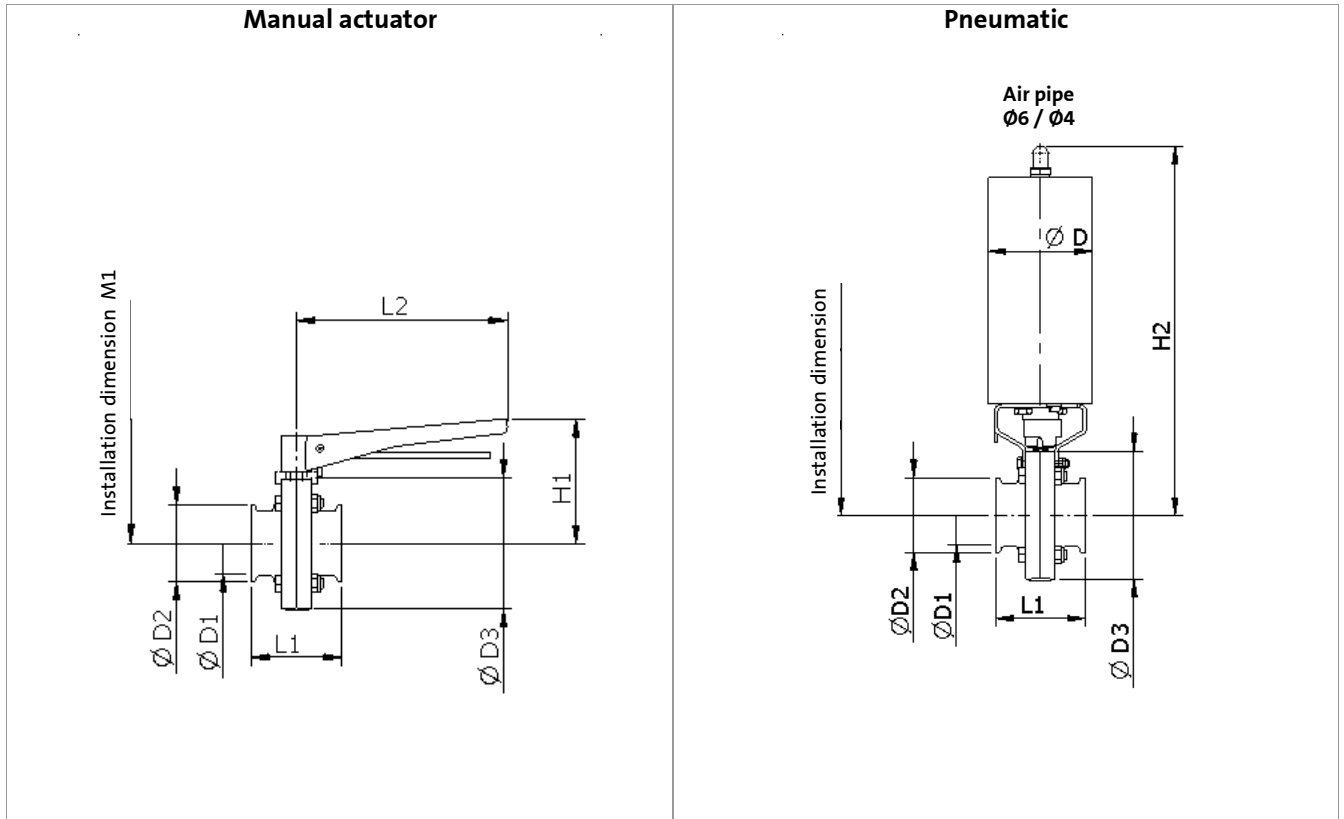
Pneumatic NC/NO
1.4404 / AISI 316L

	DN	- EPDM		- HNBR		- FKM	
		Material no.	Price/€	Material no.	Price/€	Material no.	Price/€
	25	0902213297	262,00 €		272,80 €		285,60 €
	40	0902213317	269,00 €		282,00 €		295,30 €
	50	0902213374	279,00 €		293,30 €	0903709885	310,30 €
	65	0902213378	344,00 €		359,20 €		383,90 €
	80	0902213423	404,00 €		426,10 €		456,00 €
	100	0902213427	464,00 €		490,10 €		530,00 €
	125	0902213491	1.379,00 €		1.429,50 €		1.493,90 €
	150	0902213498	1.679,00 €		1.736,90 €		1.820,50 €

Pneumatic AA
1.4404 / AISI 316L

	DN	- EPDM		- HNBR		- FKM	
		Material no.	Price/€	Material no.	Price/€	Material no.	Price/€
	25	0902213822	282,00 €		292,80 €		305,60 €
	40	0902213823	289,00 €		302,00 €		315,30 €
	50	0902213828	299,00 €		313,30 €	0903728037	330,30 €
	65	0902213852	334,00 €		349,20 €		373,90 €
	80	0902213858	394,00 €		416,10 €		446,00 €
	100	0902213859	454,00 €		480,10 €		520,00 €
	125	0902213920	1.363,00 €		1.413,50 €		1.477,90 €
	150	0902213922	1.663,00 €		1.720,90 €		1.804,50 €

CLAMP / CLAMP CONNECTION (CVC) DN



Dimensions

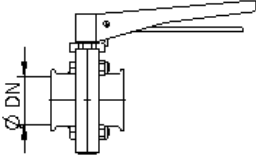
DN	ØD1 mm	ØD2 mm	ØD3 mm	ØD mm	L1 mm	L2 mm	H1 mm	H2 mm	M1 mm	M2 mm
25	26	50,5	83	57	76	175	90	234	115	324
40	38	50,5	99	57	76	175	99	241	123	333
50	50	64	109	57	76	175	104	248	128	338
65	66	91	127	88,9	80	175	112	323	137	347
80	81	106	142	88,9	86	175	120	331	144	354
100	100	119	162	88,9	86	175	130	341	154	364
125	125	155	189	133	130	175	145	355	165	375
150	150	183	214	133	130	175	157	367	178	388

Weight

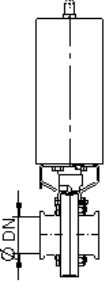
DN	Manual kg	Pneum. NC/NO kg	Pneum. AA kg
25	1,6	3,0	4,6
40	2,1	3,2	4,8
50	2,4	3,4	5,8
65	3,1	6,8	6,0
80	3,8	7,4	6,7
100	4,3	7,9	7,2
125	8,9	16,1	15,1
150	11,4	18,7	16,9

CLAMP / CLAMP CONNECTION (CVC) DN

Manual actuator
1.4404 / AISI 316L

	DN	- EPDM		- HNBR		- FKM	
		Material no.	Price/€	Material no.	Price/€	Material no.	Price/€
	25	0903471474	112,00 €	0905153398	122,80 €	0904529450	135,60 €
	40	0902214112	122,00 €		135,00 €	0904448503	148,30 €
	50	0902214118	127,00 €		141,30 €	0904529452	158,30 €
	65	0902214151	159,00 €		174,20 €	0904529453	198,90 €
	80	0902214157	229,00 €		251,10 €		281,00 €
	100	0902214260	283,00 €		309,10 €		349,00 €
	125	0902215373	689,00 €		739,50 €		803,90 €
	150	0902215375	1.448,00 €		1.505,90 €		1.589,50 €

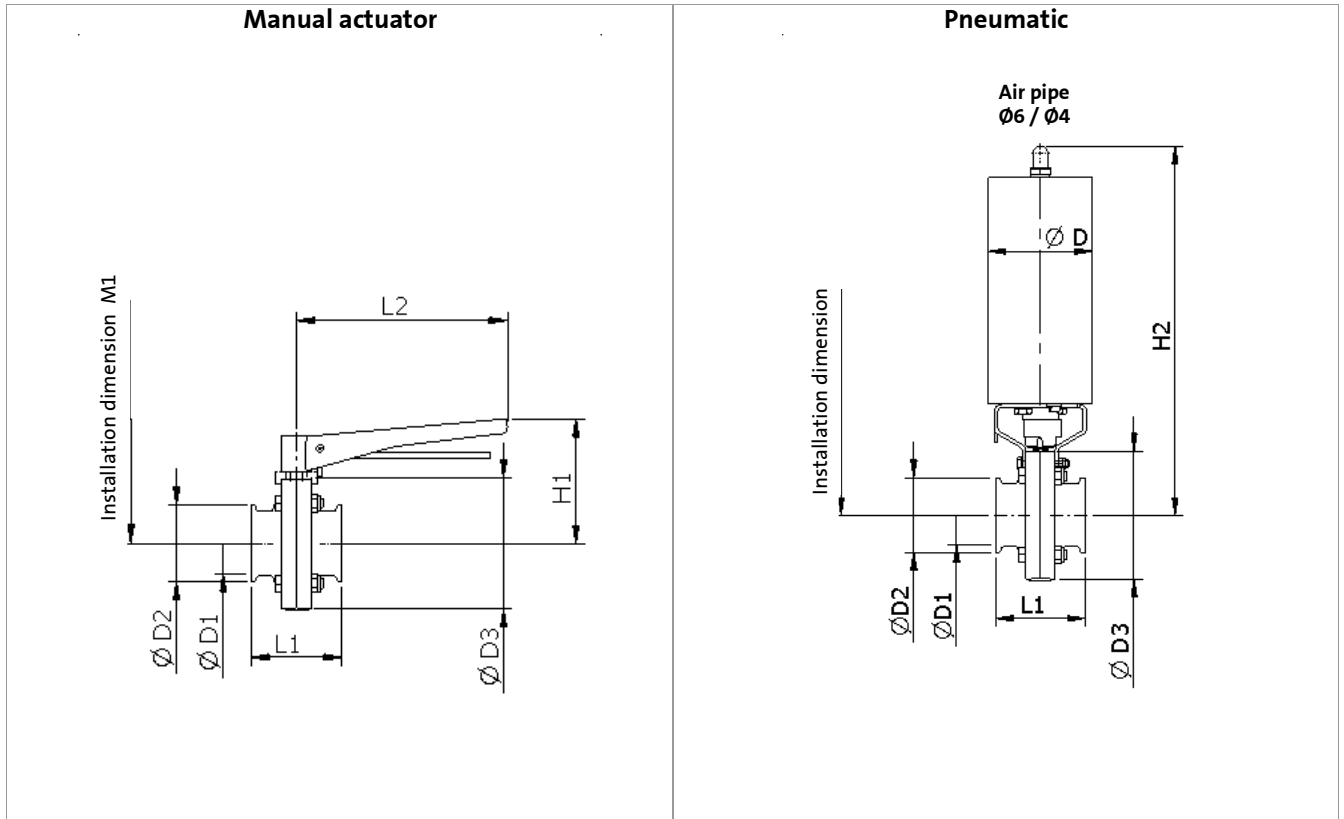
Pneumatic NC/NO
1.4404 / AISI 316L

	DN	- EPDM		- HNBR		- FKM	
		Material no.	Price/€	Material no.	Price/€	Material no.	Price/€
	25	0902214269	249,00 €		259,80 €		272,60 €
	40	0902214286	255,00 €		268,00 €		281,30 €
	50	0902214337	264,00 €		278,30 €		295,30 €
	65	0902214434	323,00 €		338,20 €	0903660004	362,90 €
	80	0902214436	372,00 €		394,10 €		424,00 €
	100	0902214461	419,00 €		445,10 €	0903642400	485,00 €
	125	0902214466	1.299,00 €		1.349,50 €		1.413,90 €
	150	0902214519	1.599,00 €		1.656,90 €		1.740,50 €

Pneumatic AA
1.4404 / AISI 316L

	DN	- EPDM		- HNBR		- FKM	
		Material no.	Price/€	Material no.	Price/€	Material no.	Price/€
	25	0902214358	269,00 €		279,80 €		292,60 €
	40	0902214458	275,00 €		288,00 €		301,30 €
	50	0902214623	284,00 €		298,30 €		315,30 €
	65	0902214625	313,00 €		328,20 €		352,90 €
	80	0902214626	362,00 €		384,10 €		414,00 €
	100	0902214628	409,00 €	0903402087	435,10 €	0903642363	475,00 €
	125	0902214773	1.283,00 €		1.333,50 €		1.397,90 €
	150	0902214774	1.583,00 €		1.640,90 €		1.724,50 €

CLAMP / CLAMP CONNECTION (CVC) OD



Dimensions

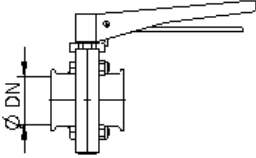
Inch OD	ØD1 mm	ØD2 mm	ØD3 mm	ØD mm	L1 mm	L2 mm	H1 mm	H2 mm	M1 mm	M2 mm
1"	22,1	50,5	83	57	76	175	90	234	115	324
1,5"	34,8	50,5	100	57	76	175	99	241	123	333
2"	47,5	64	110	57	76	175	104	248	128	338
2,5"	60,2	77,5	127	88,9	80	175	112	323	137	347
3"	72,9	91	134	88,9	86	175	116	327	144	354
4"	97,38	119	162	88,9	86	175	130	341	154	364
5"										
6"	146,86	167	215	133	130	175	157	367	178	388

Weight

Inch OD	Manual kg	Pneum. NC/NO kg	Pneum. AA kg
1"	1,6	3,0	4,6
1,5"	2,1	3,4	4,8
2"	2,4	4,6	5,8
2,5"	3,1	6,7	6,0
3"	3,2	6,8	6,1
4"	4,3	8,0	7,2
5"			
6"	11,4	18,7	16,9

CLAMP / CLAMP CONNECTION (CVC) OD

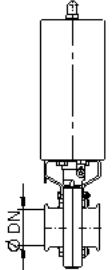
Manual actuator
1.4404 / AISI 316L

	Inch OD	- EPDM		- HNBR		- FKM	
		Material no.	Price/€	Material no.	Price/€	Material no.	Price/€
	1"	0903542651	112,00 €		122,80 €		135,60 €
	1,5"	0903542345	122,00 €		135,00 €	0904877326	148,30 €
	2"	0903541231	127,00 €		141,30 €		158,30 €
	2,5"	0903650059	159,00 €		174,20 €	0904882254	198,90 €
	3"	0903649212	229,00 €		251,10 €	0904882259	281,00 €
	4"	0903649169	283,00 €		309,10 €		349,00 €
	5"						
	6"		1.448,00 €		1.505,90 €		1.589,50 €

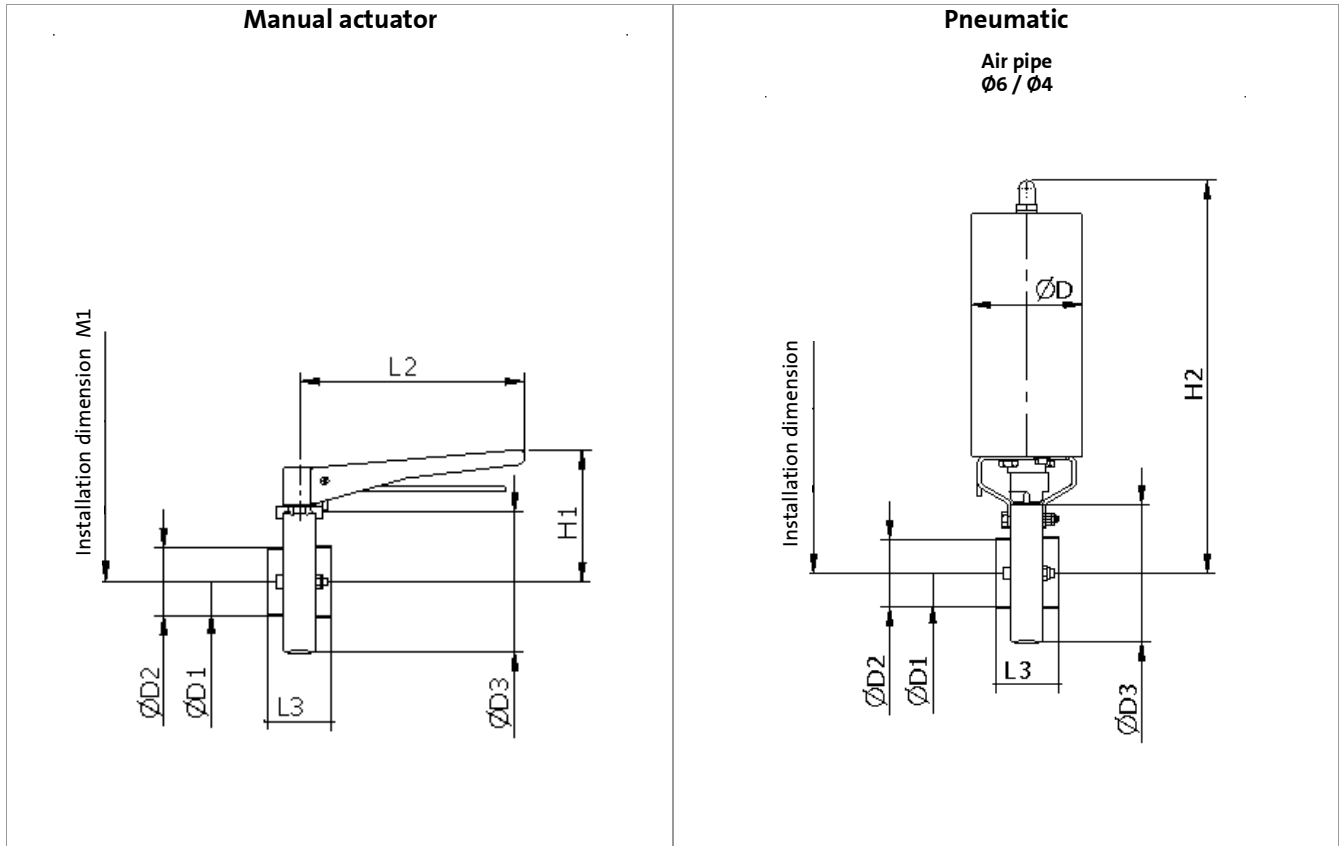
Pneumatic NC/NO
1.4404 / AISI 316L

	Inch OD	- EPDM		- HNBR		- FKM	
		Material no.	Price/€	Material no.	Price/€	Material no.	Price/€
	1"	0903764294	249,00 €		259,80 €		272,60 €
	1,5"	0903764292	255,00 €		268,00 €		281,30 €
	2"	0903562562	264,00 €		278,30 €		295,30 €
	2,5"	0903764290	323,00 €		338,20 €		362,90 €
	3"	0903597693	372,00 €		394,10 €		424,00 €
	4"	0903876480	419,00 €		445,10 €		485,00 €
	5"						
	6"		1.599,00 €		1.656,90 €		1.740,50 €

Pneumatic AA
1.4404 / AISI 316L

	Inch OD	- EPDM		- HNBR		- FKM	
		Material no.	Price/€	Material no.	Price/€	Material no.	Price/€
	1"		269,00 €		279,80 €		292,60 €
	1,5"	0904740490	275,00 €		288,00 €		301,30 €
	2"		284,00 €	0903277289	298,30 €		315,30 €
	2,5"		313,00 €		328,20 €		352,90 €
	3"		362,00 €		384,10 €		414,00 €
	4"		409,00 €		435,10 €		475,00 €
	5"						
	6"		1.583,00 €		1.640,90 €		1.724,50 €

INTERMEDIATE FLANGE CONNECTION WITHOUT FLANGE (OVO)



Dimensions

DN	ØD1 mm	ØD2 mm	ØD3 mm	ØD mm	L2 mm	L3 mm	H1 mm	H2 mm	M1 mm	M2 mm
25	26		83	57	175	50	90	234	131	343
40	38		99	57	175	50	99	241	149	358
50	50		109	57	175	50	104	248	159	370
65	66		127	88,9	175	50	112	323	176	387
80	81		142	88,9	175	50	120	331	191	402
100	100		162	88,9	175	50	130	341	211	422
125	125		189	133	175	54	145	355	240	450
150	150		214	133	175	54	157	367	264	474

Weight

DN	Manual kg	Pneum. NC/NO kg	Pneum. AA kg
25	1,4	2,5	4,2
40	1,9	3,1	4,7
50	2,1	3,2	4,8
65	2,6	6,2	5,5
80	3,0	6,6	5,8
100	3,8	7,4	6,6
125	6,8	14,5	12,5
150	8,5	16,2	14,2

INTERMEDIATE FLANGE CONNECTION WITHOUT FLANGE (OVO)

Manual actuator
1.4404 / AISI 316L

	DN	- EPDM		- HNBR		- FKM	
		Material no.	Price/€	Material no.	Price/€	Material no.	Price/€
	25	0902156816	109,00 €	0902666401	119,80 €	0902734134	132,60 €
	40	0902156817	112,00 €	0902666402	125,00 €	0902734136	138,30 €
	50	0902156818	118,00 €	0902666403	132,30 €	0902734137	149,30 €
	65	0902156819	139,00 €	0902666404	154,20 €	0902734150	178,90 €
	80	0902156930	199,00 €	0902666406	221,10 €	0902734151	251,00 €
	100	0902156931	249,00 €	0902666205	275,10 €	0902734153	315,00 €
	125	0902156932	889,00 €		939,50 €	0903134712	1.003,90 €
	150	0902156933	1.214,00 €	0904874477	1.271,90 €		1.355,50 €

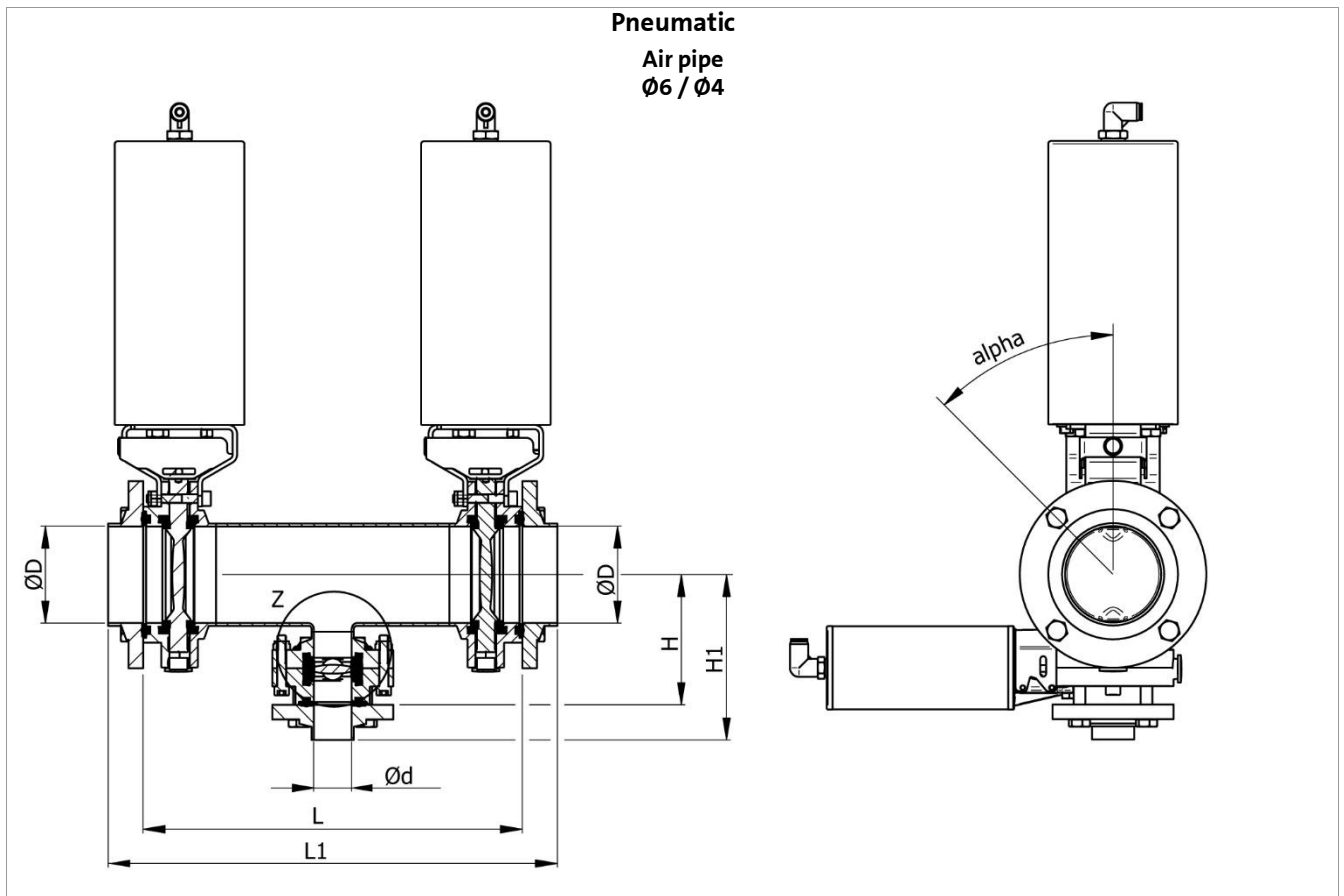
Pneumatic NC/NO
1.4404 / AISI 316L

	DN	- EPDM		- HNBR		- FKM	
		Material no.	Price/€	Material no.	Price/€	Material no.	Price/€
	25	0904160721	244,00 €	0902560973	254,80 €	0902734155	267,60 €
	40	0904160745	249,00 €	0902561578	262,00 €	0902734156	275,30 €
	50	0904160748	254,00 €	0902591004	268,30 €	0902734158	285,30 €
	65	0902156717	309,00 €	0902560975	324,20 €	0902734159	348,90 €
	80	0902156718	359,00 €	0902560976	381,10 €	0902734170	411,00 €
	100	0902156719	394,00 €	0902733476	420,10 €	0902734171	460,00 €
	125	0902156740	1.334,00 €	0903472041	1.384,50 €	0903134711	1.448,90 €
	150	0902156741	1.714,00 €		1.771,90 €		1.855,50 €

Pneumatic AA
1.4404 / AISI 316L

	DN	- EPDM		- HNBR		- FKM	
		Material no.	Price/€	Material no.	Price/€	Material no.	Price/€
	25	0902156748	264,00 €	0903065437	274,80 €	0903644008	287,60 €
	40	0902156749	269,00 €		282,00 €		295,30 €
	50	0902156780	274,00 €		288,30 €		305,30 €
	65	0902156781	299,00 €		314,20 €		338,90 €
	80	0902156782	349,00 €		371,10 €		401,00 €
	100	0902156783	384,00 €		410,10 €		450,00 €
	125	0902156784	1.318,00 €		1.368,50 €		1.432,90 €
	150	0902156785	1.698,00 €		1.755,90 €		1.839,50 €

BUTTERFLY VALVE COMBINATION



Dimensions

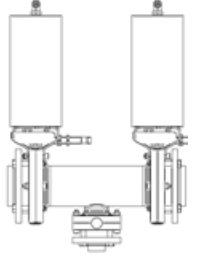
DN	$\varnothing D$ mm	$\varnothing d$ mm	L mm	L1 mm	H mm	H1 mm	alpha °
25	26	26	200	248	66	90	45
40	38	26	220	268	72	96	45
50	50	26	240	288	78	102	45
65	66	26	260	308	89	113	45
80	81	26	280	328	96	120	22,5
100	100	38	300	348	108	132	22,5
125	125	50	503	557	124	148	22,5
150	150	50	578	632	140	164	22,5

Weight

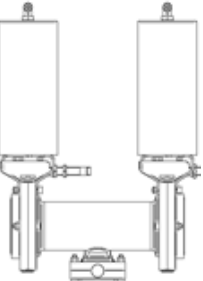
DN	Manual kg	Pneum. NC/NO kg	Pneum. AA kg
25		15,0	
40		16,4	
50		18,6	
65		21,0	
80		23,5	
100		26,2	
125		32,5	
150		38,0	

BUTTERFLY VALVE COMBINATION

Butterfly valve – intermediate flange connection FVF
1.4404 / AISI 316L

	DN	- EPDM		- HNBR		- FKM	
		Material no.	Price/€	Material no.	Price/€	Material no.	Price/€
	25/25/25	0904179174	902,00 €		934,40 €	0903135092	1.005,20 €
	40/40/25	0904179931	934,00 €		970,80 €	0903135093	1.047,00 €
	50/50/25	0904179933	989,00 €		1.028,40 €	0904714911	1.114,60 €
	65/65/25	0904179984	1.081,00 €		1.122,20 €		1.225,60 €
	80/80/25	0904179989	1.191,00 €		1.246,00 €	0904714912	1.373,60 €
	100/100/40	0904180097	1.335,00 €		1.400,20 €		1.558,50 €
	125/125/50	0904180223	3.187,00 €		3.302,30 €		3.563,40 €
	150/150/50	0904180252	4.159,00 €		4.289,10 €		4.603,40 €

Butterfly valve – intermediate flange connection OVO
1.4404 / AISI 316L

	DN	- EPDM		- HNBR		- FKM	
		Material no.	Price/€	Material no.	Price/€	Material no.	Price/€
	25/25/25	0904213335	849,00 €		881,40 €		952,20 €
	40/40/25	0904213388	874,00 €		910,80 €		987,00 €
	50/50/25	0904213492	924,00 €		963,40 €		1.049,60 €
	65/65/25	0904213534	998,00 €		1.039,20 €		1.142,60 €
	80/80/25	0904213535	1.098,00 €		1.153,00 €		1.280,60 €
	100/100/40	0904213597	1.219,00 €		1.284,20 €		1.442,50 €
	125/125/50	0904213598	2.998,00 €		3.113,30 €		3.374,40 €
	150/150/50	0904213599	3.850,00 €		3.980,10 €		4.294,40 €

SPARE PARTS BUTTERFLY VALVE

Seal DN


	DN	EPDM		HNBR		FKM	
		Material no.	Price/€	Material no.	Price/€	Material no.	Price/€
	25	0901796651	10,10 €	0902384283	20,90 €	0902606746	33,70 €
	40	0901796656	11,60 €	0902384288	24,60 €	0902606748	37,90 €
	50	0901796715	12,60 €	0902384303	26,90 €	0902606749	43,90 €
	65	0901796718	14,70 €	0902384305	29,90 €	0902606960	54,60 €
	80	0901796740	20,90 €	0902384306	43,00 €	0902606961	72,90 €
	100	0901796741	22,90 €	0902384307	49,00 €	0902606962	88,90 €
	125	0901995185	45,90 €	0902384308	96,40 €	0902613853	160,80 €
	150	0901995186	56,90 €	0902384309	114,80 €	0902613856	198,40 €

Seal OD

	Inch OD	EPDM		HNBR		FKM	
		Material no.	Price/€	Material no.	Price/€	Material no.	Price/€
	1"	0901796651	10,10 €	0902384283	20,90 €	0902606746	33,70 €
	1,5"	0901796656	11,60 €	0902384288	24,60 €	0902606748	37,90 €
	2"	0901796715	12,60 €	0902384303	26,90 €	0902606749	43,90 €
	2,5"	0902492282	14,70 €	0902492284	29,90 €	0904216465	54,60 €
	3"	0902492283	20,90 €	0902492285	43,00 €	0904216464	72,90 €
	4"	0901796741	22,90 €	0902384307	49,00 €	0902606962	88,90 €
	5"						
	6"	0901995186	56,90 €	0902384309	114,80 €	0902613856	198,40 €

Other seal materials available upon request

Bushing DN

	DN	IGLIDUR	
		Material no.	Price/€
	25	0902541356	2,15 €
	40		
	50		
	65		
	80		
	100	0902541430	3,08 €
	125		
	150		

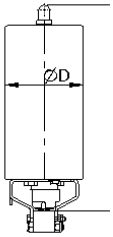
Bushing OD

	Inch OD	IGLIDUR	
		Material no.	Price/€
	1"	0902541356	2,15€
	1,5"		
	2"		
	2,5"		
	3"		
	4"	0902541430	3,08 €
	5"		
	6"		

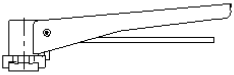
EVOGUARD

Butterfly Valve B

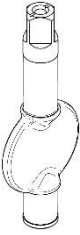
Actuator – not usable for control head

	DN	Pneumatic NC/NO		Pneumatic AA	
		Material no.	Price/€	Material no.	Price/€
	25				
	40	0904151959	221,00 €		211,00 €
	50				
	65				
	80	0901842273	251,00 €	0902085297	241,00 €
	100				
	125	0902235650	598,00 €	0902339175	583,00 €
	150				

Actuating lever

	DN		
		Material no.	Price/€
	25		
	40		
	50	0902159728	26,00 €
	65		
	80		
	100		
	125	0902159760	30,00 €
	150		

Disk DN

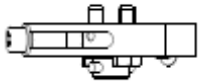
	DN		
		Material no.	Price/€
	25	0901796743	12,10 €
	40	0901796746	14,60 €
	50	0901796749	16,50 €
	65	0901796770	22,80 €
	80	0901796771	30,50 €
	100	0901796772	45,70 €
	125	0901948271	161,00 €
	150	0901948276	195,00 €

Disk OD


	OD		
		Material no.	Price/€
	1"	0901796743	12,10 €
	1,5"	0901796746	14,60 €
	2"	0901796749	16,50 €
	2,5"	0902492242	22,80 €
	3"	0902492243	30,50 €
	4"	0901796772	45,70 €
	5"		
	6"	0901948276	195,00 €

ADDITIONAL EQUIPMENT BUTTERFLY VALVE

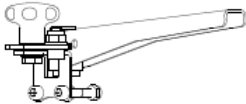
Rotational stop open/close position, only for rotary drive D 85

	DN	Material no.	Price/€
	25	0902834557	170,00 €
40			
50			
65			
80			
100			
125			
150			

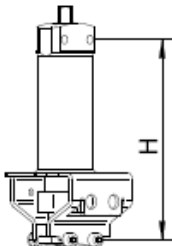
Proximity switch mount for actuating lever

	DN	Material no.	Price/€
	25	0902732145	40,00 €
40			
50			
65			
80			
100			
125	0902732147	70,00 €	
150			

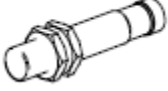
Actuating lever with continuously variable locking device

	DN	Material no.	Price/€
	25	0902477802	97,00 €
40			
50			
65			
80			
100			
125	0902477803	101,00 €	
150			

Actuator extension H = 90 mm

	DN	Material no.	Price/€
	25	0902326527	98,00 €
40			
50			
65			
80			
100			
125	0902771203	102,00 €	
150			

Proximity switch M12x1

	DN	Material no.	Price/€
	25	0901443696	21,20 €
	40		
	50		
	65		
	80		
	100		
	125		
	150		

Control head, 2 proximity switches

	DN	24 V DC 2 proximity switches 1 solenoid valve	24 V DC ASI 2 proximity switches 1 solenoid valve		
		Material no.	Price/€	Material no.	Price/€
	25	0902928158	294,00 €	0904617590	384,00 €
	40				
	50				
	65				
	80				
	100				
	125				
150					

Control head, IO link

	DN	IO link Port class A (4-pole) 1 solenoid valve	IO link Port class B (5-pole) 1 solenoid valve		
		Material no.	Price/€	Material no.	Price/€
	25		790,00 €		860,00 €
	40				
	50				
	65				
	80				
	100				
	125				
150					

Actuator with positioner Samson

DN	3730-1		3730-3 HART		3730-4 PA	
	Material no.	Price/€	Material no.	Price/€	Material no.	Price/€
25	0902691695	1.480,00 €	0903459601	1.950,00 €	0903382079	2.290,00 €
40						
50						
65						
80						
100	0902819335	1.798,00 €	0904000201	2.250,00 €	0903382078	2.690,00 €
125						
150						

Actuator with positioner Siemens

DN	SIPART PS2		SIPART PS2 HART	
	Material no.	Price/€	Material no.	Price/€
25	0904049809	1.480,00 €	0903632341	2.820,00 €
40				
50				
65				
80				
100	0904162100	1.798,00 €	0903631906	3.070,00 €
125				
150				

Further types available upon request

2 Leakage Butterfly Valve BL



INFORMATION

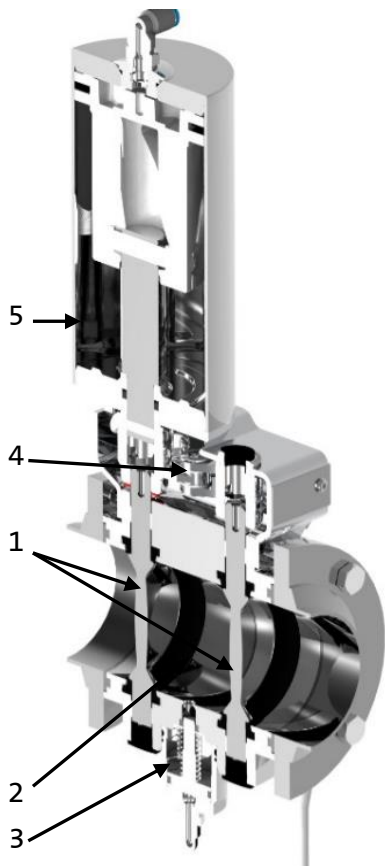
Reliable separation of product rooms and the monitoring of the seals –this is the accomplishment of the EVOGUARD leakage butterfly valve, primarily in CIP applications (cleaning in place). This cost-effective shut-off device is mounted in horizontal lines without horizontal offset. It has a two-disk design; both disk plates are actuated by one actuator via a disk linkage. The integrated safety chamber between the disk plates is equipped with two pneumatic flushing valves, which makes monitoring and cleaning possible.

Any seal defect causes leakage which can be detected at the flushing valve. The seal can then be quickly replaced. All other constructional details of the leakage butterfly valve correspond to those of the butterfly valve. The product separation is reliable and can be monitored.

Extensive testing has been carried out on all of the components to verify the design. For example, the engineers assess the interaction between the seal and the housing or the disk plate, and they also look at the connection to the pneumatic actuator. They pay special attention to safety-related features to ensure that personnel are able to safely handle the valves during production operation.

Design features of modular leakage butterfly valves

- Seal flush against the housing, bevelled seat ensures that the disk opens and closes securely with minimal wear
- Welded, maintenance-free actuator, designed for 1,000,000 cycles
- Shape and composition of the elastomer in accordance with the current state of technology for a reliable sealing performance over the entire temperature range
- Leakage detection with flushing valves
- Specially designed clearance for safe hygiene status at the sealing position
- Drainable safety chamber



- 1 2-disk design
- 2 Safety chamber
- 3 Flushing valve
- 4 Disk linkage
- 5 Actuator

TECHNICAL DATA

Pressures

Product pressure	PN 145 psi (10 bar) / vacuum -13.8 psi (-0.95 bar)
Housing	PN 231 psi (16 bar)
Control air pressure	min. 80 psi (5.5 bar) - max. 115 psi (8 bar)

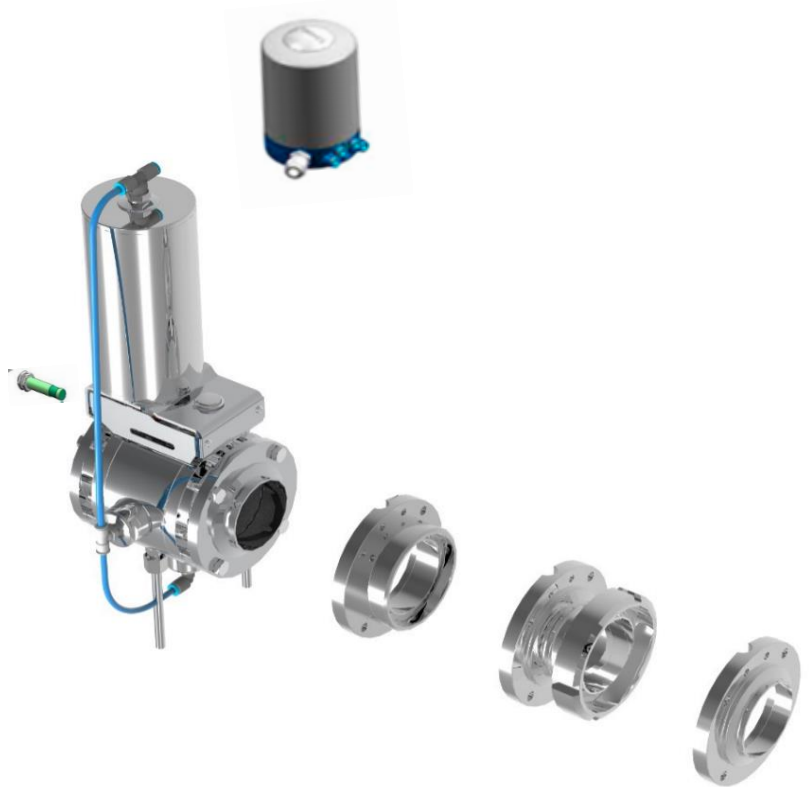
Material

With product contact	1.4404 / AISI 316L
Without product contact	1.4301
Seal	EPDM / FDA Further materials available upon request

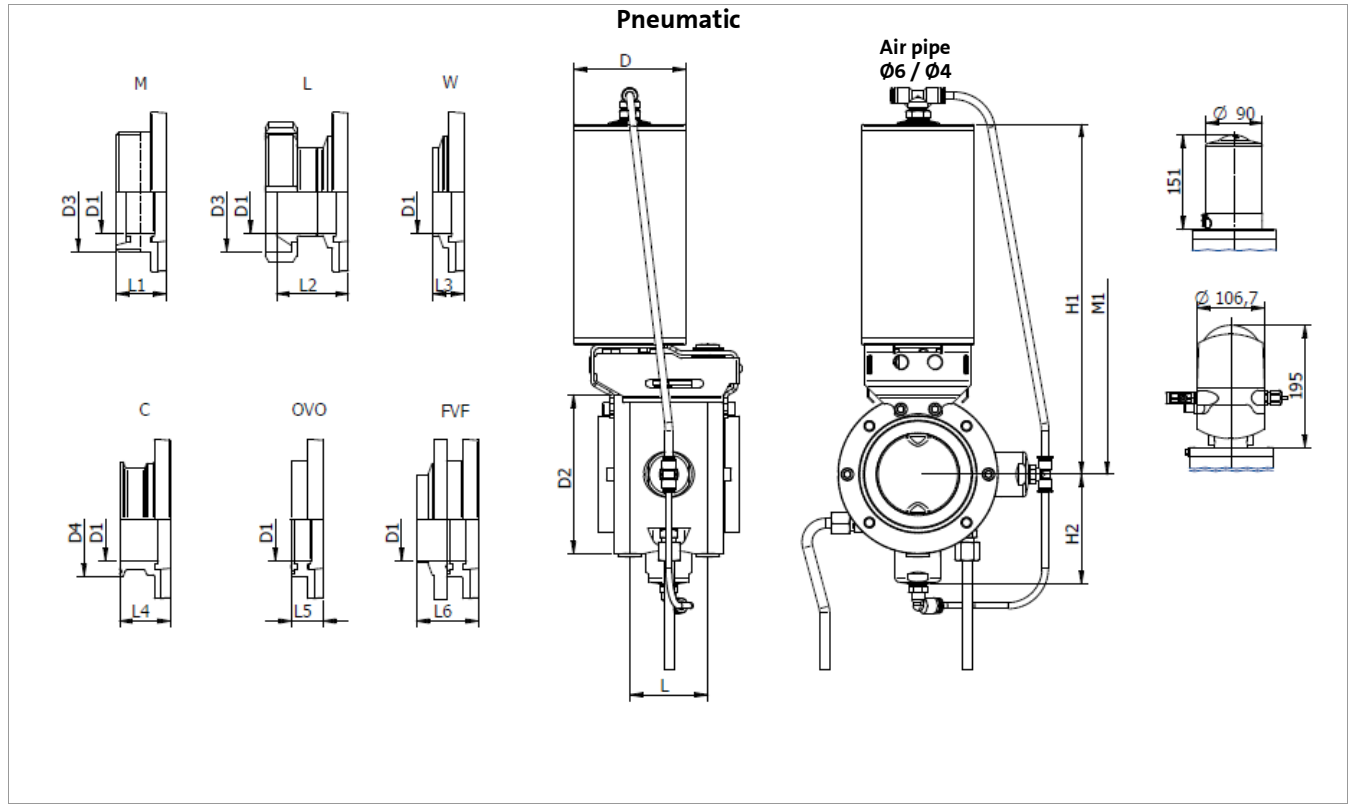
Surface

With product contact	$Ra \leq 0.8 \mu m$
Without product contact	$Ra \leq 1.6 \mu m$

Designs

Valve connection	<p>Intermediate flange Welded end Thread/liner DIN 11851 Clamp ferrule DIN 32676</p> 
Actuator	Pneumatic actuator NC
Additional equipment	Control head Proximity switch M12x1

LEAKAGE BUTTERFLY VALVE BL NC DN

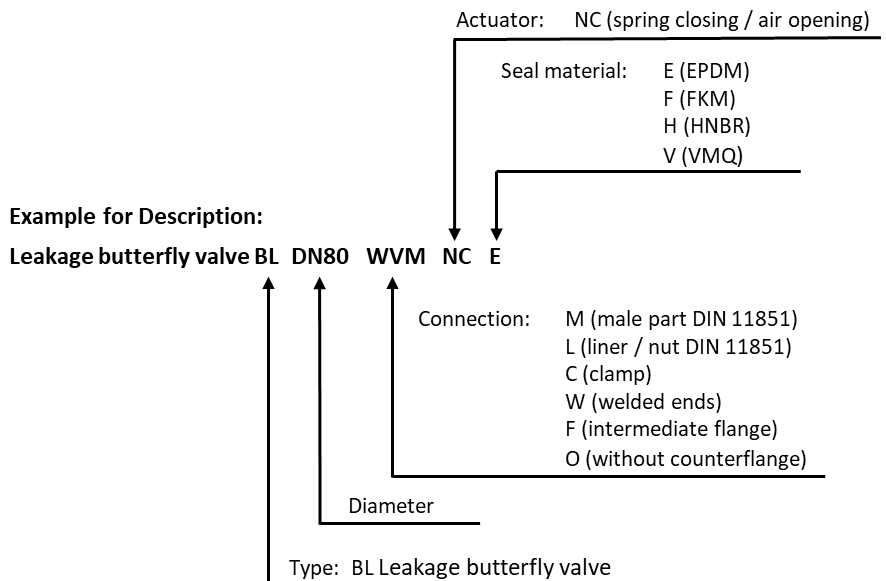


Dimensions

DN	ØD1 mm	ØD2 mm	ØD3 Rd	ØD4 mm	ØD mm	L mm	L1 mm	L2 mm	L3 mm	L4 mm	L5 mm	L6 mm	H1 mm	H2 mm	M1 mm
25	26	83	52x1/6"	50,5	89	62	38	47	25	38	25	49	286	91	317
40	38	99	65x1/6"	50,5	89	62	38	51	25	38	25	49	294	97	326
50	50	109	78x1/6"	64	89	62	38	53	25	38	25	49	300	103	331
65	66	127	95x1/6"	91	89	62	40	57	25	40	25	49	309	111	340
80	81	142	110x1/4"	106	89	62	43	62	25	43	25	49	316	119	347
100	100	162	130x1/4"	119	89	62	43	69	25	43	25	49	326	128	357
125	125	189	160x1/4"	155	114	82	83	71	37	65	27	54	372	173	407
150	150	214	190x1/4"	183	114	82	87	74	37	65	27	54	385	185	419

Weight

DN	Pneum. NC FVF kg	Pneum. NC WVM kg
25	9,1	8,0
40	10,4	9,0
50	11,2	9,6
65	12,9	10,9
80	14,4	12,1
100	16,7	14,0
125	29,4	26,0
150	33,5	29,6



LEAKAGE BUTTERFLY VALVE BL NC DN

Intermediate flange connection (FVF) DN pneumatic NC
1.4404 / AISI 316L

	DN	- EPDM		- HNBR		- FKM	
		Material no.	Price/€	Material no.	Price/€	Material no.	Price/€
	25	0905594462	960,00 €		981,60 €		1.007,20 €
	40	0905597371	985,00 €		1.011,00 €		1.037,60 €
	50	0905537422	1.030,00 €		1.058,60 €		1.092,60 €
	65	0905464337	1.075,00 €		1.105,40 €		1.154,80 €
	80	0905689920	1.250,00 €		1.294,20 €		1.354,00 €
	100	0905594466	1.370,00 €		1.422,20 €		1.502,00 €
	125	0905468425	3.245,00 €		3.346,00 €		3.474,80 €
	150	0905468427	4.270,00 €		4.385,80 €		4.553,00 €

WVW DN pneumatic NC
1.4404 / AISI 316L

	DN	- EPDM		- HNBR		- FKM	
		Material no.	Price/€	Material no.	Price/€	Material no.	Price/€
	25		912,00 €		933,60 €		959,20 €
	40		930,00 €		956,00 €		982,60 €
	50		972,00 €		1000,60 €		1.034,60 €
	65		1.002,00 €		1.032,40 €		1.081,80 €
	80		1.162,00 €		1.206,20 €		1.266,00 €
	100		1.272,00 €		1.324,20 €		1.404,00 €
	125		2.945,00 €		3.046,00 €		3.174,80 €
	150		3.727,00 €		3.842,80 €		4.010,00 €

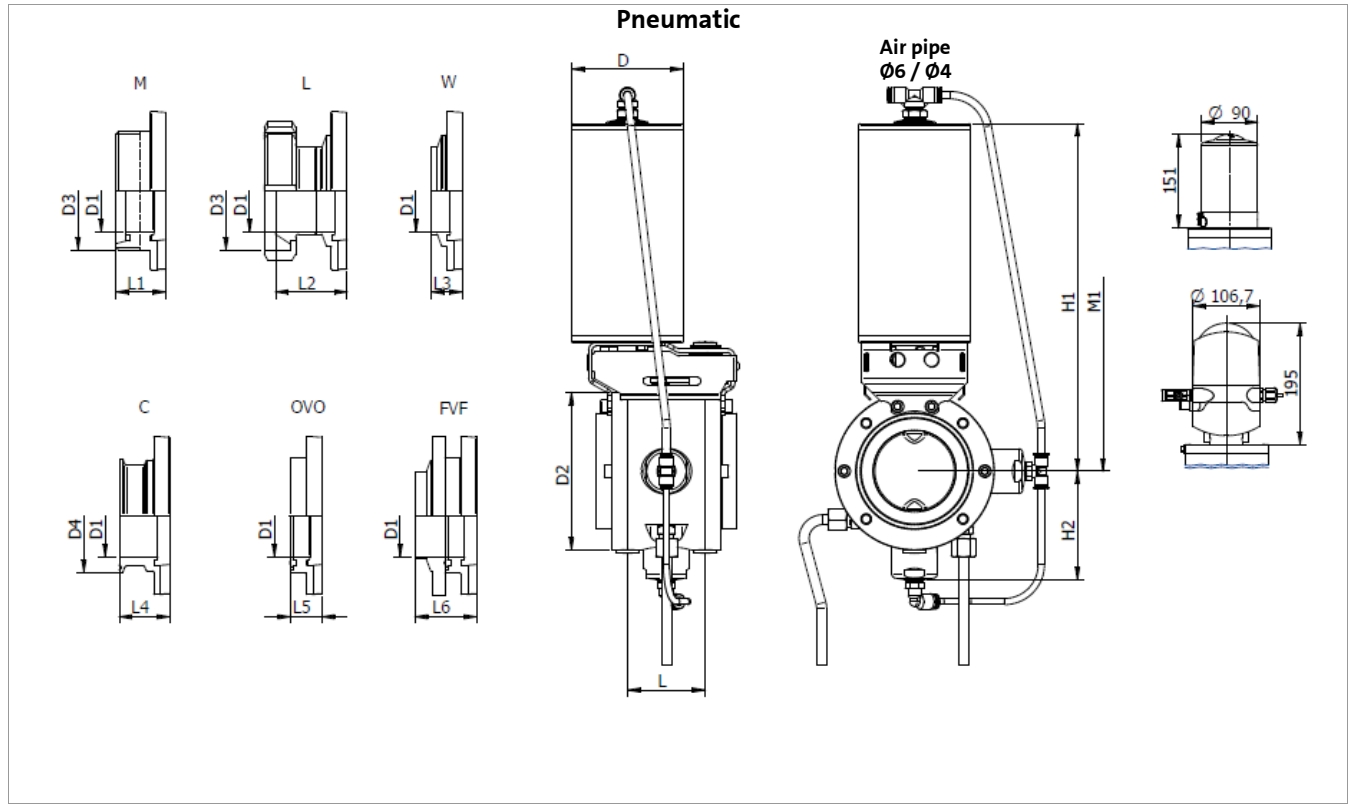
WVM DN pneumatic NC
1.4404 / AISI 316L

	DN	- EPDM		- HNBR		- FKM	
		Material no.	Price/€	Material no.	Price/€	Material no.	Price/€
	25		918,00 €		939,60 €		965,20 €
	40		936,00 €		962,00 €		988,60 €
	50		979,00 €		1.007,60 €		1.041,60 €
	65		1.009,00 €		1.039,40 €		1.088,80 €
	80		1.170,00 €		1.214,20 €		1.274,00 €
	100		1.281,00 €		1.333,20 €		1.413,00 €
	125		2.995,00 €		3.096,00 €		3.224,80 €
	150		3.799,00 €		3.914,80 €		4.082,00 €

OVO DN pneumatic NC
1.4404 / AISI 316L

	DN	- EPDM		- HNBR		- FKM	
		Material no.	Price/€	Material no.	Price/€	Material no.	Price/€
	25		925,00 €		946,60 €		972,20 €
	40		943,00 €		969,00 €		995,60 €
	50		983,00 €		1.011,60 €		1.045,60 €
	65		1.010,00 €		1.040,40 €		1.089,80 €
	80		1.175,00 €		1.219,20 €		1.279,00 €
	100		1.275,00 €		1.327,20 €		1.407,00 €
	125		3.008,00 €		3.109,00 €		3.237,80 €
	150		3.985,00 €		4.100,80 €		4.268,00 €

LEAKAGE BUTTERFLY VALVE BL NC OD



Dimensions

Inch / OD	ØD1 mm	ØD2 mm	ØD3 Rd	ØD4 mm	ØD mm	L mm	L1 mm	L2 mm	L3 mm	L4 mm	L5 mm	L6 mm	H1 mm	H2 mm	M1 mm
1"	22,1	83	52x1/6"	50,5	89	62	38	47	25	38	25	49	286	91	317
1,5"	34,8	99	65x1/6"	50,5	89	62	38	51	25	38	25	49	294	97	326
2"	47,5	109	78x1/6"	64	89	62	38	53	25	38	25	49	300	103	331
2,5"	60,2	127	95x1/6"	77,5	89	62	65		25	40	25	49	308	108	339
3"	72,9	142	104x1/6"	91	89	62	65	57	25	43	25	49	312	115	343
4"	97,38	162	130x1/6"	119	89	62	43	69	25	43	25	49	326	128	357
6"	146,86	214		167	114	82			37	65	27	54	385	185	419

Weight

Inch / OD	Pneum. NC FVF kg	Pneum. NC WVM kg
1"	8,3	7,4
1,5"	9,6	8,5
2"	10,4	9,1
2,5"	12,1	10,5
3"	13,6	11,9
4"	16,0	13,7
6"	33,4	31,2

Example for Description:

Leakage butterfly valve BL 3"OD FVF NC E

Actuator: NC (spring closing / air opening)

Seal material: E (EPDM)
F (FKM)
H (HNBR)
V (VMQ)

Connection: C (clamp)
W (welded ends)
F (intermediate flange)
O (without counterflange)

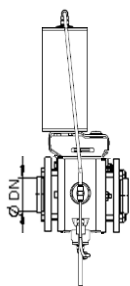
Diameter

Type: BL Leakage butterfly valve

LEAKAGE BUTTERFLY VALVE BL NC OD

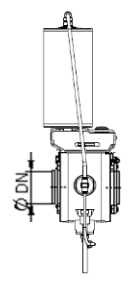
Intermediate flange connection (FVF) OD pneumatic NC
1.4404 / AISI 316L

Inch OD	- EPDM		- HNBR		- FKM	
	Material no.	Price/€	Material no.	Price/€	Material no.	Price/€
1"		960,00 €		981,60 €		1.007,20 €
1,5"		985,00 €		1.011,00 €		1.037,60 €
2"	0905422033	1.030,00 €		1.058,60 €		1.092,60 €
2,5"		1.075,00 €		1.105,40 €		1.154,80 €
3"		1.250,00 €		1.294,20 €		1.354,00 €
4"		1.370,00 €		1.422,20 €		1.502,00 €
6"		4.270,00 €		4.385,80 €		4.553,00 €



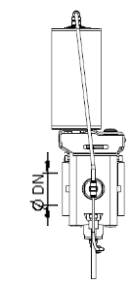
WWV OD pneumatic NC
1.4404 / AISI 316L

Inch OD	- EPDM		- HNBR		- FKM	
	Material no.	Price/€	Material no.	Price/€	Material no.	Price/€
1"		912,00 €		933,60 €		959,20 €
1,5"		930,00 €		956,00 €		982,60 €
2"		972,00 €		1.000,60 €		1.034,60 €
2,5"	0905398278	1.002,00 €		1.032,40 €		1.081,80 €
3"		1.162,00 €		1.206,20 €		1.266,00 €
4"		1.272,00 €		1.324,20 €		1.404,00 €
6"		3.727,00 €		3.842,80 €		4.010,00 €



OVO OD pneumatic NC
1.4404 / AISI 316L

Inch OD	- EPDM		- HNBR		- FKM	
	Material no.	Price/€	Material no.	Price/€	Material no.	Price/€
1"		925,00 €		946,60 €		972,20 €
1,5"		943,00 €		969,00 €		995,60 €
2"		983,00 €		1.011,60 €		1.045,60 €
2,5"		1.010,00 €		1.040,40 €		1.089,80 €
3"		1.175,00 €		1.219,20 €		1.279,00 €
4"		1.275,00 €		1.327,20 €		1.407,00 €
6"		3.985,00 €		4.100,80 €		4.268,00 €



SPARE PARTS LEAKAGE BUTTERFLY VALVE

Bushing DN

DN	IGLIDUR	
	Material no.	Price/€
25	0902541356	2,15 €
40		
50		
65		
80		
100	0902541430	3,08 €
125		
150		

Bushing OD

Inch OD	IGLIDUR	
	Material no.	Price/€
1"	0902541356	2,15€
1,5"		
2"		
2,5"		
3"		
4"	0902541430	3,08 €
6"		

Seal kit, complete, with product contact DN, connection O, F

DN	EPDM		HNBR		FKM	
	Material no.	Price/€	Material no.	Price/€	Material no.	Price/€
25	0905473602	37,30 €		74,60 €		111,90 €
40	0905473603	40,40 €		80,80 €		121,20 €
50	0905473604	43,30 €		86,60 €		129,90 €
65	0905473605	48,60 €		97,20 €		145,80 €
80	0905473606	62,00 €		124,00 €		186,00 €
100	0905473607	72,20 €		144,40 €		216,60 €
125	0905495982	134,70 €		269,40 €		404,10 €
150	0905495983	167,80 €		335,60 €		503,40 €

Seal kit, complete, with product contact OD, connection O, F

Inch OD	EPDM		HNBR		FKM	
	Material no.	Price/€	Material no.	Price/€	Material no.	Price/€
1"	0905473608	37,30 €		74,60 €		111,90 €
1,5"	0905473640	40,30 €		80,60 €		120,90 €
2"	0905473641	42,30 €		84,60 €		126,90 €
2,5"	0905473642	46,50 €		93,00 €		139,50 €
3"	0905473643	58,90 €		117,80 €		176,70 €
4"	0905473644	62,90 €		125,80 €		188,70 €
6"	0905495983	167,80 €		335,60 €		503,40 €

EVOGUARD

Leakage Butterfly Valve BL

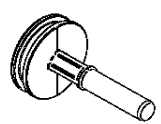
Seal kit, complete, with product contact DN, connection M, L, C, W

	DN	EPDM		HNBR		FKM	
		Material no.	Price/€	Material no.	Price/€	Material no.	Price/€
	25	0905473763	33,20 €		66,40 €		99,60 €
	40	0905473765	36,20 €		72,40 €		108,60 €
	50	0905473767	38,20 €		76,40 €		114,60 €
	65	0905473768	42,40 €		84,80 €		127,20 €
	80	0905473800	54,80 €		109,60 €		164,40 €
	100	0905473801	58,80 €		117,60 €		176,40 €
	125	0905496584	111,80 €		223,60 €		335,40 €
	150	0905496585	133,80 €		267,60 €		401,40 €


Seal kit, complete, with product contact OD, connection C, W

	Inch OD	EPDM		HNBR		FKM	
		Material no.	Price/€	Material no.	Price/€	Material no.	Price/€
	1"	0905473763	33,20 €		66,40 €		99,60 €
	1,5"	0905473765	36,20 €		72,40 €		108,60 €
	2"	0905473767	38,20 €		76,40 €		114,60 €
	2,5"	0905473802	42,40 €		84,80 €		127,20 €
	3"	0905473803	54,80 €		109,60 €		164,40 €
	4"	0905473801	58,80 €		117,60 €		176,40 €
	6"	0905496585	133,80 €		267,60 €		401,40 €

Piston for flushing valve

	DN		
		Material no.	Price/€
	25	0905150294	19,00 €
	40		
	50		
	65		
	80		
	100	0902764613	34,00 €
	125		
	150		

Disk DN


	DN		
		Material no.	Price/€
	25	0901796743	12,10 €
	40	0901796746	14,60 €
	50	0901796749	16,50 €
	65	0901796770	22,80 €
	80	0901796771	30,50 €
	100	0901796772	45,70 €
	125	0901948271	161,00 €
	150	0901948276	195,00 €

Disk OD

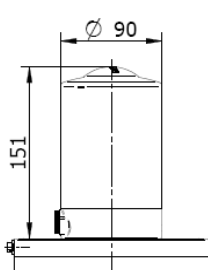
	Inch OD		
		Material no.	Price/€
	1"	0901796743	12,10 €
	1,5"	0901796746	14,60 €
	2"	0901796749	16,50 €
	2,5"	0902492242	22,80 €
	3"	0902492243	30,50 €
	4"	0901796772	45,70 €
	6"	0901948276	195,00 €

ADDITIONAL EQUIPMENT LEAKAGE BUTTERFLY VALVE

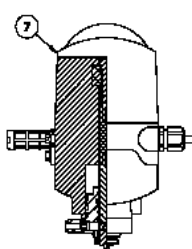
Proximity switch M12x1

	DN	Material no.	Price/€
	25	0901443696	21,20 €
	40		
	50		
	65		
	80		
	100		
	125		
	150		

Control head, 2 proximity switches

	DN	24 V DC 2 proximity switches 1 solenoid valve		24 V DC ASI 2 proximity switches 1 solenoid valve	
		Material no.	Price/€	Material no.	Price/€
	25	0902928158	294,00 €	0904617590	384,00 €
	40				
	50				
	65				
	80				
	100				
	125				
150					

Control head, IO link

	DN	IO link Port class A (4-pole) 1 solenoid valve		IO link Port class B (5-pole) 1 solenoid valve	
		Material no.	Price/€	Material no.	Price/€
	25		790,00 €		860,00 €
	40				
	50				
	65				
	80				
	100				
	125				
150					

3 Seat Valve S



INFORMATION

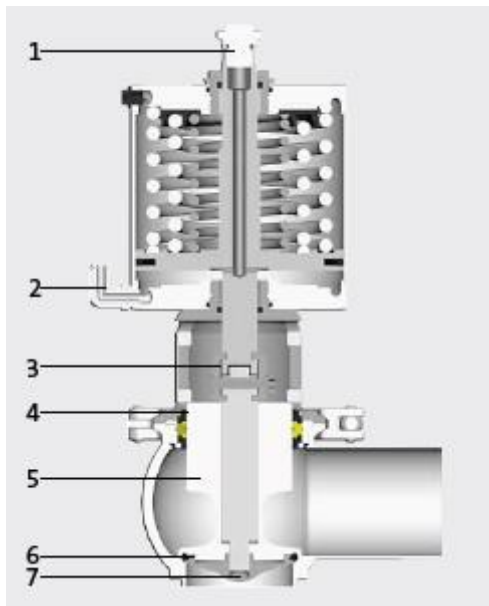
Flow control is a major aspect of beverage production. Durable, high-grade valves are needed for typical operations such as redirection, shutting off of product flows and tank discharge.

Once again, careful attention must be paid to the seal, because the seal configuration and clearance have a major impact on the safety and reliability of the production process. Long service life and ease of replacement are further important factors to take into consideration when selecting a valve technique.

Single seat EVOGUARD valves are designed to deliver high performance during day-to-day operation. The configuration of the valve disk with balancer minimises damage caused by hammering to valves that close in the direction of flow. The metal stop on the valve disk and the positioning of the seal prevent excessive stress on the seal. Optimal compliance with hygienic design is another outstanding feature of the valves.

Design features of modular seat valves

- Seal geometry optimized for all applicable process conditions
- Two-piece threaded valve disk with defined clearance for the seal enhances ease of installation
- Actuator size matched to product pressure
- Rotational decoupling on linkage between valve shaft and drive for torsion-free lift motion of the valve disk
- Shaft seal with wiper function protects against contamination ingress
- External air fitting supplied as standard feature
- Internal airflow when a control head is used



- 1 Internal airflow on version with control head
- 2 External air connection
- 3 Valve shaft connection with rotational decoupling
- 4 Shaft seal with wiper function
- 5 Valve disk with balancer
- 6 Metal stop
- 7 Two-piece valve disk, threaded

TECHNICAL DATA

Pressures

Product pressure	PN 87 psi (6 bar), 145 psi (10 bar), 330 psi (22.7 bar) / vacuum -13.8 psi (-0.95 bar)
Housing	PN 360 psi (25 bar)
Control air pressure	min. 87 psi (6 bar) - max. 115 psi (8 bar)

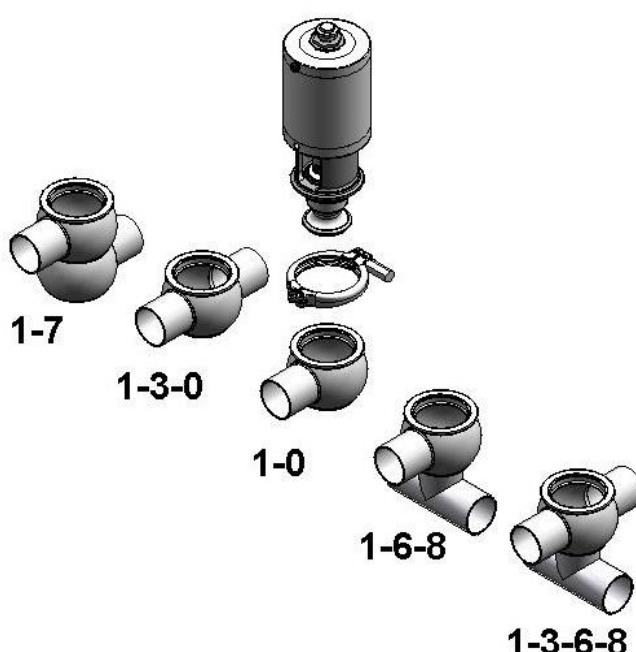
Material

With product contact	1.4404 / AISI 316L
Without product contact	1.4301
Seal	EPDM / FDA Other materials available upon request

Surface

With product contact	Ra ≤ 0.8 μ
Without product contact	Ra ≤ 1.6 μ

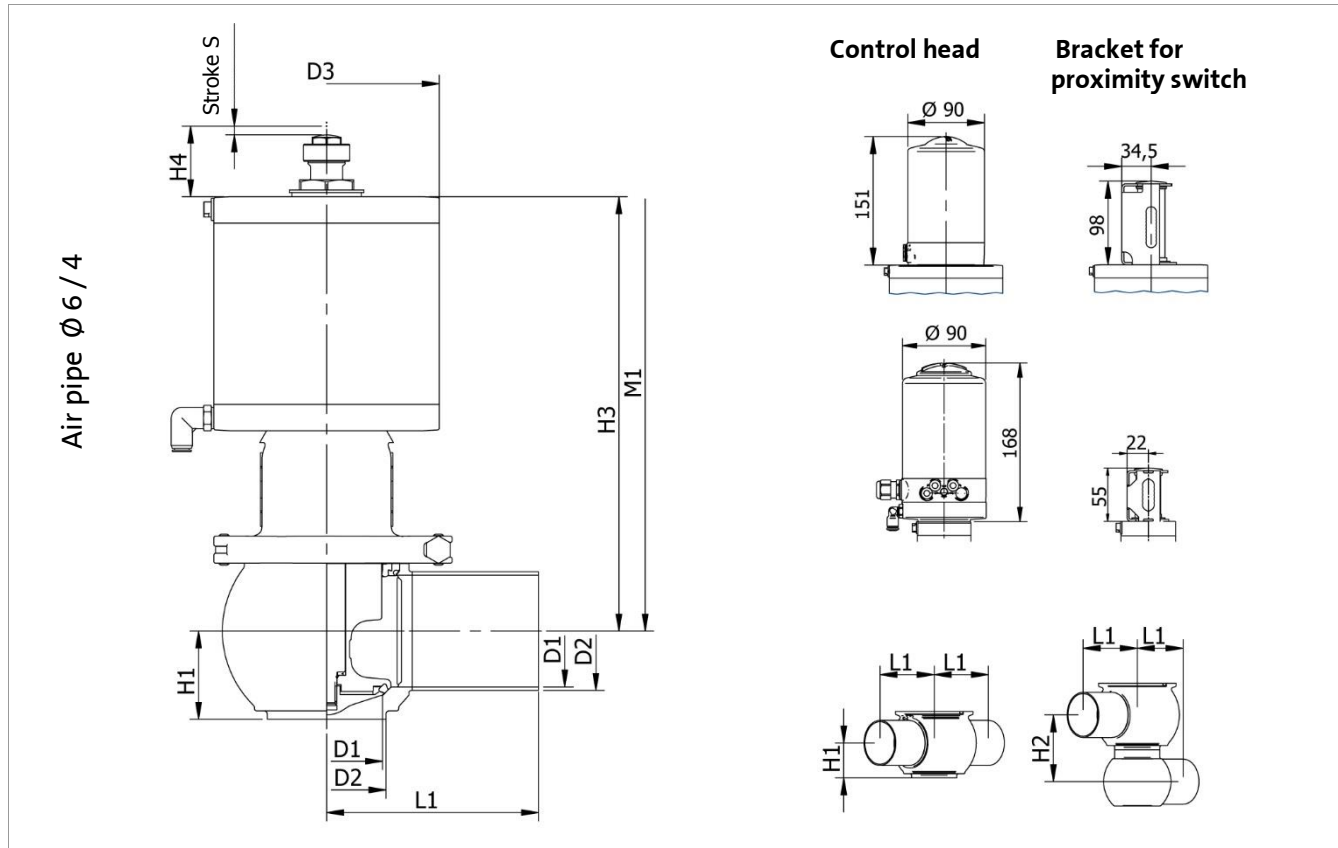
Designs

Housing versions	
Actuator	Pneumatic drive NC/NO/AA Manual actuator
Additional equipment	Control head Proximity switch M12x1

According to legal requirements
EU Pressure Equipment Directive 2014/68/EU
EU Machinery Directive 2006/42/EC
Design check by TÜV Süd



SEAT VALVE S NC DN



Dimensions

DN	ØD1 mm	ØD2 mm	ØD3 PN6 mm	ØD3 PN10 mm	L1 mm	H1 mm	H2 mm	H3 PN6 mm	H3 PN10 mm	H4 PN6 mm	H4 PN10 mm	M1 PN6 mm	M1 PN10 mm	Stroke mm
10	10	13		57	50	21			130,5	33	33		209	4
15	16	19		57	60	25			133,5	37	37		219	8
20	20	23	57	74	60	25		135,5	154,5	37	37	226	245	8
25	26	29	57	74	90	28,5		141	160	37	37	237	256	8
40	38	41		108	90	39	62		238		63		375	12
50	50	53		108	90	41	71		244		63		386	18
65	66	70	108	133	125	52	92	256	256	63	63	415	415	20
80	81	85	133	173	125	60	107,5	280	336	63	86	452	532	23
100	100	104	173	216	125	70	128	355	355	86	86	567	567	30
125	125	129	216	216	150	82	156	378	596	86	86	610	828	35
150	150	154	216	216	150									

Weight

DN	1-0 PN6 kg	1-0 PN10 kg
10		1,9
15		1,9
20	1,9	2,7
25	2,3	3,0
40	8,2	8,2
50	8,3	8,3
65	10,6	13
80	15,8	23,8
100	28,8	40,2
125	48,9	48,9
150		

Actuator: NC (spring closing / air opening)
 NO (air closing / spring opening)
 AA (air opening / air closing)
 MA (manual)

Seal material: E (EPDM)
 F (FKM)
 H (HNBR)

Example for Description
 Seat Valve S DN80 130 NC E

Housing: 1-0
 1-3-0
 1-6-8
 1-3-6-8

Diameter

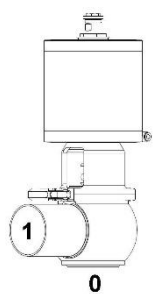
Type: S Seat Valve

SEAT VALVE S NC PRODUCT PRESSURE 6 BAR DN

Including switch mount for proximity switch

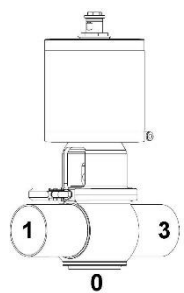
1-0
1.4404 / AISI 316L

DN	- EPDM		- HNBR		- FKM	
	Material no.	Price/€	Material no.	Price/€	Material no.	Price/€
10		520,00 €		540,00 €		560,00 €
15		530,00 €		553,00 €		576,00 €
20		598,00 €		623,00 €		648,00 €
25		837,00 €		866,00 €		895,00 €
40		897,00 €		928,50 €		960,00 €
50	0902539834	937,00 €		968,50 €		1.000,00 €
65	0903007942	1.267,00 €		1.306,00 €	0902841911	1.345,00 €
80	0902952706	1.717,00 €		1.763,00 €		1.809,00 €
100	0902061902	2.017,00 €		2.073,00 €	0902843259	2.129,00 €
125	0902238712	4.497,00 €		4.586,00 €	0903036574	4.675,00 €
150	0902266671	5.597,00 €		5.692,00 €		5.795,00 €



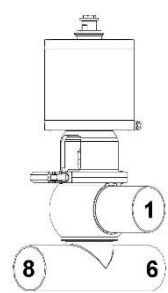
1-3-0
1.4404 / AISI 316L

DN	- EPDM		- HNBR		- FKM	
	Material no.	Price/€	Material no.	Price/€	Material no.	Price/€
10		580,00 €		600,00 €		620,00 €
15		590,00 €		613,00 €		636,00 €
20		663,00 €		688,00 €		713,00 €
25		908,00 €		937,00 €		966,00 €
40		977,00 €		1.008,50 €		1.040,00 €
50		1.021,00 €		1.052,50 €		1.084,00 €
65	0903008028	1.361,00 €		1.400,00 €		1.439,00 €
80	0903543836	1.822,00 €		1.868,00 €		1.914,00 €
100	0902420452	2.141,00 €		2.197,00 €		2.253,00 €
125	0902420544	4.640,00 €		4.729,00 €	0903036608	4.818,00 €
150	0902420648	5.756,00 €		5.851,00 €		5.954,00 €



1-6-8
1.4404 / AISI 316L

DN	- EPDM		- HNBR		- FKM	
	Material no.	Price/€	Material no.	Price/€	Material no.	Price/€
10		640,00 €		660,00 €		680,00 €
15		650,00 €		673,00 €		696,00 €
20		728,00 €		753,00 €		778,00 €
25		979,00 €		1.008,00 €		1.037,00 €
40		1.057,00 €		1.088,50 €		1.120,00 €
50		1.105,00 €		1.136,50 €		1.168,00 €
65		1.455,00 €		1.494,00 €		1.533,00 €
80		1.927,00 €		1.973,00 €		2.019,00 €
100	0902423135	2.265,00 €		2.321,00 €		2.377,00 €
125	0902423292	4.783,00 €		4.872,00 €		4.961,00 €
150	0902423372	5.915,00 €		6.010,00 €		6.104,00 €

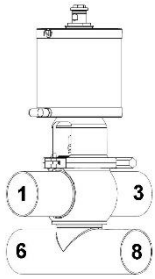


EVOGUARD

Seat Valve S

1-3-6-8
1.4404 / AISI 316L

DN	- EPDM		- HNBR		- FKM	
	Material no.	Price/€	Material no.	Price/€	Material no.	Price/€
10						
15						
20						
25						
40						
50						
65	0904344599	1.549,00 €		1.588,00 €		1.627,00 €
80		2.032,00 €		2.078,00 €		2.124,00 €
100	0902420504	2.389,00 €		2.445,00 €		2.501,00 €
125	0902420578	4.926,00 €		5.015,00 €		5.104,00 €
150	0902420759	6.074,00 €		6.169,00 €		6.263,00 €

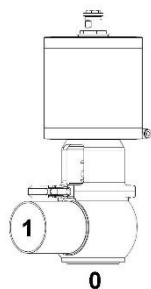


SEAT VALVE S NC PRODUCT PRESSURE 10 BAR DN

Including switch mount for proximity switch

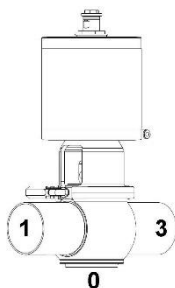
1-0
1.4404 / AISI 316L

DN	- EPDM		- HNBR		- FKM	
	Material no.	Price/€	Material no.	Price/€	Material no.	Price/€
10		690,00 €		710,00 €		730,00 €
15	0903329860	700,00 €		723,00 €		746,00 €
20	0904383735	785,00 €		810,00 €		835,00 €
25	0902061739	985,00 €		1.014,00 €		1.043,00 €
40	0902233620	1.057,00 €		1.088,50 €	0902843655	1.120,00 €
50	0902234029	1.105,00 €	0903738544	1.136,50 €	0903241573	1.168,00 €
65	0901925447	1.501,00 €	0903738435	1.540,00 €	0903241678	1.579,00 €
80	0902237855	2.041,00 €	0903738390	2.087,00 €	0902842182	2.133,00 €
100	0903131868	2.401,00 €		2.457,00 €		2.513,00 €
125	0904394934	5.377,00 €		5.466,00 €		5.555,00 €
150		6.697,00 €		6.792,00 €		6.886,00 €



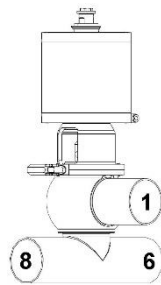
1-3-0
1.4404 / AISI 316L

DN	- EPDM		- HNBR		- FKM	
	Material no.	Price/€	Material no.	Price/€	Material no.	Price/€
10		750,00 €		770,00 €		790,00 €
15	0905428257	760,00 €		783,00 €		806,00 €
20		850,00 €		875,00 €		900,00 €
25	0902419586	1.056,00 €		1.085,00 €		1.114,00 €
40	0902419718	1.137,00 €		1.168,50 €	0902977536	1.200,00 €
50	0902419911	1.189,00 €		1.220,50 €	0903123403	1.252,00 €
65	0902420103	1.595,00 €		1.634,00 €	0903561980	1.673,00 €
80	0902420197	2.146,00 €		2.192,00 €		2.238,00 €
100	0903543596	2.525,00 €		2.581,00 €		2.637,00 €
125		5.520,00 €		5.609,00 €		5.698,00 €
150		6.856,00 €		6.951,00 €		7.045,00 €



1-6-8
1.4404 / AISI 316L

DN	- EPDM		- HNBR		- FKM	
	Material no.	Price/€	Material no.	Price/€	Material no.	Price/€
10		810,00 €		830,00 €		850,00 €
15		820,00 €		843,00 €		866,00 €
20		915,00 €		940,00 €		965,00 €
25	0902422329	1.127,00 €		1.156,00 €		1.185,00 €
40	0902422771	1.217,00 €		1.248,50 €	0903173503	1.280,00 €
50	0902422860	1.273,00 €		1.304,50 €		1.336,00 €
65	0902422869	1.689,00 €		1.728,00 €		1.767,00 €
80	0902423053	2.251,00 €		2.297,00 €		2.343,00 €
100		2.649,00 €		2.705,00 €		2.761,00 €
125		5.663,00 €		5.752,00 €		5.841,00 €
150		7.015,00 €		7.110,00 €		7.204,00 €

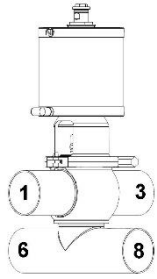


EVOGUARD

Seat Valve S

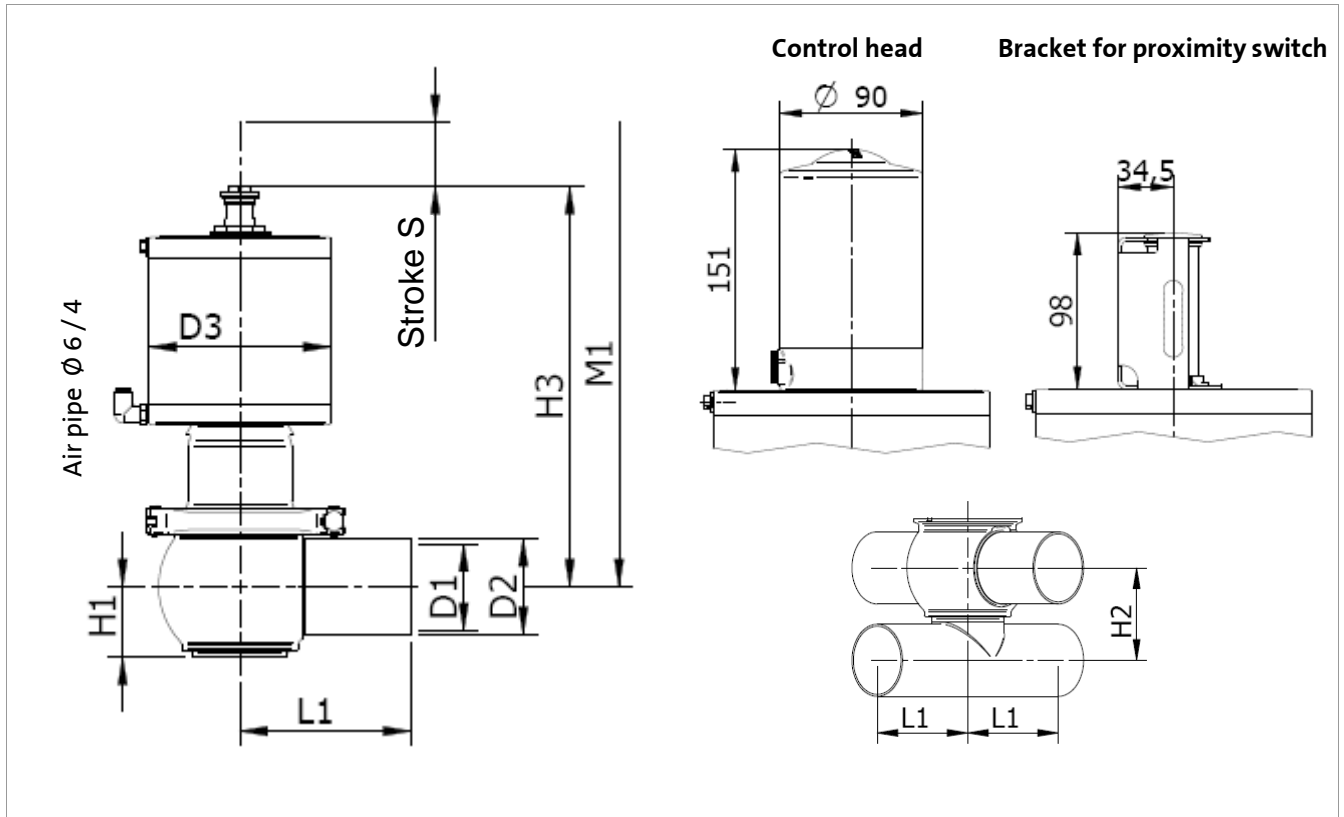
1-3-6-8
1.4404 / AISI 316L

DN	- EPDM		- HNBR		- FKM	
	Material no.	Price/€	Material no.	Price/€	Material no.	Price/€
10		870,00 €		890,00 €		910,00 €
15	0905428669	880,00 €		903,00 €		926,00 €
20		980,00 €		1.005,00 €		1.030,00 €
25	0902419648	1.198,00 €		1.227,00 €		1.256,00 €
40	0902419759	1.297,00 €		1.328,50 €		1.360,00 €
50	0902419919	1.357,00 €		1.388,50 €	0904087086	1.420,00 €
65	0902420141	1.783,00 €		1.822,00 €	0904086972	1.861,00 €
80	0902420374	2.356,00 €		2.402,00 €	0902842203	2.448,00 €
100		2.773,00 €		2.829,00 €		2.885,00 €
125		5.806,00 €		5.895,00 €		5.984,00 €
150		7.174,00 €		7.269,00 €		7.363,00 €



Further types available upon request

SEAT VALVE S NC OD



Dimensions

Inch OD	ØD1 mm	ØD2 mm	ØD3 6 bar mm	ØD3 10 bar mm	L1 mm	H1 mm	H2 mm	H3 mm	M1 mm	Stroke mm
1"	22,1	25,4		89	90	31	50	284	350	9
1,5"	34,8	38,1		108	90	39	62	284	400	12
2"	47,5	50,8		108	90	41	70	284	400	18
2,5"	60,2	63,5	108	133	125	52	90	293	440	20
3"	76,2	72,9	133	173	125	60	105	314	450	23
4"	97,38	101,6	173	216	125	70	125	397	580	30
5"										
6"	146,9	152,4	216	216	150	95	175	637	850	42

Weight

Inch OD	1-0 kg	1-3-0 kg	1-6-8 kg	1-3-6-8 kg
1"	5,2			
1,5"	8,7			
2"	8,8			
2,5"	13,5			
3"	23,6			
4"	26,8			
5"				
6"	51,8			

Actuator: NC (spring closing / air opening)
NO (air closing / spring opening)
AA (air opening / air closing)
MA (manual)

Seal material: E (EPDM)
F (FKM)
H (HNBR)

Example for Description
Seat Valve S 3"OD 130 NC E

Housing: 1-0
1-3-0
1-6-8
1-3-6-8

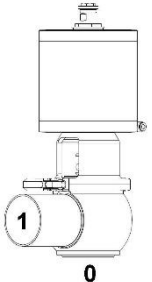
Diameter

Type: S Seat Valve

SEAT VALVE S NC PRODUCT PRESSURE 6 BAR OD

Including switch mount for proximity switch

1-0
1.4404 / AISI 316L

	Inch OD	- EPDM		- HNBR		- FKM	
		Material no.	Price/€	Material no.	Price/€	Material no.	Price/€
1"							
1,5"							
2"							
2,5"			1.267,00 €		1.306,00 €		1.345,00 €
3"			1.717,00 €		1.763,00 €		1.809,00 €
4"		0903317302	2.017,00 €		2.073,00 €		2.129,00 €
5"							
6"			5.597,00 €		5.692,00 €		5.786,00 €

1-3-0
1.4404 / AISI 316L

	Inch OD	- EPDM		- HNBR		- FKM	
		Material no.	Price/€	Material no.	Price/€	Material no.	Price/€
1"							
1,5"							
2"							
2,5"			1.361,00 €		1.400,00 €		1.439,00 €
3"			1.822,00 €		1.868,00 €		1.914,00 €
4"			2.141,00 €		2.197,00 €		2.253,00 €
5"							
6"			5.756,00 €		5.851,00 €		5.954,00 €

1-6-8
1.4404 / AISI 316L

	Inch OD	- EPDM		- HNBR		- FKM	
		Material no.	Price/€	Material no.	Price/€	Material no.	Price/€
1"							
1,5"							
2"							
2,5"			1.455,00 €		1.494,00 €		1.533,00 €
3"			1.927,00 €		1.973,00 €		2.019,00 €
4"			2.265,00 €		2.321,00 €		2.377,00 €
5"							
6"			5.915,00 €		6.010,00 €		6.104,00 €

1-3-6-8
1.4404 / AISI 316L

	Inch OD	- EPDM		- HNBR		- FKM	
		Material no.	Price/€	Material no.	Price/€	Material no.	Price/€
1"							
1,5"							
2"							
2,5"			1.549,00 €		1.588,00 €		1.627,00 €
3"			2.032,00 €		2.078,00 €		2.124,00 €
4"			2.389,00 €		2.445,00 €		2.501,00 €
5"							
6"			6.074,00 €		6.169,00 €		6.263,00 €

SEAT VALVE S NC PRODUCT PRESSURE 10 BAR OD

Including switch mount for proximity switch

1-0
1.4404 / AISI 316L

Inch OD	- EPDM		- HNBR		- FKM	
	Material no.	Price/€	Material no.	Price/€	Material no.	Price/€
1"	0904117789	985,00 €		1.014,00 €		1.043,00 €
1,5"		1.057,00 €		1.088,50 €		1.120,00 €
2"	0903777969	1.105,00 €		1.136,50 €		1.168,00 €
2,5"	0903778051	1.501,00 €		1.540,00 €		1.579,00 €
3"	0903317059	2.041,00 €		2.087,00 €		2.133,00 €
4"		2.401,00 €		2.457,00 €		2.513,00 €
5"						
6"		6.697,00 €		6.792,00 €		6.886,00 €

1-3-0
1.4404 / AISI 316L

Inch OD	- EPDM		- HNBR		- FKM	
	Material no.	Price/€	Material no.	Price/€	Material no.	Price/€
1"		1.056,00 €		1.085,00 €		1.114,00 €
1,5"	0904670873	1.137,00 €		1.168,50 €		1.200,00 €
2"	0904673519	1.189,00 €		1.220,50 €		1.252,00 €
2,5"		1.595,00 €		1.634,00 €		1.673,00 €
3"	0903317110	2.146,00 €		2.192,00 €		2.238,00 €
4"		2.525,00 €		2.581,00 €		2.637,00 €
5"						
6"		6.856,00 €		6.951,00 €		7.045,00 €

1-6-8
1.4404 / AISI 316L

Inch OD	- EPDM		- HNBR		- FKM	
	Material no.	Price/€	Material no.	Price/€	Material no.	Price/€
1"		1.127,00 €		1.156,00 €		1.185,00 €
1,5"		1.217,00 €		1.248,50 €		1.280,00 €
2"		1.273,00 €		1.304,50 €		1.336,00 €
2,5"		1.689,00 €		1.728,00 €		1.767,00 €
3"		2.251,00 €		2.297,00 €		2.343,00 €
4"		2.649,00 €		2.705,00 €		2.761,00 €
5"						
6"		7.015,00 €		7.110,00 €		7.204,00 €

1-3-6-8
1.4404 / AISI 316L

Inch OD	- EPDM		- HNBR		- FKM	
	Material no.	Price/€	Material no.	Price/€	Material no.	Price/€
1"		1.198,00 €		1.227,00 €		1.256,00 €
1,5"		1.297,00 €		1.328,50 €		1.360,00 €
2"		1.357,00 €		1.388,50 €		1.420,00 €
2,5"		1.783,00 €		1.822,00 €		1.861,00 €
3"	0903317111	2.356,00 €		2.402,00 €		2.448,00 €
4"		2.773,00 €		2.829,00 €		2.885,00 €
5"						
6"		7.174,00 €		7.269,00 €		7.363,00 €

Further types available upon request

SPARE PARTS SEAT VALVE S

Seal kit with product contact DN

DN	EPDM		HNBR		FKM	
	Material no.	Price/€	Material no.	Price/€	Material no.	Price/€
10		41,00 €		65,00 €		89,00 €
15	0903063931	41,00 €		65,00 €		89,00 €
20	0903063932	41,00 €		65,00 €		89,00 €
25	0902517097	41,00 €	0903894261	65,00 €	0902843849	89,00 €
40	0902517098	44,00 €	0903894262	70,50 €	0902843920	97,00 €
50	0902517098	44,00 €	0903894262	70,50 €	0902843920	97,00 €
65	0902517099	49,00 €	0903894263	83,00 €	0902843921	117,00 €
80	0902517110	56,00 €	0903894264	97,00 €	0902843922	138,00 €
100	0902517111	66,00 €	0903894265	117,00 €	0902843923	168,00 €
125	0902517112	99,00 €	0903894402	183,00 €	0902843924	267,00 €
150	0902517113	149,00 €	0903894400	223,00 €	0902843925	297,00 €

Seal kit with product contact OD

Inch OD	EPDM		HNBR		FKM	
	Material no.	Price/€	Material no.	Price/€	Material no.	Price/€
1"	0902517097	41,00 €	0903894261	65,00 €	0902843849	89,00 €
1,5"	0902517098	44,00 €	0903894262	70,50 €	0902843920	97,00 €
2"	0902517098	44,00 €	0903894262	70,50 €	0902843920	97,00 €
2,5"	0902517099	49,00 €	0903894263	83,00 €	0902843921	117,00 €
3"	0902517110	56,00 €	0903894264	97,00 €	0902843922	138,00 €
4"	0902517111	66,00 €	0903894265	117,00 €	0902843923	168,00 €
5"						
6"	0902517113	149,00 €	0903894400	223,00 €	0902843925	297,00 €

Seal kit, actuator

DN	Material no.		Price/€	
10				
15	0905047406		8,80 €	
20				
25				
40				
50				
65	0902517095		8,80 €	
80				
100				
125				
150				

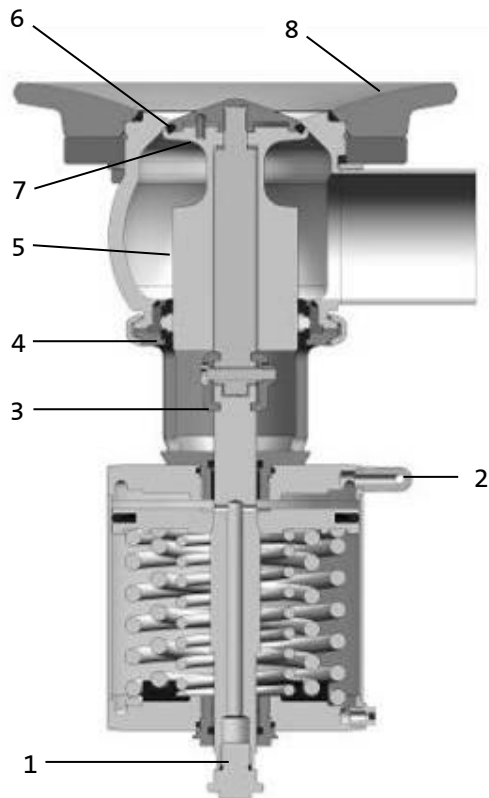
Bearing set

DN	Material no.		Price/€	
10	0903063891		32,00 €	
15	0903063891		32,00 €	
20	0903063891		32,00 €	
25	0902517063		29,00 €	
40	0902517066		33,00 €	
50	0902517066		33,00 €	
65	0902517067		39,00 €	
80	0902517069		48,00 €	
100	0902517092		57,00 €	
125	0902517093		77,00 €	
150	0902517094		178,00 €	

TANK OUTLET VALVE ST

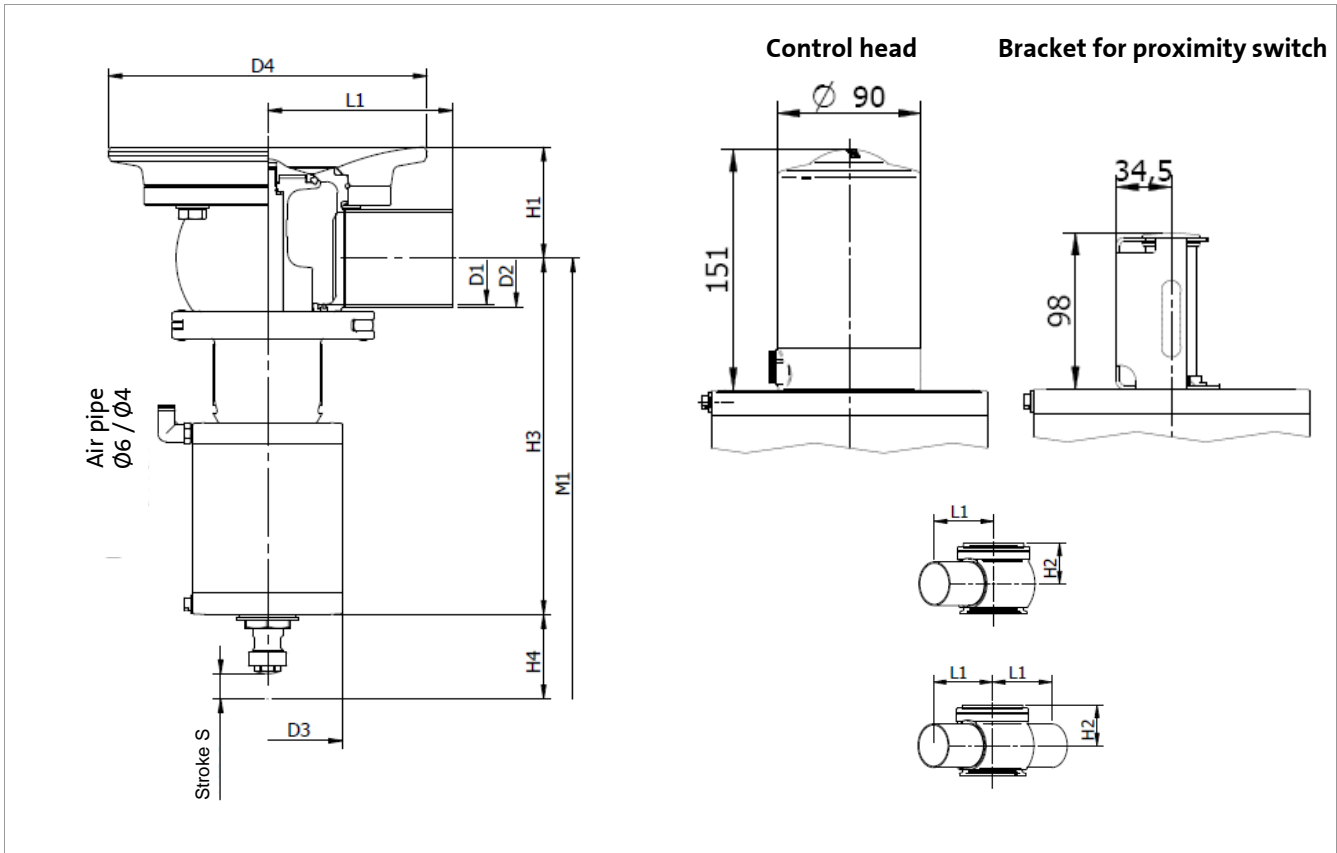
Design features of modular tank outlet valves

- Flat to tank bottom – no sump
- Valve disk with balancer to minimize pressure blows
- One-piece housing continuously adjustable over 360°
- Seal geometry optimized for all applicable process conditions
- Two-piece threaded valve disk with defined clearance for the seal enhances ease of installation
- Actuator size matched to product pressure
- Rotational decoupling on linkage between valve shaft and drive for torsion-free lift motion of the valve disk
- Shaft seal with wiper function protects against contamination ingress
- External air fitting supplied as standard feature
- Internal airflow when a control head is used



- 1 Internal airflow on version with control head
- 2 External air connection
- 3 Valve shaft connection with rotational decoupling
- 4 Shaft seal with wiper function
- 5 Valve disk with balancer
- 6 Metal stop
- 7 Two-piece valve disk, threaded
- 8 Flat to tank bottom – no sump

TANK OUTLET VALVE ST NC DN



Dimensions

DN	ØD1 mm	ØD2 mm	ØD3 6 bar mm	ØD4 mm	L1 mm	H1 mm	H2 mm	H3 mm	M1 mm	Stroke mm
25	26	29	89	190	92,5			284	350	9
40	38	41	108	190	91			284	400	12
50	50	53	108	190	93	69,5	58,5	284	400	18
65	66	70	108	230	133,5	80	65	293	440	20
80	81	85	133	250	134			314	450	23
100	100	104	173	280	137,5			397	580	30
125	125	129	216					422	620	36
150	150	154	216					637	850	42

Weight

DN	1-0 kg	1-3-0 kg	1-6-8 kg	1-3-6-8 kg
25	5,0			
40	8,2			
50	8,3			
65	12,8			
80	25,0			
100	26,8			
125	42,5			
150	51,8			

Actuator: NC (spring closing / air opening)
NO (air closing / spring opening)
AA (air opening / air closing)
MA (manual)

Seal material: E (EPDM)
F (FKM)
H (HNBR)

Example for Description

Tank Outlet Valve ST DN80 130 NC E

Housing: 1-0
1-3-0

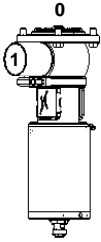
Diameter

Type: ST Tank Outlet Valve

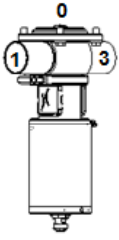
TANK OUTLET VALVE ST NC PRODUCT PRESSURE 4 BAR DN

Including switch mount for proximity switch

1-0 without tank flange
1.4404 / AISI 316L

	DN	- EPDM		- HNBR		- FKM	
		Material no.	Price/€	Material no.	Price/€	Material no.	Price/€
	25		1.235,00 €		1.264,00 €		1.293,00 €
	40		1.307,00 €		1.338,50 €		1.370,00 €
	50	0903952891	1.355,00 €		1.386,50 €		1.418,00 €
	65		1.801,00 €		1.840,00 €	0904097243	1.879,00 €
	80	0905109024	2.391,00 €		2.437,00 €		2.483,00 €
	100		2.751,00 €		2.807,00 €		2.863,00 €
	125		5.097,00 €		5.186,00 €		5.275,00 €
	150		6.797,00 €		6.892,00 €		6.986,00 €

1-3-0 without tank flange
1.4404 / AISI 316L

	DN	- EPDM		- HNBR		- FKM	
		Material no.	Price/€	Material no.	Price/€	Material no.	Price/€
	25		1.306,00 €		1.335,00 €		1.364,00 €
	40		1.387,00 €		1.418,50 €		1.450,00 €
	50		1.439,00 €		1.470,50 €		1.502,00 €
	65		1.895,00 €		1.934,00 €		1.973,00 €
	80		2.496,00 €		2.542,00 €		2.588,00 €
	100		2.875,00 €		2.931,00 €		2.987,00 €
	125		5.240,00 €		5.329,00 €		5.418,00 €
	150		6.956,00 €		7.051,00 €		7.145,00 €

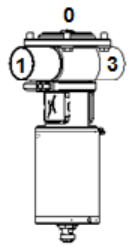
TANK OUTLET VALVE ST NC PRODUCT PRESSURE 10 BAR DN

Including switch mount for proximity switch


1-0 without tank flange
1.4404 / AISI 316L

	DN	- EPDM		- HNBR		- FKM	
		Material no.	Price/€	Material no.	Price/€	Material no.	Price/€
	25	0904981641	1.383,00 €		1.412,00 €		1.441,00 €
	40	0904981872	1.467,00 €		1.498,50 €		1.530,00 €
	50	0903952891	1.523,00 €		1.554,50 €		1.586,00 €
	65	0904982219	2.035,00 €		2.074,00 €		2.113,00 €
	80	0904981919	2.715,00 €		2.761,00 €		2.807,00 €
	100	0904982306	3.135,00 €		3.191,00 €		3.247,00 €
	125		5.097,00 €		5.186,00 €		5.275,00 €
	150		6.797,00 €		6.892,00 €		6.986,00 €


1-3-0 without tank flange
1.4404 / AISI 316L

	DN	- EPDM		- HNBR		- FKM	
		Material no.	Price/€	Material no.	Price/€	Material no.	Price/€
	25		1.454,00 €		1.483,00 €		1.512,00 €
	40	0905413882	1.547,00 €		1.578,50 €		1.610,00 €
	50	0904615000	1.607,00 €		1.638,50 €		1.670,00 €
	65		2.129,00 €		2.168,00 €		2.207,00 €
	80		2.820,00 €		2.866,00 €		2.912,00 €
	100		3.259,00 €		3.315,00 €		3.371,00 €
	125		5.240,00 €		5.329,00 €		5.418,00 €
	150		6.956,00 €		7.051,00 €		7.145,00 €

Tank flange
1.4404 / AISI 316L

	DN	Material no.	Price/€
	25	0903243897	135,00 €
	40	0902888419	146,00 €
	50	0902888419	146,00 €
	65	0902944701	182,00 €
	80	0902620094	220,00 €
	100	0902620095	255,00 €
	125	0903995180	898,00 €
	150		1.498,00 €

Blank flange
1.4404 / AISI 316L

	DN	Material no.	Price/€
	25		
	40	0903244917	180,00 €
	50	0903244917	180,00 €
	65	0903245156	230,00 €
	80	0902635321	320,00 €
	100	0902635327	395,00 €
	125	0904036155	
	150		

SPARE PARTS TANK OUTLET VALVE ST

Seal kit with product contact DN

	DN	EPDM		HNBR		FKM	
		Material no.	Price/€	Material no.	Price/€	Material no.	Price/€
	25	0904983874	79,00 €		118,50 €		158,00 €
	40	0904050772	85,00 €		127,50 €	0904964798	170,00 €
	50	0904050772	85,00 €		127,50 €	0904964798	170,00 €
	65	0904133718	93,00 €		139,50 €	0904133714	186,00 €
	80		99,00 €		148,50 €		198,00 €
	100		105,00 €		157,50 €	0904906396	210,00 €
	125		141,00 €		211,50 €		282,00 €
	150		191,00 €		286,50 €		382,00 €

Seal kit, actuator

	DN		
		Material no.	Price/€
	25	0902517095	8,80 €
	40		
	50		
	65		
	80		
	100		
	125		
	150		

Bearing set

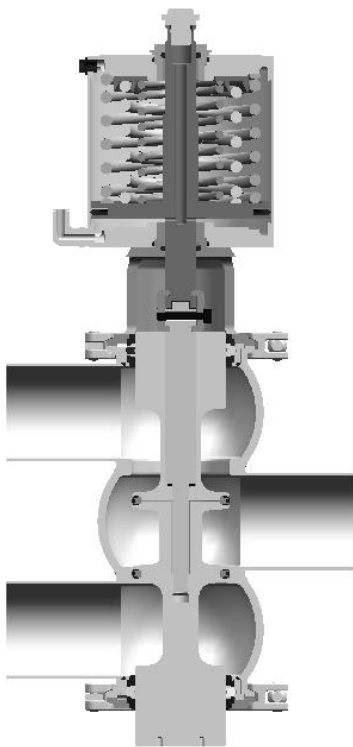
	DN		
		Material no.	Price/€
	25	0902517063	29,00 €
	40	0902517066	33,00 €
	50	0902517066	33,00 €
	65	0902517067	39,00 €
	80	0902517069	48,00 €
	100	0902517092	57,00 €
	125	0902517093	77,00 €
	150	0902517094	178,00 €

DIVERT VALVE SC NC

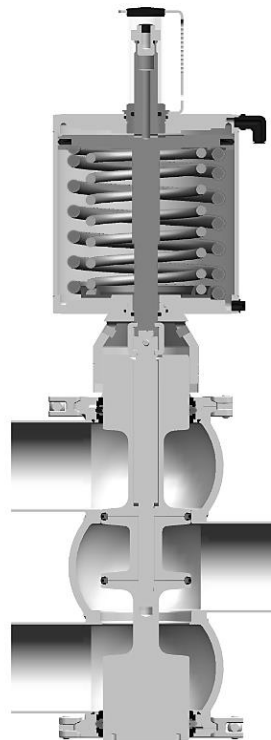
Design features of modular divert valves

- Valve disks double-balanced against pressure blows during switching
- Pressure blow resistant against 650 psi (45 bar)
- Path direction variable
- One-piece housing, free from dead area, drainable
- Seal geometry optimized for all applicable process conditions
- Three-piece threaded valve disk with defined clearance for the seal enhances ease of installation
- Actuator size matched to product pressure – small diameters
- Rotational decoupling on linkage between valve shaft and drive for torsion-free lift motion of the valve disk
- Shaft seal with wiper function protects against contamination ingress
- External air fitting supplied as standard feature
- Internal airflow when a control head is used

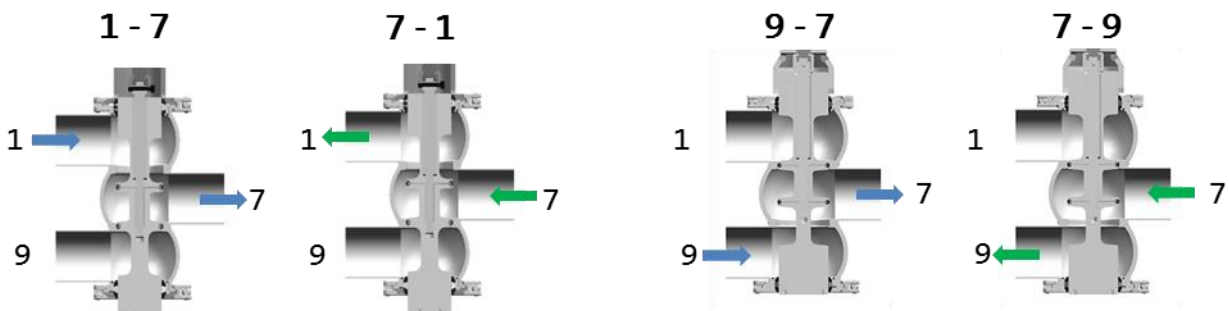
Function NC



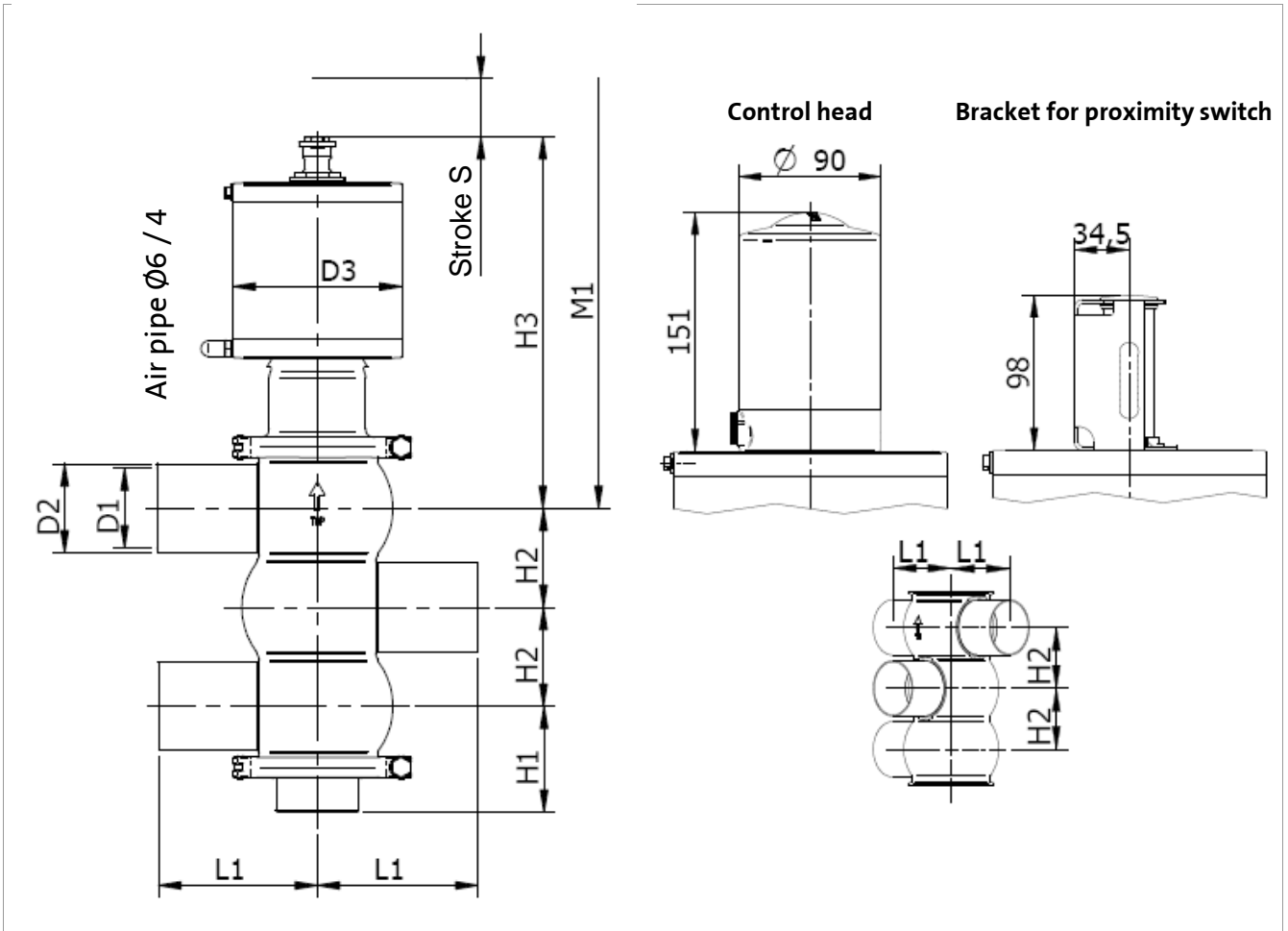
Function NO



Path direction



DIVERT VALVE SC DN



Dimensions

DN	ØD1 mm	ØD2 mm	ØD3 mm	L1 mm	H1 mm	H2 mm	H3 mm	M1 mm	Stroke mm
25	26	29	89	90	56	37	277	400	15
40	38	41	108	90	64	50	277	438	17
50	50	53	108	90	71	62	281	479	20
65	66	70	108	125	83	78	290	543	23
80	81	85	173	125	100	94	348	644	33
100	100	104	173	125	123	113	377	749	38
125	125	129	173	150	144	138	410	849	44
150	150	154	173	150		165			

Weight

DN	1-8-11 kg	1-7-9 kg	kg	kg
25	6,6			
40	11,5			
50	11,9			
65	16,9			
80	34,5			
100	44,8			
125	62,2			
150	80,0			

Actuator: NC (spring closing / air opening)
NO (air closing / spring opening)
AA (air opening / air closing)
MA (manual)

Seal material: E (EPDM)
F (FKM)
H (HNBR)

Example for Description

Divert Valve SC DN80 1811 NC E

Housing: 1-8-11
1-7-9

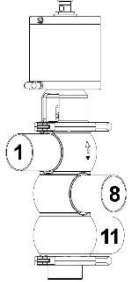
Diameter

Type: SC Divert Valve

DIVERT VALVE SC NC PRODUCT PRESSURE 22.7 BAR

Including switch mount for proximity switch

1-8-11
1.4404 / AISI 316L

	DN	- EPDM		- HNBR		- FKM	
		Material no.	Price/€	Material no.	Price/€	Material no.	Price/€
	25		1.137,00 €		1.214,00 €		1.291,00 €
	40		1.287,00 €		1.364,00 €		1.441,00 €
	50	0902700493	1.397,00 €		1.474,00 €		1.551,00 €
	65	0904412016	1.877,00 €		1.982,00 €		2.087,00 €
	80		2.587,00 €		2.712,00 €		2.837,00 €
	100		3.697,00 €		3.830,00 €		3.963,00 €
	125		7.300,00 €		7.461,00 €		7.622,00 €
	150						

1-7-9
1.4404 / AISI 316L

	DN	- EPDM		- HNBR		- FKM	
		Material no.	Price/€	Material no.	Price/€	Material no.	Price/€
	25	0904862909	1.137,00 €		1.214,00 €		1.291,00 €
	40	0902335006	1.287,00 €		1.364,00 €	0904218166	1.441,00 €
	50	0902464128	1.397,00 €	0903135102	1.474,00 €	0903173913	1.551,00 €
	65	0902480021	1.877,00 €		1.982,00 €	0904086974	2.087,00 €
	80	0902341795	2.587,00 €		2.712,00 €		2.837,00 €
	100	0903751724	3.697,00 €		3.830,00 €		3.963,00 €
	125		7.300,00 €		7.461,00 €		7.622,00 €
	150						

Further types available upon request

SPARE PARTS DIVERT VALVE SC

Seal kit with product contact

DN	EPDM		HNBR		FKM	
	Material no.	Price/€	Material no.	Price/€	Material no.	Price/€
25	0902517116	79,00 €	0903987569	153,00 €	0902844253	227,00 €
40	0902517117	83,00 €	0903987680	160,00 €	0902844254	237,00 €
50	0902517117	83,00 €	0903987680	160,00 €	0902844254	237,00 €
65	0902517118	93,00 €	0903987682	186,00 €	0902844255	279,00 €
80	0902517119	109,00 €	0903987683	218,00 €	0902844256	327,00 €
100	0902517120	155,00 €	0903987684	277,00 €	0902844257	399,00 €
125	0902517121	164,00 €	0903987685	328,00 €	0902844258	492,00 €
150	0902756479	209,00 €	0903987686	418,00 €	0902844259	627,00 €

Seal kit, actuator

DN		
	Material no.	Price/€
25	0902517095	8,80 €
40		
50		
65		
80		
100		
125		
150		

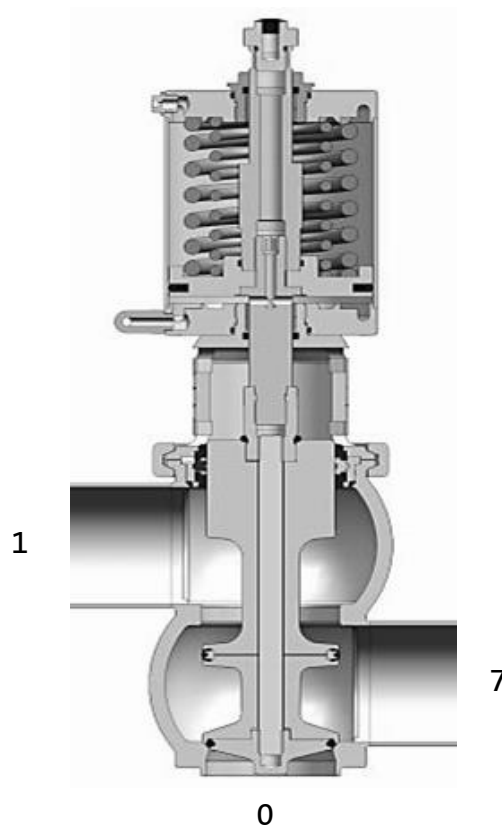
Bearing set

DN		
	Material no.	Price/€
25	0902756472	35,00 €
40	0902756473	38,00 €
50	0902756473	38,00 €
65	0902756474	45,00 €
80	0902756475	53,00 €
100	0902756476	62,00 €
125	0902756477	88,00 €
150	0902756478	178,00 €

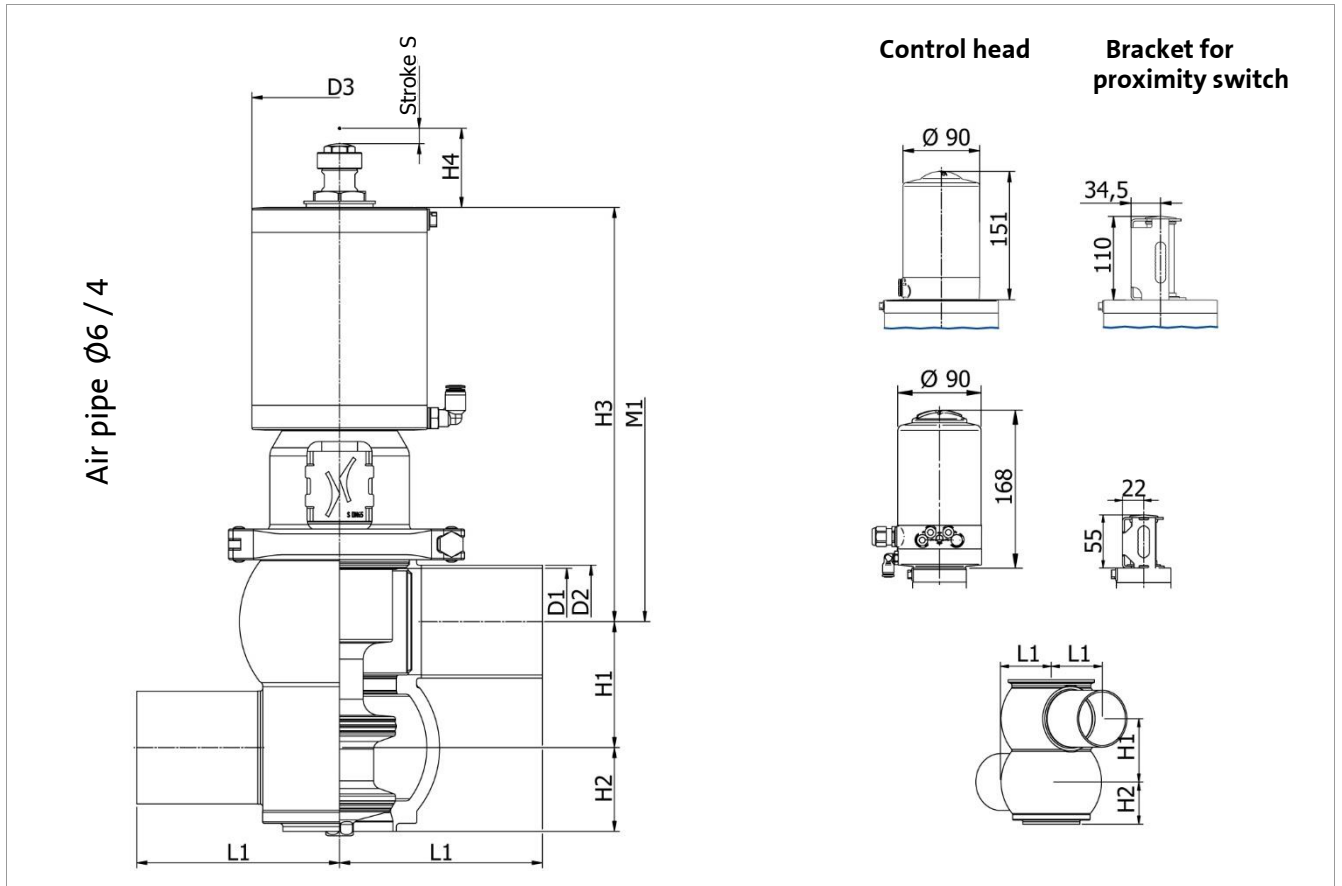
DIVERT VALVE SC2 NC

Design features of modular divert valves SC2

- Cost-effective alternative - connection 0 to gully
- One-piece housing, free from dead area, drainable
- Seal geometry optimized for all applicable process conditions
- Three-piece threaded valve disk with defined clearance for the seal enhances ease of installation
- Actuator size matched to product pressure; 6 bar, 10 bar
- Rotational decoupling on linkage between valve shaft and drive for torsion-free lift motion of the valve disk
- Shaft seal with wiper function protects against contamination ingress
- External air fitting supplied as standard feature
- Internal air flow when a control head is used



DIVERT VALVE SC2 DN



Dimensions

DN	$\varnothing D1$ mm	$\varnothing D2$ mm	$\varnothing D3$ PN6 mm	$\varnothing D3$ PN10 mm	L1 mm	H1 mm	H2 mm	H3 PN6 mm	H3 PN10 mm	H4 PN6 mm	H4 PN10 mm	M1 PN6 mm	M1 PN10 mm	Stroke mm
10	10	13	57	74	50	21	23	141	156	39,5	39,5	221	236	10,5
15	16	19	57	74	60	25	23	138	153	39,5	39,5	218	233	10,5
20	20	23	57	74	60	25	27	140	155	40,5	40,5	220	235	11,5
25	26	29	74	108	90	35	28	160	236	41	41	291	390	12
40	38	41	108	133	90	50	41	238,5	238,5	63,5	63,5	423	423	18
50	50	53	108	133	90	62	44	244,5	244,5	63,5	63,5	447	447	24
65	66	70	133	173	125	78	52	257	312,5	63,5	63,5	497	576	24
80	81	85	-	173	125	93	61,4	-	336	-	86,5	-	625	32
100	100	104	173	216	125	112	73	355,5	355,5	86,5	86,5	681	681	37

Weight

DN	1-7-0 PN6 kg	1-7-0 PN10 kg
10	2,1	2,85
15	2,1	2,85
20	2,15	2,9
25	3,6	6,8
40	9	9,4
50	9,6	9,9
65	14,4	24,9
80	-	27,5
100	37	46,1

Actuator: NC (spring closing / air opening)
 NO (air closing / spring opening)
 AA (air opening / air closing)
 MA (manual)

Seal material: E (EPDM)
 F (FKM)
 H (HNBR)

Example for Description:

Divert Valve SC2 DN80 170 NC E

Housing: 1-8-0
 1-7-0

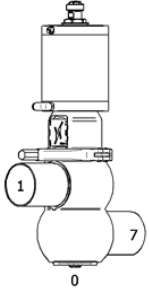
Diameter

Type: SC2 Divert Valve

DIVERT VALVE SC2 NC PRODUCT PRESSURE 6 BAR

Including switch mount for proximity switch

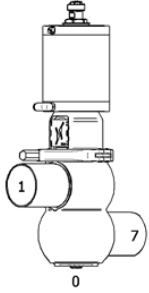
1-7-0
1.4404 / AISI 316L

	DN	- EPDM		- HNBR		- FKM	
		Material no.	Price/€	Material no.	Price/€	Material no.	Price/€
	10	0905617402	830,00 €		907,00 €		984,00 €
	15	0905617289	830,00 €		907,00 €		984,00 €
	20	0905617249	830,00 €		907,00 €		984,00 €
	25	0904698362	995,00 €		1.072,00 €		1.149,00 €
	40	0904779919	1.125,00 €	0905309175	1.202,00 €		1.279,00 €
	50	0904815630	1.245,00 €		1.322,00 €		1.399,00 €
	65	0904697660	1.645,00 €		1.750,00 €	0904713483	1.855,00 €
	80	0906029893	2.145,00 €		2.270,00 €		2.395,00 €
	100	0904697760	2.895,00 €		3.028,00 €		3.161,00 €
	125						
	150						

DIVERT VALVE SC2 NC PRODUCT PRESSURE 10 BAR

Including switch mount for proximity switch

1-7-0
1.4404 / AISI 316L

	DN	- EPDM		- HNBR		- FKM	
		Material no.	Price/€	Material no.	Price/€	Material no.	Price/€
	10	0905617401	880,00 €		957,00 €		1.034,00 €
	15	0905617284	880,00 €		957,00 €		1.034,00 €
	20	0905089969	880,00 €		957,00 €		1.034,00 €
	25	0905538570	1.143,00 €		1.220,00 €		1.297,00 €
	40	0905297979	1.285,00 €		1.362,00 €		1.439,00 €
	50	0905109021	1.345,00 €		1.422,00 €		1.499,00 €
	65	0905109016	1.879,00 €		1.984,00 €		2.089,00 €
	80	0904697666	2.469,00 €		2.594,00 €		2.719,00 €
	100	0905450028	3.279,00 €		3.412,00 €		3.545,00 €
	125						
	150						

SPARE PARTS DIVERT VALVE SC2

Seal kit with product contact DN

DN	EPDM		HNBR		FKM	
	Material no.	Price/€	Material no.	Price/€	Material no.	Price/€
10	0905503335	67,00 €		130,00 €	0905503335	193,00 €
15	0905503335	67,00 €		130,00 €	0905503335	193,00 €
20	0904713038	67,00 €		130,00 €	0904713253	193,00 €
25	0905538076	67,00 €	0904713254	130,00 €	0904713253	193,00 €
40	0904713039	71,00 €	0904713480	136,00 €	0904713259	201,00 €
50	0904713039	71,00 €	0904713480	136,00 €	0904713259	201,00 €
65	0904713212	79,00 €		158,00 €	0902844255	237,00 €
80	0904713214	93,00 €		185,50 €	0902844256	278,00 €
100	0904713216	132,00 €		235,50 €	0902844257	339,00 €
125		139,00 €		278,50 €		418,00 €
150		178,00 €		355,50 €		533,00 €

Seal kit, actuator

DN	Material no.	Price/€
	10	
15	0905047406	8,80 €
20		
25		
40		
50		
65	0902517095	8,80 €
80		
100		
125		
150		

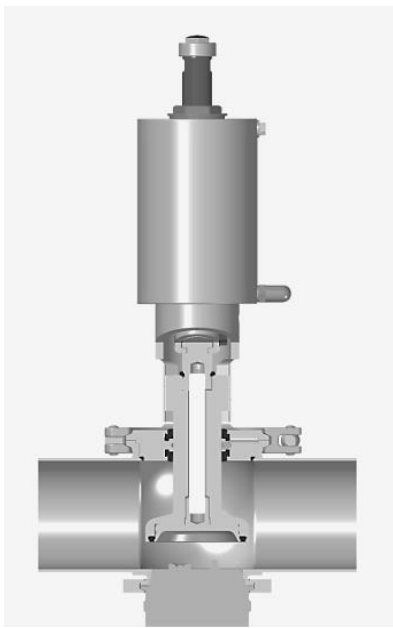
Bearing set

DN	Material no.	Price/€
	10	0903063891
15	0903063891	32,00 €
20	0903063891	32,00 €
25	0905538457	32,00 €
40	0904720692	32,00 €
50	0904720692	32,00 €
65	0904721205	38,00 €
80	0904721206	45,00 €
100	0904721207	62,00 €
125		75,00 €
150		151,00 €

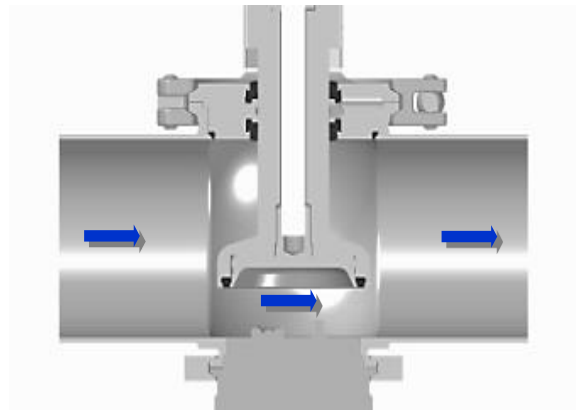
INLINE SHIELD VALVE SIS

Design features of modular inline shield valves

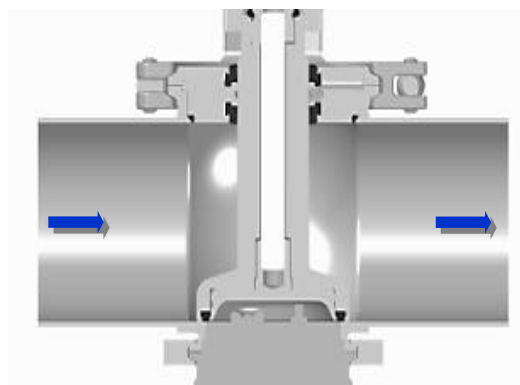
- Protection of measurement system „INLINE“
- One-piece housing, free from dead area, drainable
- Seal geometry optimized for all applicable process conditions
- Two-piece threaded valve disk with defined clearance for the seal enhances ease of installation
- Rotational decoupling on linkage between valve shaft and drive for torsion-free lift motion of the valve disk
- Shaft seal with wiper function protects against contamination ingress
- External air fitting supplied as standard feature
- Internal airflow when a control head is used



Inline connection
for measuring devices

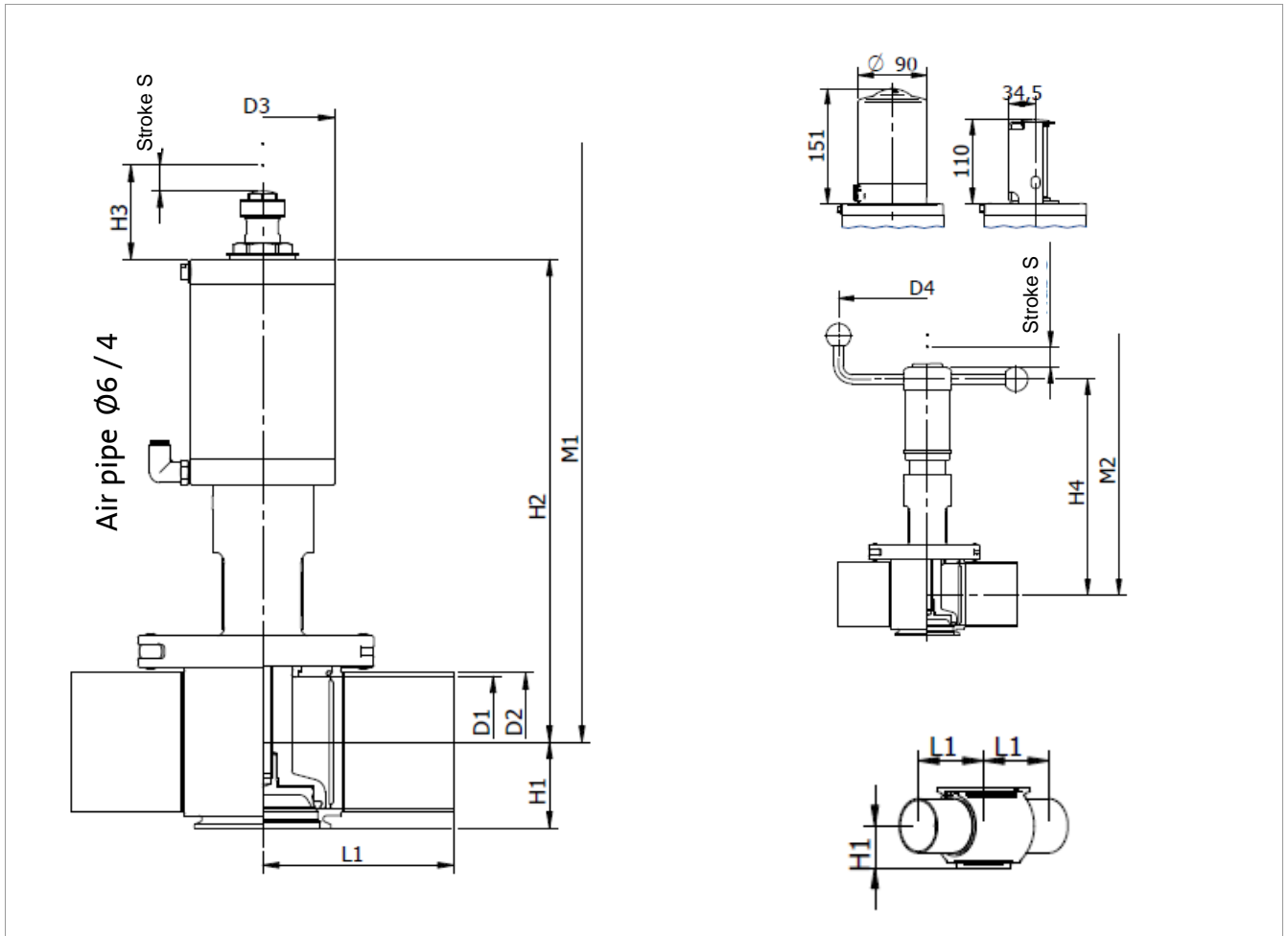


Valve in open position
Measurement in the product flow



Valve in closed position
Measuring device decoupled from the product flow

INLINE SHIELD VALVE SIS NC

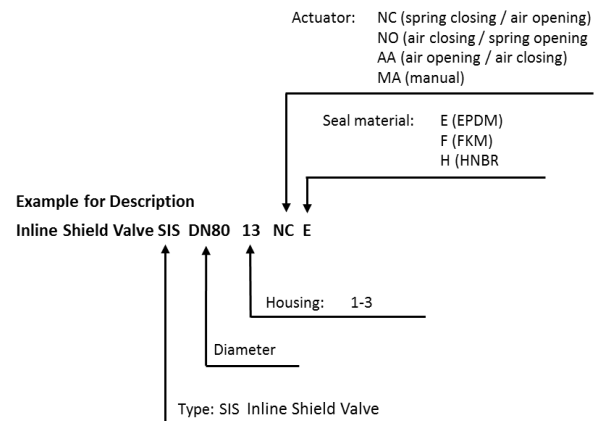


Dimensions

DN	ØD1 mm	ØD2 mm	ØD3 mm	ØD4 mm	L1 mm	H1 mm	H2 mm	H3 mm	M1 mm	Stroke mm
40	38	41	89	233				62		20
50	50	53	89	233				62		20
65	66	70	89	233	128,5	45	288	62	432	20
80	81	85	89	233	118	52,5	296	62	454	20
100	100	104	89	233	129,3	62	305	62	483	20
125	125	129	89	233	123	74,5	318	62	520	20
150	150	154	89	233				62		20

Weight

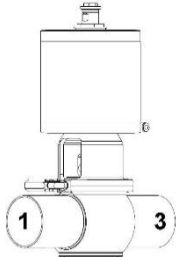
DN	1-3 kg	kg	kg	kg
25				
40				
50				
65	8,8			
80	9,1			
100	9,9			
125	11,0			
150				



INLINE SHIELD VALVE SIS NC PRODUCT PRESSURE 10 BAR

Including switch mount for proximity switch

1_3
1.4404 / AISI 316L

	DN	- EPDM		- HNBR		- FKM	
		Material no.	Price/€	Material no.	Price/€	Material no.	Price/€
	25						
	40		1.728,00 €		1.759,50 €		1.791,00 €
	50		1.748,00 €		1.779,50 €		1.811,00 €
	65		1.768,00 €		1.807,00 €		1.846,00 €
	80	0903826767	1.898,00 €		1.944,00 €		1.990,00 €
	100	0903706720	1.996,00 €		2.052,00 €		2.108,00 €
	125	0903864796	2.798,00 €		2.887,00 €		2.976,00 €
	150						

SPARE PARTS INLINE SHIELD VALVE SIS

Seal kit with product contact DN

DN	EPDM		HNBR		FKM	
	Material no.	Price/€	Material no.	Price/€	Material no.	Price/€
25	0903917079	89,00 €	0903917141	178,00 €	093917140	249,00 €
40						
50						
65						
80						
100						
125						
150						

Seal kit, actuator

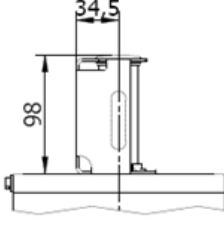
DN	Material no.	Price/€
	25	0902517095
40		
50		
65		
80		
100		
125		
150		

Bearing set

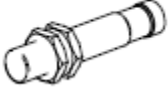
DN	Material no.	Price/€
	25	0902517063
40		
50		
65		
80		
100		
125		
150		

ADDITIONAL EQUIPMENT SEAT VALVE S

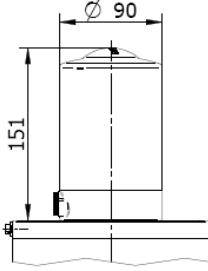
Proximity switch mount M12x1

	DN	Material no.	Price/€
	25	0903370971	118,00 €
	40		
	50		
	65		
	80		
	100		
	125		
	150		

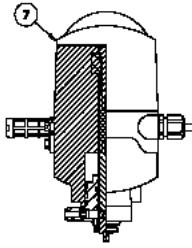
Proximity switch M12x1

	DN	Material no.	Price/€
	25	0901443696	21,20 €
	40		
	50		
	65		
	80		
	100		
	125		
	150		

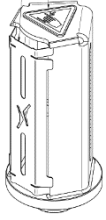
Control head, 2 proximity switches

	DN	24 V DC 2 proximity switches 1 solenoid valve		24 V DC ASI 2 proximity switches 1 solenoid valve	
		Material no.	Price/€	Material no.	Price/€
	25	0903679841	294,00 €	0904774860	384,00 €
	40				
	50				
	65				
	80				
	100				
	125				
150					

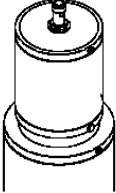
Control head, IO link

	DN	IO link Port class A (4-pole) 1 solenoid valve		IO link Port class B (5-pole) 1 solenoid valve	
		Material no.	Price/€	Material no.	Price/€
	25	799,00 €	870,00 €		
	40				
	50				
	65				
	80				
	100				
	125				
150					

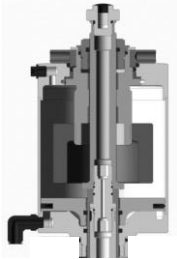
Limit of stroke, position OPEN or CLOSE

	DN	Material no.	Price/€
	25	0903887569	247,00 €
	40		
	50		
	65		
	80		
	100		
	125		
	150		

Damping cylinder

	DN	Material no.	Price/€
	25	0902823833	890,00 €
	40		
	50		
	65		
	80		
	100		
	125		
	150		

Three-position actuator

	Ac-tua-tor Ø mm	Material no.	Price/€
	89		595,00 €
	108		735,00 €
	133	0905315191	810,00 €
	173	0905412203	1.090,00 €
	216		1.695,00 €

4 Overflow Valve O



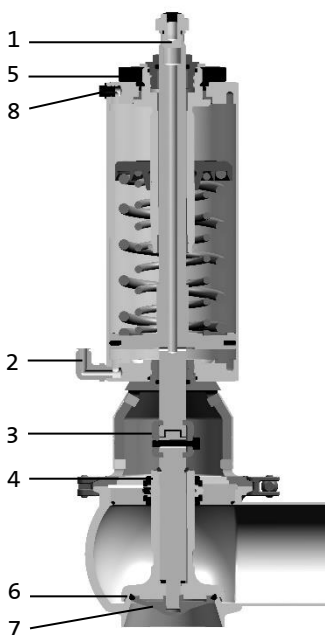
INFORMATION

A big topic in beverage production is the flow control. Often it is necessary to keep the product pressure constant under different product removal out of the pipes. This is a special application for overflow valves. As soon as the product pressure exceeds the pressure preset for the overflow valve, the valve opens into a bypass. This ensures cavitation demands at pumps and keeps the product pressure constant in the pipelines. After the preset product pressure is reached, the overflow valve changes into closed position.

EVOGUARD overflow valves contain all the construction details of seat valves for a high performance during the day-to-day operation. Besides, no special tools are necessary for the adjustment of the product pressure. The design of the valve disk ensures optimal flow conditions. The metal stop on the valve disk and the positioning of the seal prevent excessive stress on the seal also with air pressure superposition in the actuator. Optimal compliance with hygienic design is another outstanding feature of the valves.

Design features of modular overflow valves

- Seal geometry optimized for all applicable process conditions
- Two-piece threaded valve disk with defined clearance for the seal enhances ease of installation
- Optimum design of the flow conditions in the valve seat area
- Actuator size matched to product pressure
- Rotational decoupling on linkage between valve shaft and drive for torsion-free lift motion of the valve disk
- Shaft seal with wiper function protects against contamination ingress
- External air fitting supplied as standard feature to open the valve during cleaning
- Air connection for air pressure superposition in the actuator
- Bracket for proximity switches mountable on the top of the actuator
- Internal airflow when a control head is used to open the valve during cleaning



- 1 Internal airflow on version with control head
- 2 External air connection
- 3 Valve shaft connection with rotational decoupling
- 4 Shaft seal with wiper function
- 5 Adjustment pressure required (to open valve)
- 6 Metal stop
- 7 Two-piece valve disk, threaded
- 8 Connection for superposition of compressed air

Set pressure

DN	Actuator D85/0-3/NC/34		Actuator D85/1-9/NC/34		Actuator D104/4-29/NC/34		Actuator D129/21-41/NC/34	
	min. bar	max. bar	min. bar	max. bar	min. bar	max. bar	min. bar	max. bar
25	2,2	7,8	-	-	-	-	-	-
40	0,6	2,2	1,8	8,0	5,6	10,0	-	-
50	0,7	2,3	1,8	8,0	5,6	10,0	-	-
65	0,3	1,5	0,8	4,1	2,6	10,0	-	-
80	-	-	0,4	2,4	1,3	7,4	5,7	10,0
100	-	-	0,2	1,5	0,7	4,8	3,5	6,7

Higher pressures available upon request

TECHNICAL DATA

Pressures

Product pressure	Adjustable, please see table above / vacuum -13.8 psi (-0.95 bar)
Housing	PN 360 psi (25 bar)
Control air pressure	min. 87 psi (6 bar) - max. 115 psi (8 bar)

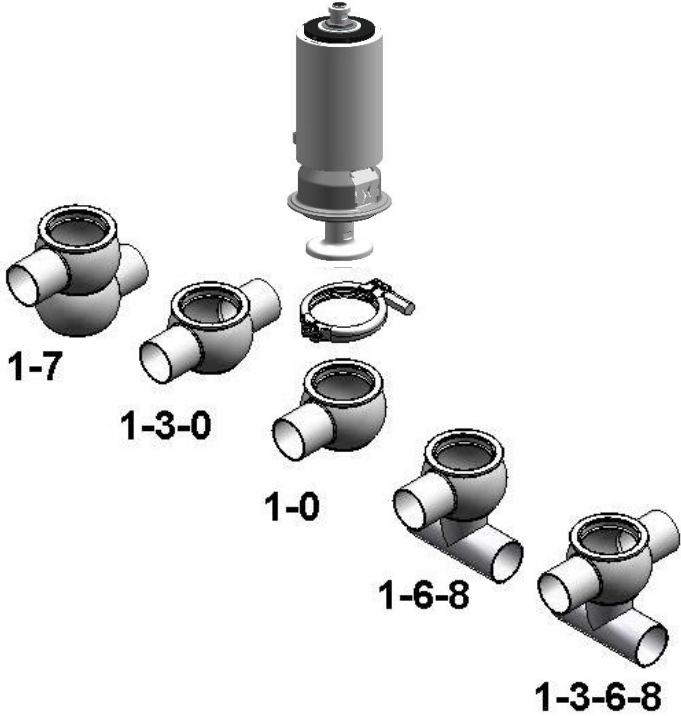
Material

With product contact	1.4404 / AISI 316L
Without product contact	1.4301
Seal	EPDM / FDA Further materials available upon request

Surface

With product contact	Ra ≤ 0.8 μ
Without product contact	Ra ≤ 1.6 μ

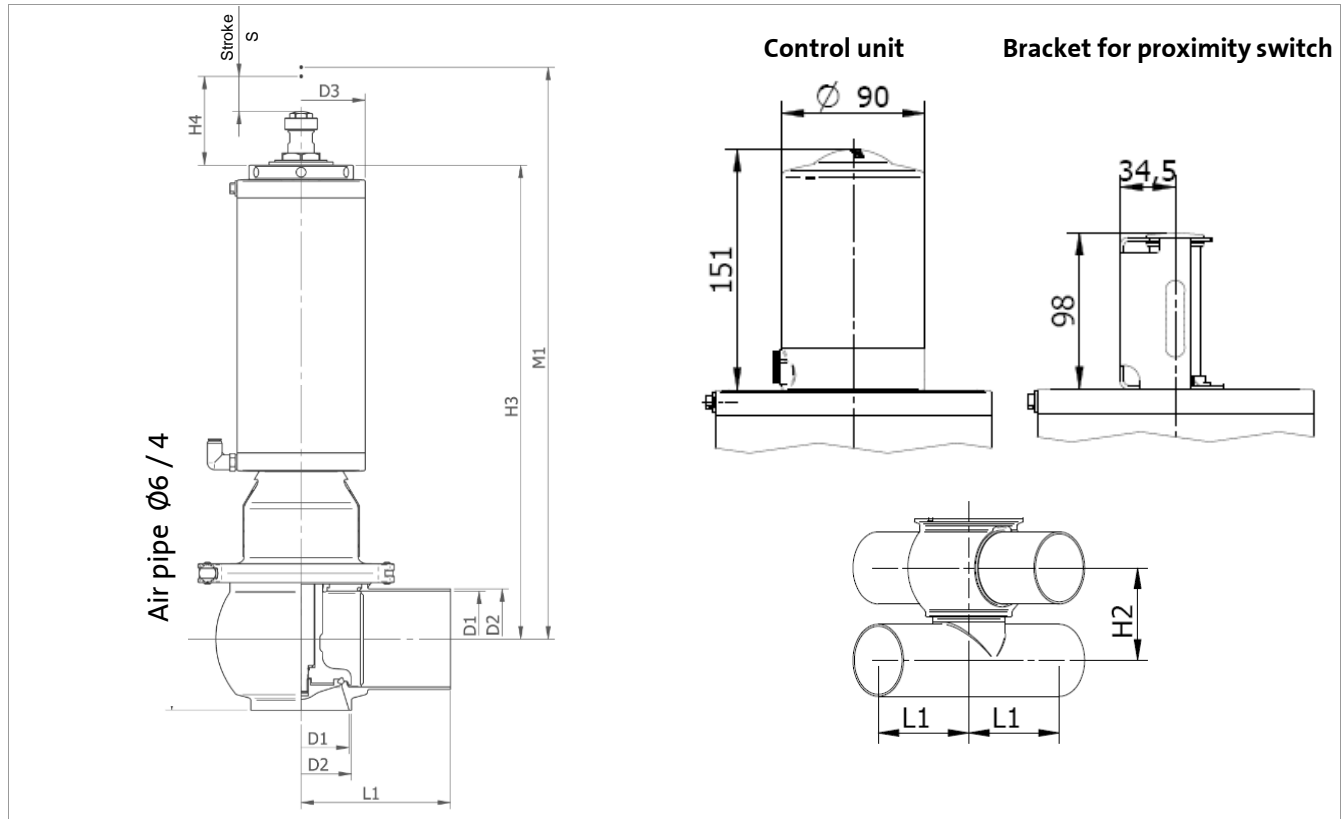
Designs

Housing versions	
Actuator	Pneumatic drive NC adjustable
Additional equipment	Control head Proximity switch M12x1

According to legal requirements
EU Pressure Equipment Directive 2014/68/EU
EU Machinery Directive 2006/42/EC
Design check by TÜV Süd



OVERFLOW VALVE O NC PRODUCT PRESSURE ADJUSTABLE DN

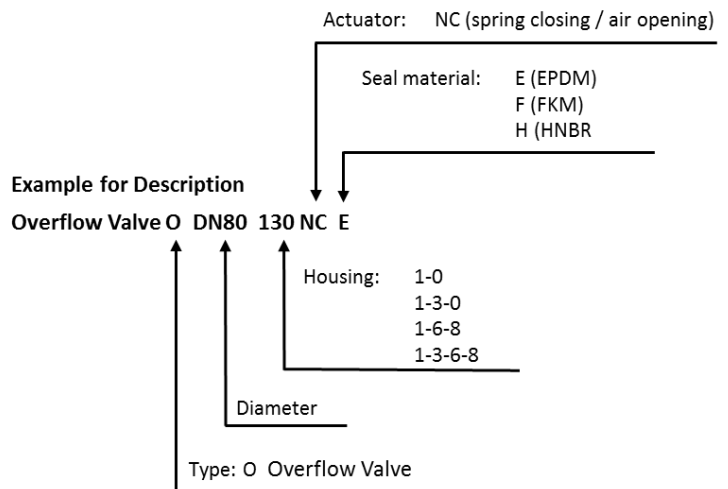


Dimensions

DN	ØD1 mm	ØD2 mm	ØD3 85/0-3 mm	ØD3 85/1-9 mm	ØD3 104/4-29 mm	ØD3 129/21-41 mm	L1 mm	H1 mm	H2 mm	H3 mm	M1 mm	Stroke mm
25	26	29	89	89	-	-	90	31	47	367	425	15
40	38	41	89	89	108	-	90	39	62	370	445	20
50	50	53	89	89	108	-	90	41	71	376	470	19
65	66	70	89	89	108	133	125	52	92	409	515	22
80	81	85	-	-	108	133	125	60	107	400	515	25
100	100	104	-	-	108	133	125	70	128	420	560	30
125	125	129	-	-	-	-	-	-	-	-	-	-
150	150	154	-	-	-	-	-	-	-	-	-	-

Weight

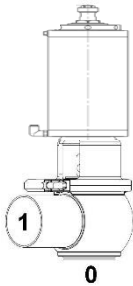
DN	1-0 kg	1-3-0 kg	1-6-8 kg	1-3-6-8 kg
25	6,8			
40	8,3			
50	8,5			
65	12,5			
80	16,9			
100	21,1			
125	-			
150	-			



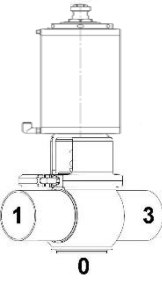
OVERFLOW VALVE O NC

Including switch mount for proximity switch

1-0
1.4404 / AISI 316L

	DN / bar	- EPDM		- HNBR		- FKM	
		Material no.	Price/€	Material no.	Price/€	Material no.	Price/€
	25 / 2,2-7,8	0903487447	1.596,00 €		1.625,00 €	0904714915	1.654,00 €
	25 / 6,9-22,7	0904495978	1.596,00 €		1.625,00 €		1.654,00 €
	40 / 0,6-2,2	0903717013	1.766,00 €		1.797,50 €	0904601147	1.829,00 €
	40 / 1,8-8,0	0903486078	1.766,00 €	0904353187	1.797,50 €	0904043323	1.829,00 €
	40 / 5,6-22,7	0904729256	2.066,00 €		2.097,50 €		2.144,00 €
	50 / 0,7-2,3	0903682673	1.828,00 €		1.859,50 €		1.891,00 €
	50 / 1,8-8,0	0903482460	1.828,00 €		1.859,50 €	0903706757	1.891,00 €
	50 / 5,6-22,7	0904729391	2.028,00 €		2.059,50 €		2.091,00 €
	65 / 0,3-1,5	0903718789	1.898,00 €		1.937,00 €		1.976,00 €
	65 / 0,8-4,1	0903486124	1.898,00 €		1.937,00 €		1.976,00 €
	65 / 2,6-12,8	0903582561	2.113,00 €		2.152,00 €		2.191,00 €
	65 / 10,0-17,7		2.713,00 €		2.752,00 €		2.791,00 €
	80 / 0,4-2,4	0903682878	2.196,00 €		2.242,00 €		2.288,00 €
	80 / 1,3-7,4	0903486997	2.496,00 €		2.542,00 €	0905152753	2.588,00 €
	80 / 5,7-10,3	0903912233	2.896,00 €		2.942,00 €		2.988,00 €
	100 / 0,2-1,5	0903682914	2.396,00 €		2.452,00 €		2.508,00 €
	100 / 0,7-4,8	0903793389	2.696,00 €		2.752,00 €		2.808,00 €
	100 / 3,5-6,7	0904705571	3.096,00 €		3.152,00 €		3.208,00 €
	125						
	150						

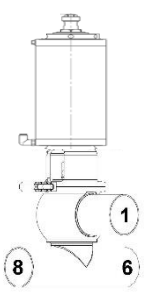
1-3-0
1.4404 / AISI 316L

	DN / bar	- EPDM		- HNBR		- FKM	
		Material no.	Price/€	Material no.	Price/€	Material no.	Price/€
	25 / 2,2-7,8		1.667,00 €		1.696,00 €		1.725,00 €
	25 / 6,9-22,7		1.667,00 €		1.696,00 €		1.725,00 €
	40 / 0,6-2,2	0904326449	1.846,00 €		1.877,50 €		1.909,00 €
	40 / 1,8-8,0	0903821002	1.846,00 €		1.877,50 €		1.909,00 €
	40 / 5,6-22,7		2.146,00 €		2.177,50 €		2.209,00 €
	50 / 0,7-2,3	0904818310	1.912,00 €		1.943,50 €		1.975,00 €
	50 / 1,8-8,0	0903880781	1.912,00 €		1.943,50 €		1.975,00 €
	50 / 5,6-22,7		2.112,00 €		2.143,50 €		2.175,00 €
	65 / 0,3-1,5		1.992,00 €		2.031,00 €		2.070,00 €
	65 / 0,8-4,1	0904360256	1.992,00 €		2.031,00 €		2.070,00 €
	65 / 2,6-12,8	0904540240	2.207,00 €		2.246,00 €		2.285,00 €
	65 / 10,0-17,7		2.807,00 €		2.846,00 €		2.885,00 €
	80 / 0,4-2,4	0904818314	2.301,00 €		2.347,00 €		2.393,00 €
	80 / 1,3-7,4	0904651885	2.601,00 €		2.647,00 €	0904043405	2.693,00 €
	80 / 5,7-10,3		3.001,00 €		3.047,00 €		3.093,00 €
	100 / 0,2-1,5		2.520,00 €		2.576,00 €		2.632,00 €
	100 / 0,7-4,8	0904828611	2.820,00 €		2.876,00 €		2.932,00 €
	100 / 3,5-6,7		3.220,00 €		3.276,00 €		3.332,00 €
	125						
	150						

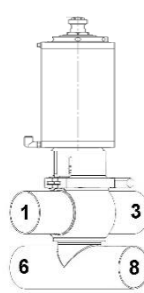
EVOGUARD

Overflow Valve O

1-6-8
1.4404 / AISI 316L

	DN / bar	- EPDM		- HNBR		- FKM	
		Material no.	Price/€	Material no.	Price/€	Material no.	Price/€
	25 / 2,2-7,8		1.738,00 €		1.767,00 €		1.796,00 €
	25 / 6,9-22,7		1.738,00 €		1.767,00 €		1.796,00 €
	40 / 0,6-2,2		1.926,00 €		1.957,50 €		1.989,00 €
	40 / 1,8-8,0		1.926,00 €		1.957,50 €		1.989,00 €
	40 / 5,6-22,7		2.226,00 €		2.257,50 €		2.289,00 €
	50 / 0,7-2,3		1.996,00 €		2.027,50 €		2.059,00 €
	50 / 1,8-8,0		1.996,00 €		2.027,50 €		2.059,00 €
	50 / 5,6-22,7		2.196,00 €		2.227,50 €		2.259,00 €
	65 / 0,3-1,5		2.086,00 €		2.125,00 €		2.164,00 €
	65 / 0,8-4,1		2.086,00 €		2.125,00 €		2.164,00 €
	65 / 2,6-12,8		2.301,00 €		2.340,00 €		2.379,00 €
	65 / 10,0-17,7		2.901,00 €		2.940,00 €		2.979,00 €
	80 / 0,4-2,4		2.406,00 €		2.452,00 €		2.498,00 €
	80 / 1,3-7,4		2.706,00 €		2.752,00 €		2.798,00 €
	80 / 5,7-10,3		3.106,00 €		3.152,00 €		3.198,00 €
	100 / 0,2-1,5		2.644,00 €		2.700,00 €		2.756,00 €
	100 / 0,7-4,8		2.944,00 €		3.000,00 €		3.056,00 €
	100 / 3,5-6,7		3.344,00 €		3.400,00 €		3.456,00 €
	125						
	150						

1-3-6-8
1.4404 / AISI 316L

	DN / bar	- EPDM		- HNBR		- FKM	
		Material no.	Price/€	Material no.	Price/€	Material no.	Price/€
	25 / 2,2-7,8	0903747638	1.809,00 €		1.838,00 €		1.867,00 €
	25 / 6,9-22,7	0904072202	1.809,00 €		1.838,00 €	0904143200	1.867,00 €
	40 / 0,6-2,2		2.006,00 €		2.037,50 €		2.069,00 €
	40 / 1,8-8,0	0904220308	2.006,00 €		2.037,50 €		2.069,00 €
	40 / 5,6-22,7	0903675990	2.306,00 €		2.337,50 €		2.369,00 €
	50 / 0,7-2,3		2.080,00 €		2.111,50 €		2.143,00 €
	50 / 1,8-8,0	0903748640	2.080,00 €		2.111,50 €		2.143,00 €
	50 / 5,6-22,7	0903675993	2.280,00 €		2.311,50 €		2.343,00 €
	65 / 0,3-1,5		2.180,00 €		2.219,00 €		2.258,00 €
	65 / 0,8-4,1		2.180,00 €		2.219,00 €		2.258,00 €
	65 / 2,6-12,8	0903653756	2.395,00 €		2.434,00 €		2.473,00 €
	65 / 10,0-17,7		2.995,00 €		3.034,00 €		3.073,00 €
	80 / 0,4-2,4		2.511,00 €		2.557,00 €		2.603,00 €
	80 / 1,3-7,4	0903527769	2.811,00 €		2.857,00 €		2.903,00 €
	80 / 5,7-10,3	0903675885	3.211,00 €		3.257,00 €		3.303,00 €
	100 / 0,2-1,5		2.768,00 €		2.824,00 €		2.880,00 €
	100 / 0,7-4,8	0903135131	3.068,00 €		3.124,00 €		3.180,00 €
	100 / 3,5-6,7	0903527938	3.468,00 €		3.524,00 €		3.580,00 €
	125						
	150						

Further types available upon request

SPARE PARTS OVERFLOW VALVE O

Seal kit with product contact DN

DN	EPDM		HNBR		FKM	
	Material no.	Price/€	Material no.	Price/€	Material no.	Price/€
25	0903521515	51,00 €	0903988189	81,60 €	0903988128	112,20 €
40	0903521519	54,00 €	0903988211	86,40 €	0903988182	118,80 €
50	0903521519	54,00 €	0903988211	86,40 €	0903988182	118,80 €
65	0903521681	64,00 €	0903988212	102,40 €	0903988184	140,80 €
80	0903521682	66,00 €	0903988213	105,60 €	0903988186	145,20 €
100	0903521761	76,00 €	0903988214	121,60 €	0903988188	167,20 €
125						
150						

Seal kit, actuator

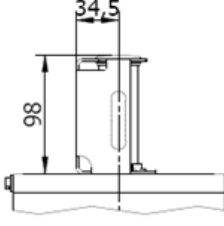
DN		
	Material no.	Price/€
25	0903521517	10,90 €
40		
50		
65		
80		
100		
125		
150		

Bearing set

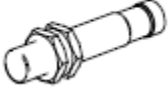
DN		
	Material no.	Price/€
25	0903521518	39,00 €
40	0903521680	45,00 €
50	0903521680	45,00 €
65	0903521683	49,00 €
80	0903521683	49,00 €
100	0903521762	139,00 €
125		
150		

ADDITIONAL EQUIPMENT OVERFLOW VALVE O

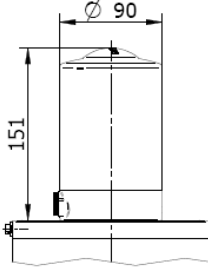
Proximity switch mount M12x1

	DN	Material no.	Price/€
	25	0903370971	118,00 €
	40		
	50		
	65		
	80		
	100		
	125		
	150		

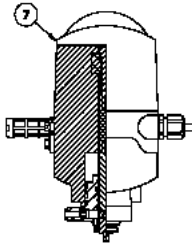
Proximity switch M12x1

	DN	Material no.	Price/€
	25	0901443696	21,20 €
	40		
	50		
	65		
	80		
	100		
	125		
	150		

Control head, 2 proximity switches

	DN	24 V DC 2 proximity switches 1 solenoid valve		24 V DC ASI 2 proximity switches 1 solenoid valve	
		Material no.	Price/€	Material no.	Price/€
	25	0903679841	294,00 €	0904774860	384,00 €
	40				
	50				
	65				
	80				
	100				
	125				
150					

Control head, IO link

	DN	IO link Port class A (4-pole) 1 solenoid valve		IO link Port class B (5-pole) 1 solenoid valve	
		Material no.	Price/€	Material no.	Price/€
	25	799,00 €	870,00 €		
	40				
	50				
	65				
	80				
	100				
	125				
150					

5 Vacuum Valve V



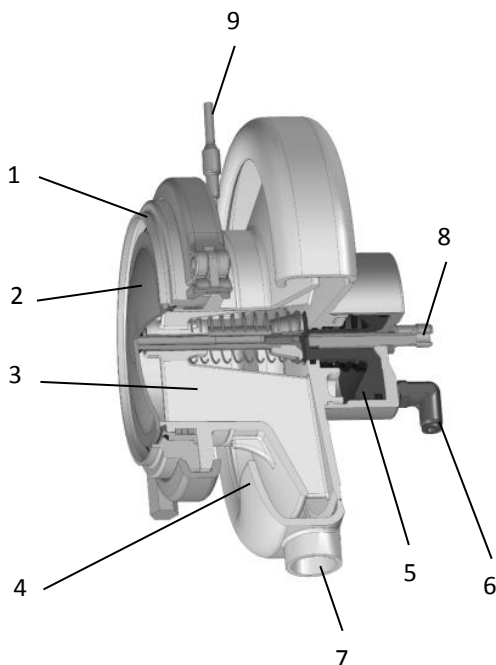
INFORMATION

A central issue in beverage production is the protection of expensive equipment in the production process. Often it is necessary to protect containers and pipes against undue vacuum. This is a special application for the vacuum valve. It automatically equalizes vacuum occurrences, which serves to protect against uncontrolled draining. Changes in volume due to physical or chemical processes (e. g. during hot rinsing) have not been taken into account for the design.

EVOGUARD vacuum valves provide design features analogous to seat valves, for a high performance during the day-to-day operation. The design of the product contacting area ensures optimal cleaning conditions. The valve is installed horizontally, therefore dirt deposits on the outer surface cannot enter the product room. In addition, the Hygienic Design requirements are optimally fulfilled.

Design features of modular vacuum valves

- Standard weld connection
- Horizontal installation
- Optimum cleaning conditions – no dead space
- Defined outlet via collector – controlled liquid discharge
- Dirt deposits are prevented from entering the tank from the outside owing to the horizontal installation
- Design versions:
 - non-liftable, without collector
 - liftable, with collector, for opening the valve during cleaning
- Options:
 - heating
 - proximity switch



- 1 Standard weld connection
- 2 Valve disk
- 3 Housing
- 4 Collector
- 5 Pneumatic lift
- 6 Air connection
- 7 Outlet
- 8 Proximity switch
- 9 Heating

TECHNICAL DATA

Pressures

Relief pressure	-0.044 ± 0.015 psi (-3 ± 1 mbar)
Product pressure	87 psi (6 bar)
Control air pressure	min. 87 psi (6 bar) - max. 115 psi (8 bar)

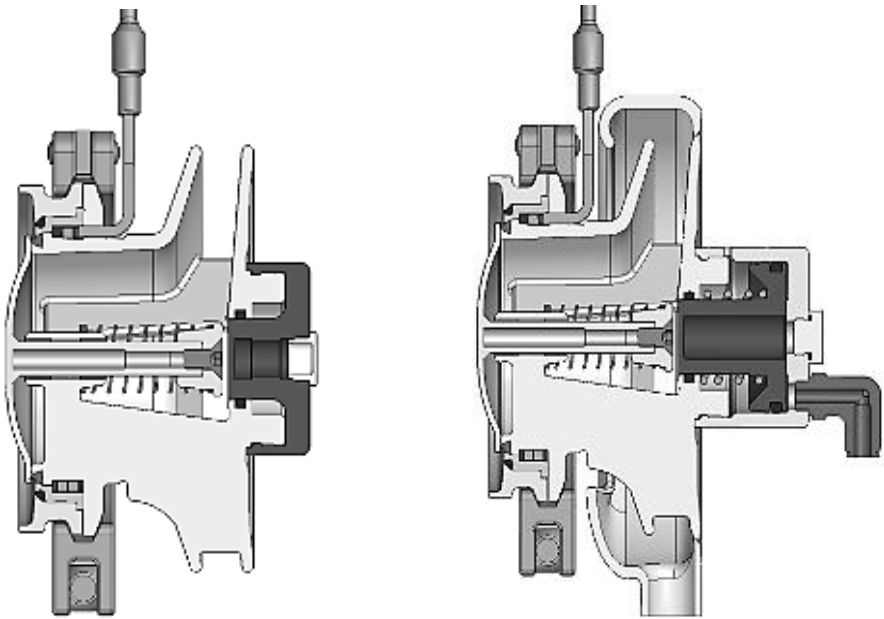
Material

With product contact	1.4404 / AISI 316L
Without product contact	1.4301 (AISI 304) / 1.4307 (AISI 304 L) / 1.4308
Seal	VMQ / EPDM Further materials available upon request

Surface

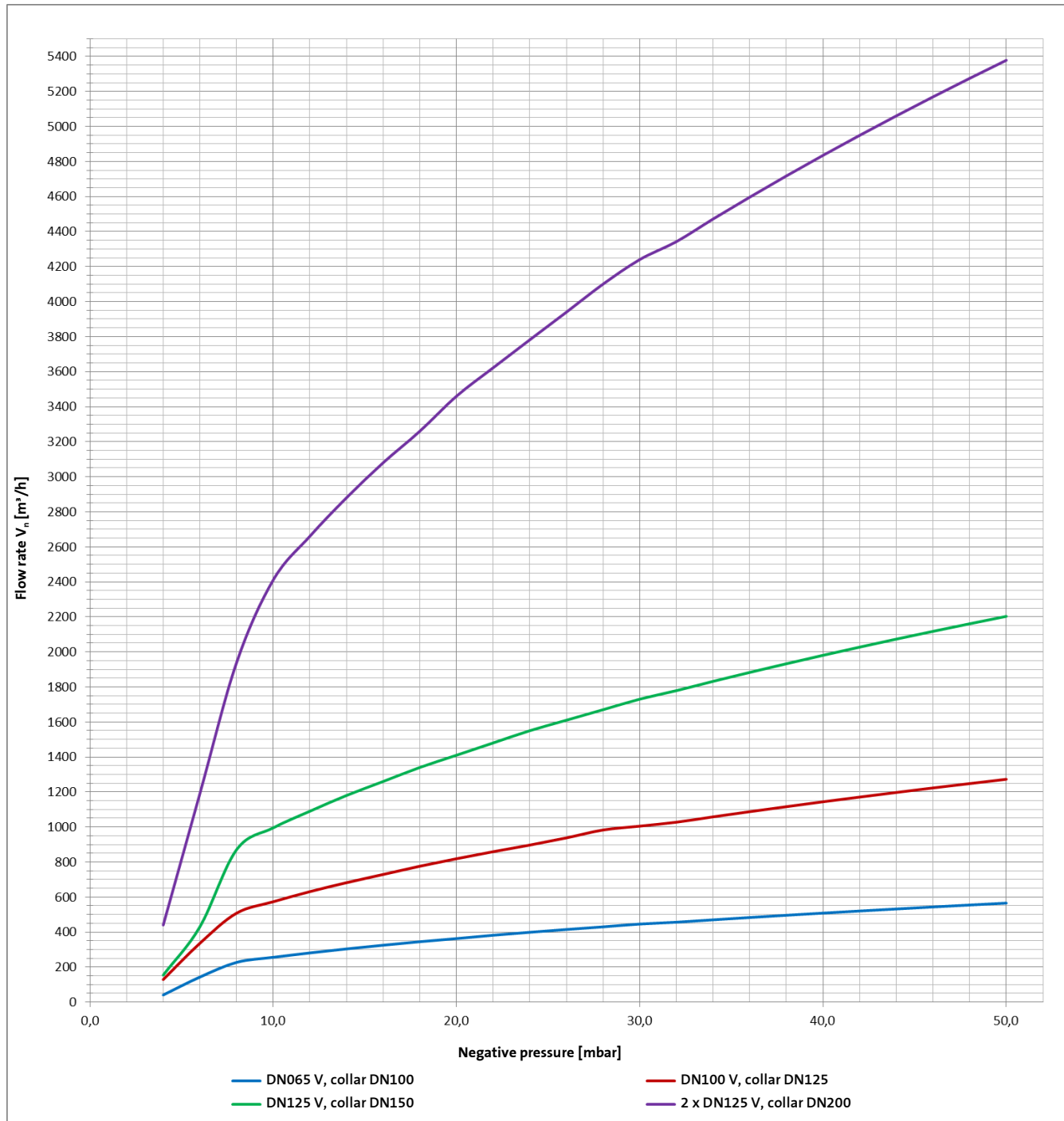
With product contact	Ra ≤ 0.8 μ
Without product contact	Ra ≤ 6.3 μ

Designs

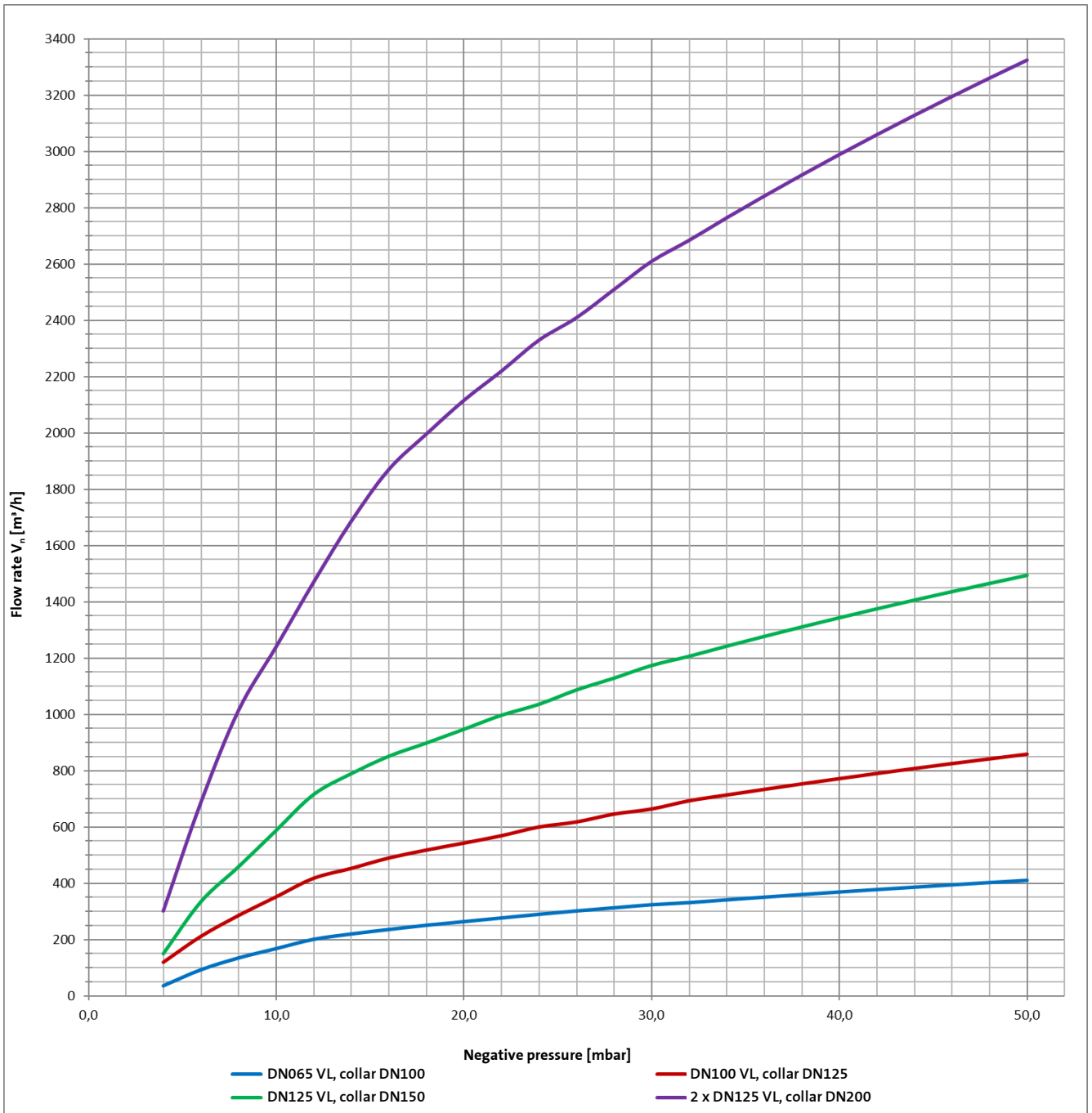
<p>Variants</p> 	<p>Vacuum valve V without collector</p> <p>Vacuum valve VL with collector pneumatically liftable</p>
Additional equipment	Proximity switch M12x1 Heating

According to legal requirements
EU Machinery Directive 2006/42/EC

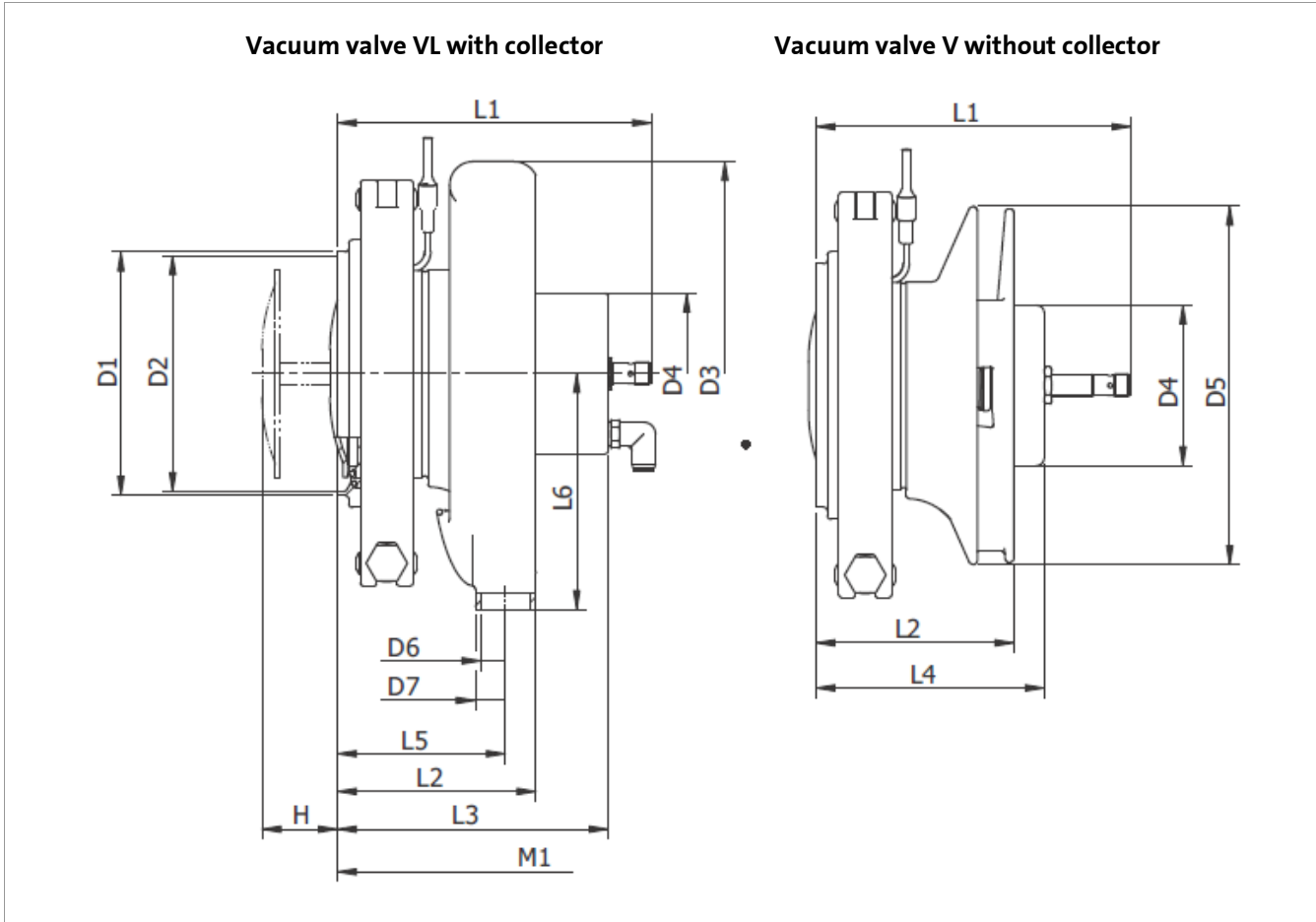
Flow rate values for vacuum valve V without collector



Flow rate values for vacuum valve VL with collector



VACUUM VALVE V



Dimensions

DN	D1 mm	D2 mm	D3 mm	D4 mm	D5 mm	D6 mm	D7 mm	L1 mm	L2 mm	L3 mm	L4 mm	L5 mm	L6 mm	M1 mm	H mm
65	104	100	156	58	128	16	21	138	74	111	91	63	90	165	27
100	129	125	225	85	190	26	32	167	106	144	121	89	125	200	40
100	154	150	225	85	190	26	32	167	106	144	121	89	125	200	40
125	154	150	272	85	222	38	44	200	140	177	154	118	150	235	63
125	204	200	272	85	222	38	44	200	140	177	154	118	150	235	63

Weight

DN	V kg	VL kg
65	2,7	3,8
100	7,2	9,4
125	7,2	9,4

Seal material: E: VMQ / EPDM
F: VMQ / FKM
H: VMQ / HNBR

Proximity switch: I (with proximity switch)
O (without proximity switch)

With heating cartridge

Example for Description:

Vacuum Valve V DN100 E O H

Diameter


Type: V Vacuum valve

VL Vacuum valve with collector

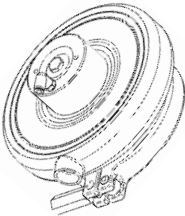
VACUUM VALVE V

Without weld-on ring


V without collector
1.4404 / AISI 316L

	DN	- VMQ / EPDM		- VMQ / HNBR		- VMQ / FKM	
		Material no.	Price/€	Material no.	Price/€	Material no.	Price/€
25							
40							
50							
65	0904520912	585,00 €					
80							
100	0904487921	890,00 €					
125	0904607160	1.050,00 €					
150							

VL liftable with collector
1.4404 / AISI 316L

	DN	- VMQ / EPDM		- VMQ / HNBR		- VMQ / FKM	
		Material no.	Price/€	Material no.	Price/€	Material no.	Price/€
25							
40							
50							
65	0904520288	895,00 €					
80							
100	0904487922	1.380,00 €					
125	0904607162	1.610,00 €					
150							

Weld-on ring V
1.4404 / AISI 316L

	DN	DN	Material no.	Price/€
	Vacuum valve	Welded connection		
65	100	0904320040	85,00 €	
100	125	0903703915	210,00 €	
100	150	0903811309	290,00 €	
125	150	0904126484	290,00 €	
125	200	0904153286	420,00 €	

SPARE PARTS VACUUM VALVE V

Seal kit V without collector

DN	VMQ / EPDM		VMQ / HNBR		VMQ / FKM	
	Material no.	Price/€	Material no.	Price/€	Material no.	Price/€
40						
50						
65	0904927781	75,00 €				
80						
100	0904927782	130,00 €				
125	0904927784	170,00 €				
150						

Seal kit VL liftable with collector

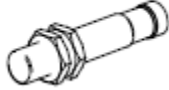
DN	VMQ / EPDM		VMQ / HNBR		VMQ / FKM	
	Material no.	Price/€	Material no.	Price/€	Material no.	Price/€
40						
50						
65	0904926955	83,00 €				
80						
100	0904927657	145,00 €				
125	0904927780	190,00 €				
150						

Bearing set

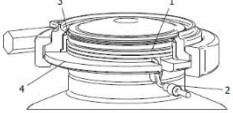
DN	Material no.	Price/€
	25	
40		
50		
65	0902161986	4,90 €
80		
100	0129900062	5,80 €
125	0129900062	5,80 €
150		

ADDITIONAL EQUIPMENT VACUUM VALVE V

Proximity switch M12x1

	DN	24 V DC self-limiting	
		Material no.	Price/€
	25	0902261673	65,00 €
	40		
	50		
	65		
	80		
	100		
	125		
150			

Heating cartridge RP, coiled

	DN	24 V DC self-limiting	
		Material no.	Price/€
	40		
	50		
	65	0904427591	280,00 €
	80		
	100	0904386062	298,00 €
	125	0904391185	360,00 €
	150		

6 Double Seal Valve D



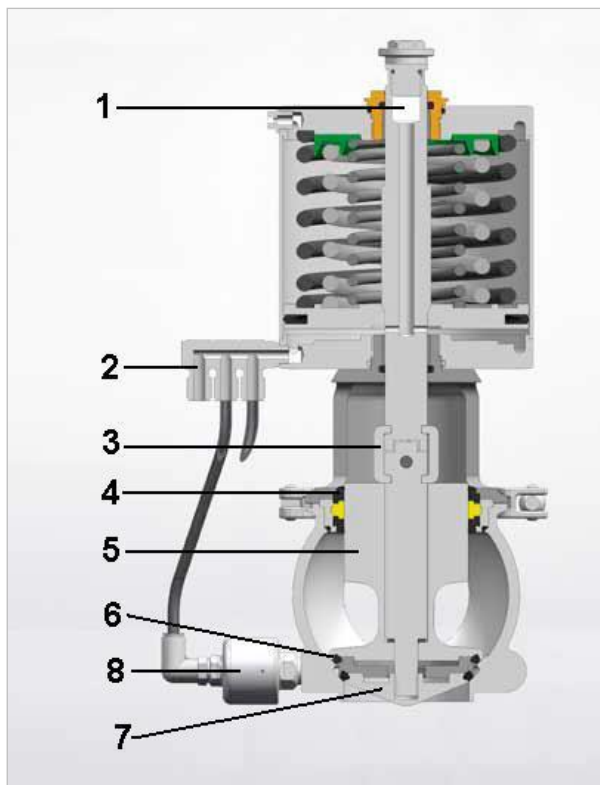
INFORMATION

The EVOGUARD double seal valve provides safe isolation of product chambers as well as seal monitoring. This seat valve has a threaded valve disk, a built-in safety chamber and two seals. The safety chamber can be monitored and cleaned using two flushing valves.

Any seal defect causes leakage which can be detected at the flush valve. The seal can then be quickly replaced. All of the other design details are the same as on the single seat valve. The valves are suitable for safe separation of media and they have a monitoring function.

Design features of modular double seal valves

- Same seals used for sealing the valve disk
- Three-piece threaded valve disk for the sealing ring for ease of installation
- Leakage detection with flushing valves
- Tangential inflow of flushing medium for optimal cleaning effect
- Specially designed clearance for safe hygiene status at the sealing position
- Rotational decoupling on linkage between valve shaft and drive for torsion-free lift motion of the valve disk
- Shaft seal with wiper function protects against contamination ingress
- External air fitting supplied as standard feature
- Internal airflow when a control head is used



- 1 Internal airflow on version with control head
- 2 External air connection
- 3 Valve shaft connection with rotational decoupling
- 4 Shaft seal with wiper function
- 5 Valve disk with balancer
- 6 Metal stop
- 7 Three-piece valve disk, threaded
- 8 Flushing valve

TECHNICAL DATA

Pressures

Product pressure	PN 87 psi (6 bar), 145 psi (10 bar) / vacuum -13.8 psi (-0.95 bar)
Housing	PN 360 psi (25 bar)
Control air pressure	min. 87 psi (6 bar) - max. 115 psi (8 bar)

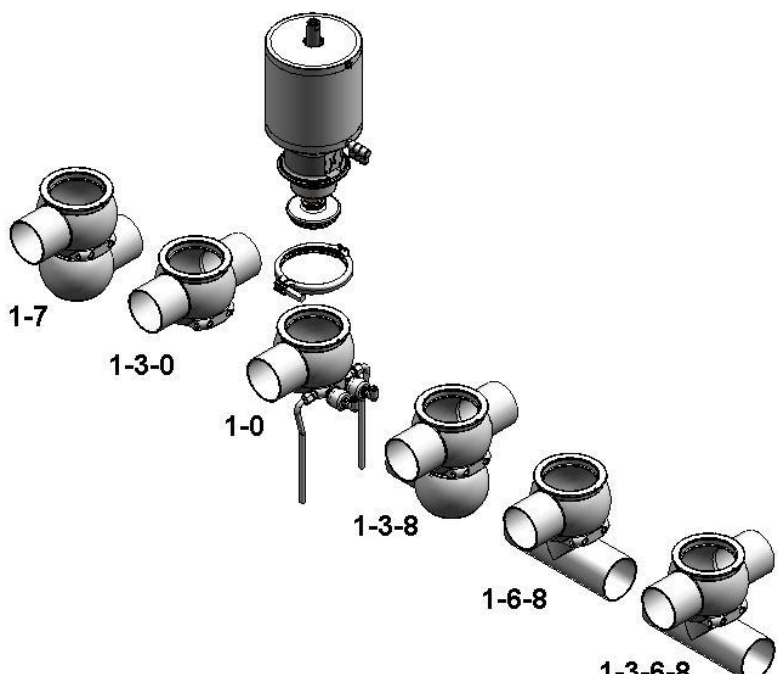
Material

With product contact	1.4404 / AISI 316L
Without product contact	1.4301
Seal	EPDM / FDA Further materials available upon request

Surface

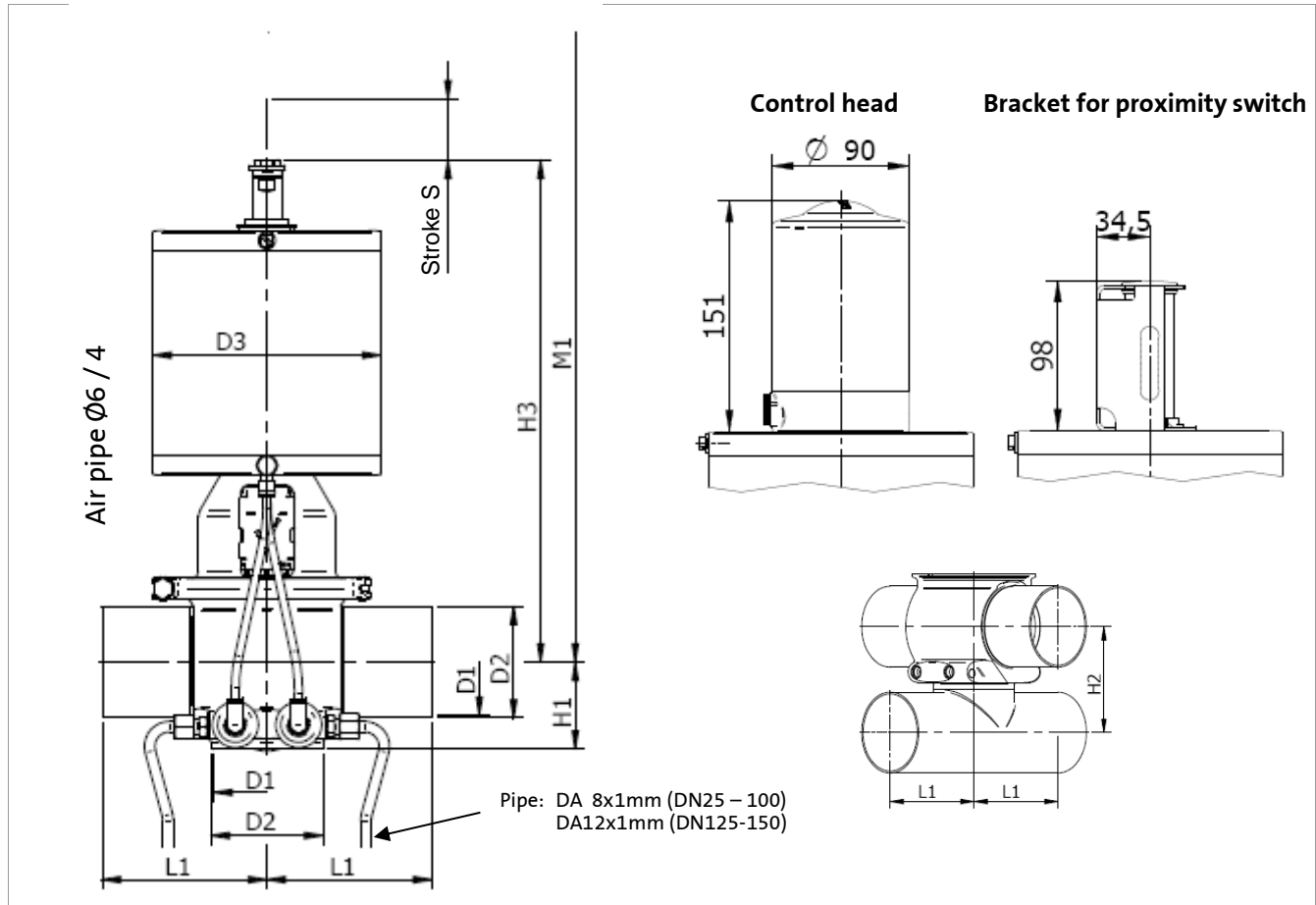
With product contact	Ra ≤ 0.8 μ
Without product contact	Ra ≤ 1.6 μ

Designs

Housing versions	
Actuator	Pneumatic actuator NC
Additional equipment	Control head Proximity switch M12x1

According to legal requirements
EU Pressure Equipment Directive 2014/68/EU
EU Machinery Directive 2006/42/EC
Design check by TÜV Süd

DOUBLE SEAL VALVE D NC DN

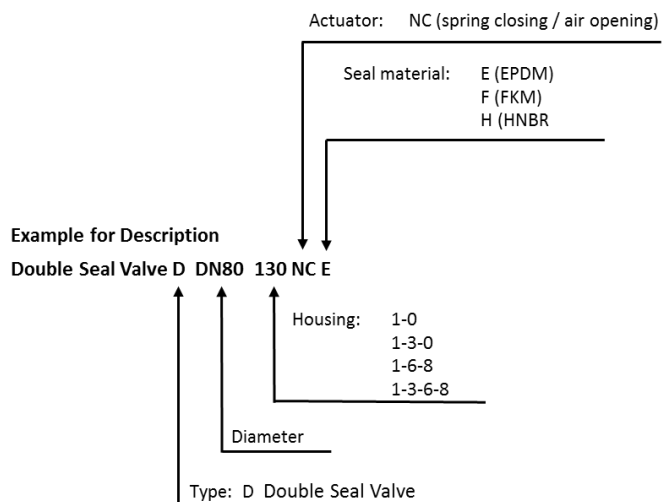


Dimensions

DN	ØD1 mm	ØD2 mm	ØD3 6 bar mm	ØD3 10 bar mm	L1 mm	H1 mm	H2 mm	H3 mm	M1 mm	Stroke mm
25	26	29		89	90	37	54	284	370	9
40	38	41		108	90	43	66	282	380	14
50	50	53		108	90	49	77	282	390	19
65	66	70	108	133	125	58	93	291	420	22
80	81	85	133	173	125	66	111	314	450	26
100	100	104	173	216	125	75	127	397	560	32
125	125	129	216	216	150	82	149	422	620	36
150	150	154	216	216	150	95	175	637	850	42

Weight

DN	1-0 kg	1-3-0 kg	1-6-8 kg	1-3-6-8 kg
25	5,9			
40	11,9			
50	12,0			
65	14,3			
80	25,4			
100	42,1			
125	69,8			
150	84,1			



DOUBLE SEAL VALVE D NC PRODUCT PRESSURE 6 BAR DN

Including switch mount for proximity switch

1-0
1.4404 / AISI 316L

DN	- EPDM		- HNBR		- FKM	
	Material no.	Price/€	Material no.	Price/€	Material no.	Price/€
25						
40						
50						
65		2.097,00 €		2.141,00 €		2.185,00 €
80	0906026307	2.387,00 €		2.439,00 €		2.491,00 €
100	0903986405	2.847,00 €		2.908,00 €		2.969,00 €
125	0902789892	5.569,00 €		5.668,00 €		5.767,00 €
150	0902970036	6.415,00 €		6.519,50 €		6.624,00 €

1-3-0
1.4404 / AISI 316L

DN	- EPDM		- HNBR		- FKM	
	Material no.	Price/€	Material no.	Price/€	Material no.	Price/€
25						
40						
50						
65	0905290541	2.191,00 €		2.235,00 €		2.279,00 €
80	0906026309	2.492,00 €		2.544,00 €		2.596,00 €
100	0903916903	2.971,00 €		3.032,00 €		3.093,00 €
125	0902969181	5.712,00 €		5.811,00 €		5.910,00 €
150	0902764446	6.574,00 €		6.678,50 €		6.783,00 €

1-6-8
1.4404 / AISI 316L

DN	- EPDM		- HNBR		- FKM	
	Material no.	Price/€	Material no.	Price/€	Material no.	Price/€
25						
40						
50						
65		2.285,00 €		2.329,00 €		2.373,00 €
80		2.597,00 €		2.649,00 €		2.701,00 €
100	0903712644	3.095,00 €		3.156,00 €		3.217,00 €
125	0904183608	5.855,00 €		5.954,00 €		6.053,00 €
150		6.733,00 €		6.837,50 €		6.942,00 €

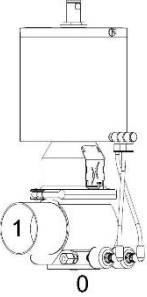
1-3-6-8
1.4404 / AISI 316L

DN	- EPDM		- HNBR		- FKM	
	Material no.	Price/€	Material no.	Price/€	Material no.	Price/€
25						
40						
50						
65	0902305220	2.379,00 €		2.423,00 €		2.467,00 €
80		2.702,00 €		2.754,00 €		2.806,00 €
100	0904705488	3.219,00 €		3.280,00 €		3.341,00 €
125	0903031728	5.998,00 €		6.097,00 €		6.196,00 €
150		6.892,00 €		6.996,50 €		7.101,00 €

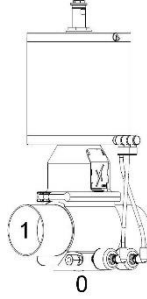
DOUBLE SEAL VALVE D NC PRODUCT PRESSURE 10 BAR DN

Including switch mount for proximity switch

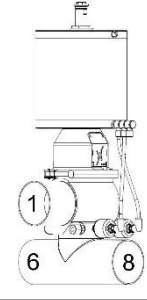
1-0
1.4404 / AISI 316L

	DN	- EPDM		- HNBR		- FKM	
		Material no.	Price/€	Material no.	Price/€	Material no.	Price/€
	25	0902305203	1.845,00 €		1.877,00 €	0903717049	1.909,00 €
	40	0903488070	1.937,00 €		1.973,50 €		2.010,00 €
	50	0903045299	1.965,00 €		2.001,50 €		2.038,00 €
	65	0902305206	2.331,00 €		2.375,00 €		2.419,00 €
	80	0902305207	2.711,00 €	0903741923	2.763,00 €		2.815,00 €
	100	0902305209	3.231,00 €		3.292,00 €		3.353,00 €
	125	0904457521	6.449,00 €		6.548,00 €		6.647,00 €
	150	0903633049	7.515,00 €		7.619,50 €		7.724,00 €

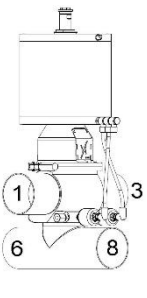
1-3-0
1.4404 / AISI 316L

	DN	- EPDM		- HNBR		- FKM	
		Material no.	Price/€	Material no.	Price/€	Material no.	Price/€
	25	0902305166	1.916,00 €		1.948,00 €	0902962638	1.980,00 €
	40	0903488038	2.017,00 €		2.053,50 €		2.090,00 €
	50	0903597067	2.049,00 €		2.085,50 €		2.122,00 €
	65	0902305169	2.425,00 €	0903940346	2.469,00 €		2.513,00 €
	80	0902305200	2.816,00 €	0904133944	2.868,00 €		2.920,00 €
	100	0902305202	3.355,00 €		3.416,00 €		3.477,00 €
	125	0903597181	6.592,00 €		6.691,00 €		6.790,00 €
	150		7.674,00 €		7.778,50 €		7.883,00 €

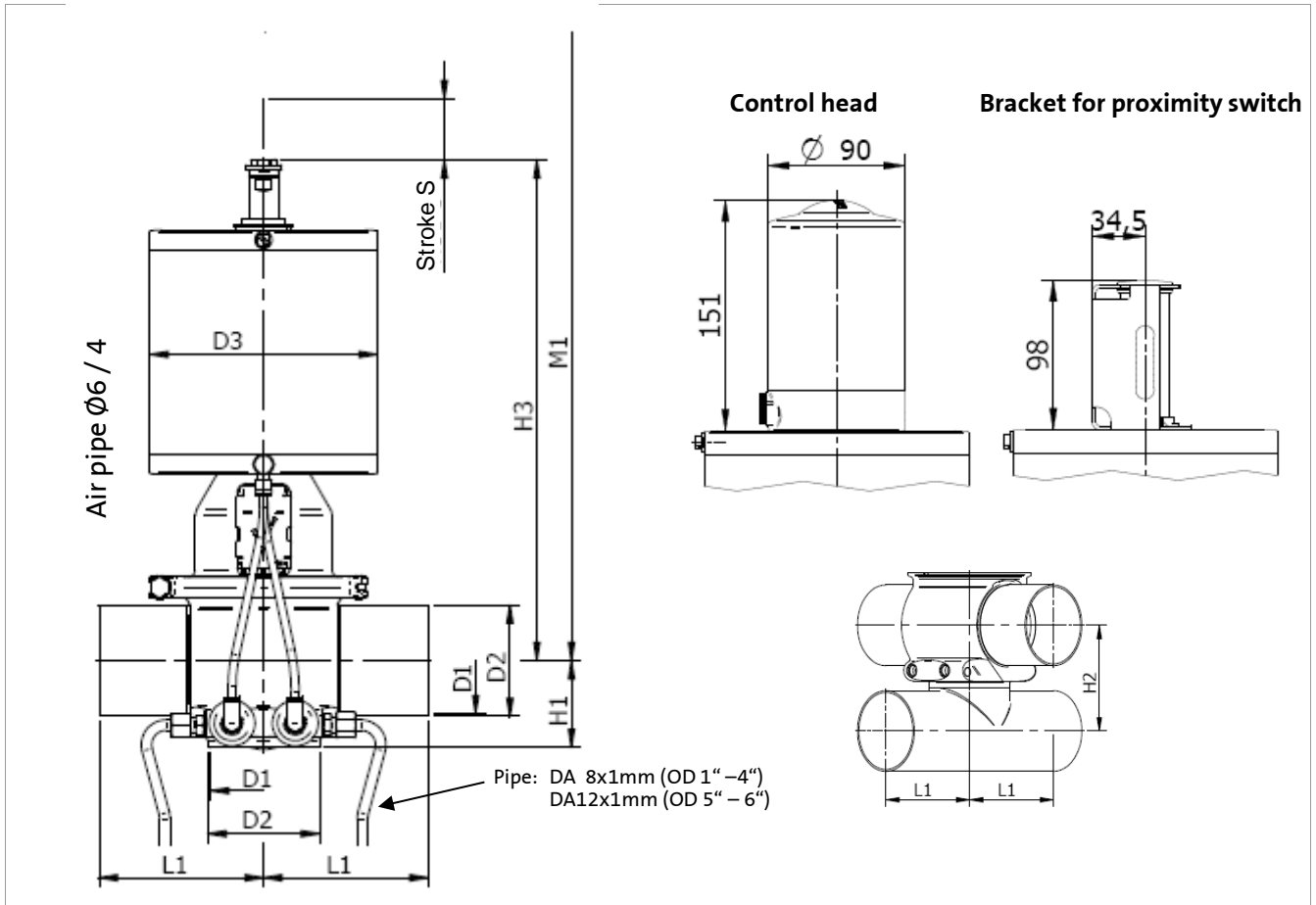
1-6-8
1.4404 / AISI 316L

	DN	- EPDM		- HNBR		- FKM	
		Material no.	Price/€	Material no.	Price/€	Material no.	Price/€
	25	0903389195	1.987,00 €		2.019,00 €		2.051,00 €
	40	0903031079	2.097,00 €		2.133,50 €		2.170,00 €
	50	0904207111	2.133,00 €		2.169,50 €		2.206,00 €
	65	0902305213	2.519,00 €		2.563,00 €		2.607,00 €
	80	0902305212	2.921,00 €		2.973,00 €		3.025,00 €
	100	0903016348	3.479,00 €		3.540,00 €		3.601,00 €
	125	0904680309	6.735,00 €		6.834,00 €		6.933,00 €
	150		7.833,00 €		7.937,50 €		8.042,00 €

1-3-6-8
1.4404 / AISI 316L

	DN	- EPDM		- HNBR		- FKM	
		Material no.	Price/€	Material no.	Price/€	Material no.	Price/€
	25		2.058,00 €		2.090,00 €		2.122,00 €
	40	0904083636	2.177,00 €		2.213,50 €		2.250,00 €
	50	0903618938	2.217,00 €		2.253,50 €		2.290,00 €
	65	0902305220	2.613,00 €		2.657,00 €		2.701,00 €
	80	0902305221	3.026,00 €	0903741921	3.078,00 €		3.130,00 €
	100	0903016349	3.603,00 €		3.664,00 €		3.725,00 €
	125	0904680308	6.878,00 €		6.977,00 €		7.076,00 €
	150		7.992,00 €		8.096,50 €		8.201,00 €

DOUBLE SEAL VALVE NC OD

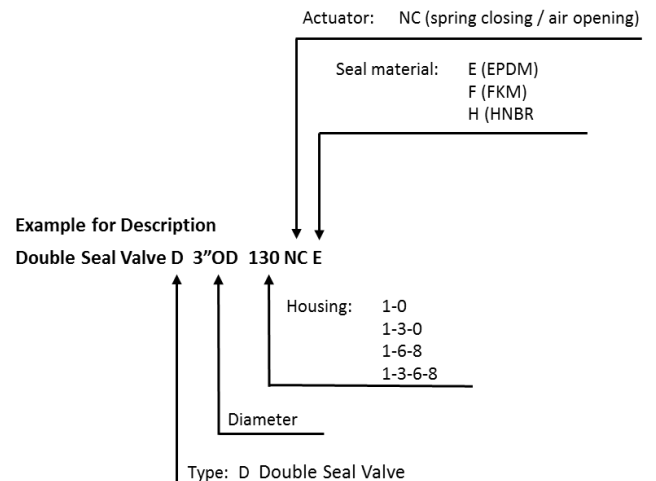


Dimensions

Inch OD	ØD1 mm	ØD2 mm	ØD3 6 bar mm	ØD3 10 bar mm	L1 mm	H1 mm	H2 mm	H3 mm	M1 mm	Stroke mm
1"	22,1	25,4		89	90	37	54	284	370	9
1,5"	34,8	38,1		108	90	43	66	282	380	14
2"	47,5	50,8		108	90	49	77	282	390	19
2,5"	60,2	63,5	108	133	125	58	93	291	420	22
3"	76,2	72,9	133	173	125	66	111	314	450	26
4"	97,38	101,6	173	216	125	75	127	397	560	32
5"										
6"	146,9	152,4	216	216	150	95	175	637	850	42

Weight

Inch OD	1-0 kg	1-3-0 kg	1-6-8 kg	1-3-6-8 kg
1"	5,9			
1,5"	11,9			
2"	12,0			
2,5"	14,3			
3"	25,4			
4"	42,1			
5"				
6"	84,1			



DOUBLE SEAL VALVE D NC PRODUCT PRESSURE 6 BAR OD

Including switch mount for proximity switch

1-0
1.4404 / AISI 316L

Inch OD	- EPDM		- HNBR		- FKM	
	Material no.	Price/€	Material no.	Price/€	Material no.	Price/€
1"						
1,5"						
2"						
2,5"		2.097,00 €		2.141,00 €		2.185,00 €
3"	0905959750	2.387,00 €		2.439,00 €		2.491,00 €
4"		2.847,00 €		2.908,00 €		2.969,00 €
5"						
6"		6.415,00 €		6.519,50 €		6.624,00 €

1-3-0
1.4404 / AISI 316L

Inch OD	- EPDM		- HNBR		- FKM	
	Material no.	Price/€	Material no.	Price/€	Material no.	Price/€
1"						
1,5"						
2"						
2,5"	0904837349	2.191,00 €		2.235,00 €		2.279,00 €
3"	0906029869	2.492,00 €		2.544,00 €		2.596,00 €
4"	0904837500	2.971,00 €		3.032,00 €		3.093,00 €
5"						
6"		6.574,00 €		6.678,50 €		6.783,00 €

1-6-8
1.4404 / AISI 316L

Inch OD	- EPDM		- HNBR		- FKM	
	Material no.	Price/€	Material no.	Price/€	Material no.	Price/€
1"						
1,5"						
2"						
2,5"		2.285,00 €		2.329,00 €		2.373,00 €
3"		2.597,00 €		2.649,00 €		2.701,00 €
4"		3.095,00 €		3.156,00 €		3.217,00 €
5"						
6"		6.733,00 €		6.837,50 €		6.942,00 €

1-3-6-8
1.4404 / AISI 316L

Inch OD	- EPDM		- HNBR		- FKM	
	Material no.	Price/€	Material no.	Price/€	Material no.	Price/€
1"						
1,5"						
2"						
2,5"		2.379,00 €		2.423,00 €		2.467,00 €
3"		2.702,00 €		2.754,00 €		2.806,00 €
4"		3.219,00 €		3.280,00 €		3.341,00 €
5"						
6"		6.892,00 €		6.996,50 €		7.101,00 €

DOUBLE SEAL VALVE D NC PRODUCT PRESSURE 10 BAR OD

Including switch mount for proximity switch

1-0
1.4404 / AISI 316L

Inch OD	- EPDM		- HNBR		- FKM	
	Material no.	Price/€	Material no.	Price/€	Material no.	Price/€
1"		1.845,00 €		1.877,00 €		1.909,00 €
1,5"		1.937,00 €		1.973,50 €		2.010,00 €
2"		1.965,00 €		2.001,50 €		2.038,00 €
2,5"		2.331,00 €		2.375,00 €		2.419,00 €
3"		2.711,00 €		2.763,00 €		2.815,00 €
4"	0904256900	3.231,00 €		3.292,00 €		3.353,00 €
5"						
6"		7.515,00 €		7.619,50 €		7.724,00 €

1-3-0
1.4404 / AISI 316L

Inch OD	- EPDM		- HNBR		- FKM	
	Material no.	Price/€	Material no.	Price/€	Material no.	Price/€
1"	0904250372	1.916,00 €		1.948,00 €		1.980,00 €
1,5"	0904837340	2.017,00 €		2.053,50 €		2.090,00 €
2"	0904837342	2.049,00 €		2.085,50 €		2.122,00 €
2,5"	0903517071	2.425,00 €		2.469,00 €		2.513,00 €
3"	0904486842	2.816,00 €		2.868,00 €		2.920,00 €
4"		3.355,00 €		3.416,00 €		3.477,00 €
5"						
6"		7.674,00 €		7.778,50 €		7.883,00 €

1-6-8
1.4404 / AISI 316L

Inch OD	- EPDM		- HNBR		- FKM	
	Material no.	Price/€	Material no.	Price/€	Material no.	Price/€
1"		1.987,00 €		2.019,00 €		2.051,00 €
1,5"		2.097,00 €		2.133,50 €		2.170,00 €
2"		2.133,00 €		2.169,50 €		2.206,00 €
2,5"		2.519,00 €		2.563,00 €		2.607,00 €
3"	0904706933	2.921,00 €		2.973,00 €		3.025,00 €
4"		3.479,00 €		3.540,00 €		3.601,00 €
5"						
6"		7.833,00 €		7.937,50 €		8.042,00 €

1-3-6-8
1.4404 / AISI 316L

Inch OD	- EPDM		- HNBR		- FKM	
	Material no.	Price/€	Material no.	Price/€	Material no.	Price/€
1"		2.058,00 €		2.090,00 €		2.122,00 €
1,5"		2.177,00 €		2.213,50 €		2.250,00 €
2"		2.217,00 €		2.253,50 €		2.290,00 €
2,5"		2.613,00 €		2.657,00 €		2.701,00 €
3"		3.026,00 €		3.078,00 €		3.130,00 €
4"		3.603,00 €		3.664,00 €		3.725,00 €
5"						
6"		7.992,00 €		8.096,50 €		8.201,00 €

SPARE PARTS DOUBLE SEAL VALVE D

Seal kit with product contact DN

DN	EPDM		HNBR		FKM	
	Material no.	Price/€	Material no.	Price/€	Material no.	Price/€
25	0902517123	64,00 €	0903943167	102,40 €	0903425395	140,80 €
40	0902517125	69,00 €	0903943168	110,40 €	0903943283	151,80 €
50	0902517125	69,00 €	0903943168	110,40 €	0903943283	151,80 €
65	0902517126	74,00 €	0903940348	118,40 €	0903943285	162,80 €
80	0902517127	82,00 €	0903943169	131,20 €	0090394326	180,40 €
100	0902517128	91,00 €	0903943280	145,60 €	0903943287	200,20 €
125	0902517129	126,00 €	0903943281	201,60 €	0903943288	277,20 €
150	0902517170	198,00 €	0903943282	316,80 €	0903943289	435,60 €

Seal kit with product contact OD

Inch OD	EPDM		HNBR		FKM	
	Material no.	Price/€	Material no.	Price/€	Material no.	Price/€
1"	0902517123	64,00 €	0903943167	102,40 €	0903425395	140,80 €
1,5"	0902517125	69,00 €	0903943168	110,40 €	0903943283	151,80 €
2"	0902517125	69,00 €	0903943168	110,40 €	0903943283	151,80 €
2,5"	0902517126	74,00 €	0903940348	118,40 €	0903943285	162,80 €
3"	0902517127	82,00 €	0903943169	131,20 €	0090394326	180,40 €
4"	0902517128	91,00 €	0903943280	145,60 €	0903943287	200,20 €
5"						
6"	0902517170	198,00 €	0903943282	316,80 €	0903943289	435,60 €

Seal kit, actuator

DN	Material no.	Price/€
	25	0902763710
40		
50		
65		
80		
100		
125		
150		

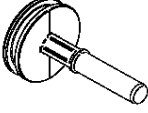
Bearing set

DN	Material no.	Price/€
	25	0902517063
40	0902517066	33,00 €
50	0902517066	33,00 €
65	0902517067	39,00 €
80	0902517069	48,00 €
100	0902517092	57,00 €
125	0902517093	77,00 €
150	0902517094	178,00 €

EVOGUARD

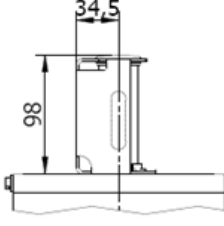
Double Seal Valve D

Piston for flushing valve

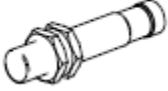
	DN	Material no.	Price/€
	25	0903627318	19,00 €
40			
50			
65			
80			
100	0903627390	34,00 €	
125			
150			

ADDITIONAL EQUIPMENT DOUBLE SEAL VALVE D

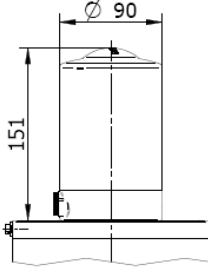
Proximity switch mount M12x1

	DN	Material no.	Price/€
	25	0903370971	118,00 €
	40		
	50		
	65		
	80		
	100		
	125		
	150		

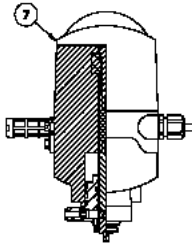
Proximity switch M12x1

	DN	Material no.	Price/€
	25	0901443696	21,20 €
	40		
	50		
	65		
	80		
	100		
	125		
	150		

Control head, 2 proximity switches

	DN	24 V DC 2 proximity switches 1 solenoid valve		24 V DC ASI 2 proximity switches 1 solenoid valve	
		Material no.	Price/€	Material no.	Price/€
	25	0903679847	294,00 €	0904737043	384,00 €
	40				
	50				
	65				
	80				
	100				
	125				
150					

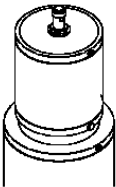
Control head, IO link

	DN	IO link Port class A (4-pole) 1 solenoid valve		IO link Port class B (5-pole) 1 solenoid valve	
		Material no.	Price/€	Material no.	Price/€
	25	799,00 €	870,00 €		
	40				
	50				
	65				
	80				
	100				
	125				
150					

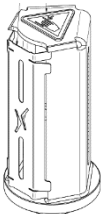
EVOGUARD

Double Seal Valve D

Damping cylinder

	DN	Material no.	Price/€
	25	0902823833	890,00 €
40			
50			
65			
80			
100			
125			
150			

Limit of stroke, position OPEN or CLOSE

	DN	Material no.	Price/€
	25	0903887569	247,00 €
40			
50			
65			
80			
100			
125			
150			

7 Double Seat Mixproof Valve M



INFORMATION

Double seat valves are needed to help manage the flow of product or cleaning fluids in highly automated systems. Pre-programmed routings can be used to control the production sequence.

Parallel flows in a tank farm can be reliably kept separate, increasing the efficiency of production operations.

The design configuration and seal geometry are the essential features of this valve technology.

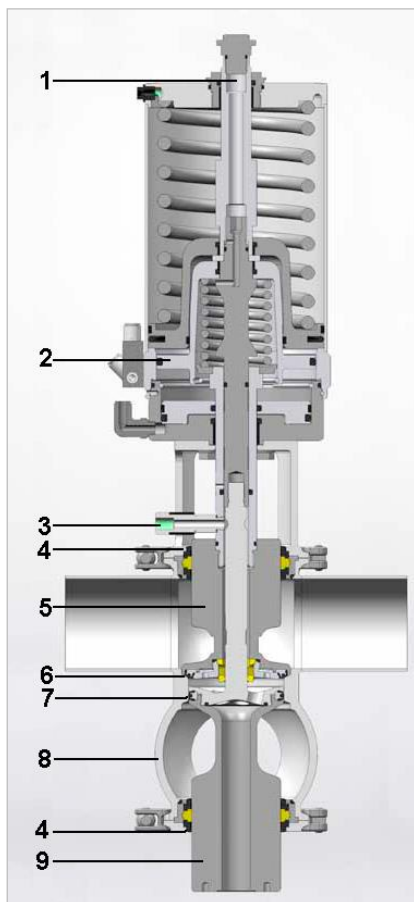
Two factors play a crucial role in design for maximum reliability and durability:

- axial and radial sealing in the valve housing using an identical seal and
- static fixing point decoupled from the dynamically loaded sealing point.

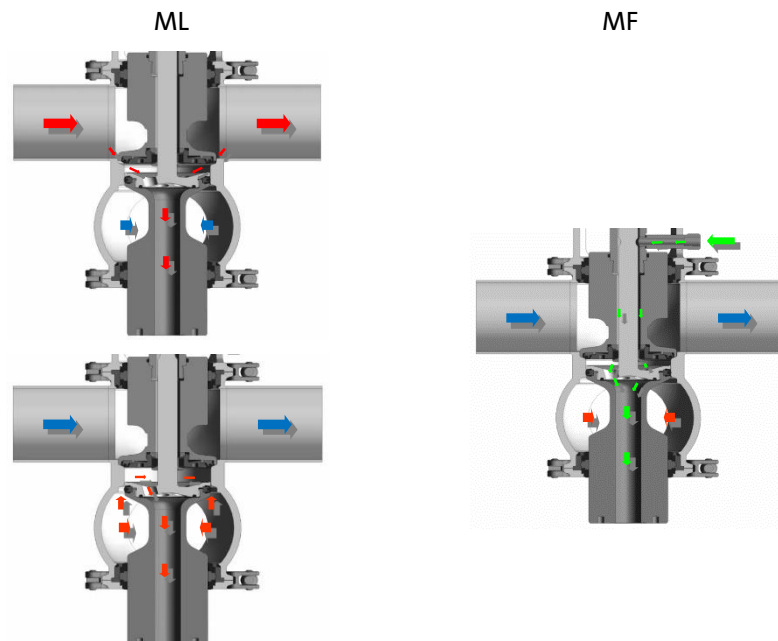
The actuator has a built-in timing function which supports fast, short cycle times and keeps air consumption to an absolute minimum. This gives machine designers great flexibility to deploy double seat valve blocks.

Design features of modular double seat mixproof valves

- New seal geometry, general-purpose seal for axial and radial sealing
- Defined clearance, seals easy to install
- Shaft seal with wiper function protects against contamination ingress
- Cleaning of leakage chamber via defined throttle gap by cycling the valve disk at the top or bottom type ML, optional cleaning via flushing connection type MF
- Valve disk in bottom and top housing with balancer
- Actuator with connection for internal airflow
- New actuator design with built-in timing function for double seat mixproof valves
- Switching without leakage



- 1 Internal airflow on version with control head
- 2 Actuator with integrated timing function
- 3 Flushing connection
- 4 Shaft seal with wiper function
- 5 Valve disk at top with balancer
- 6 Axial seal
- 7 Radial seal
- 8 Single-piece housing / no dead space
- 9 Valve disk bottom with balancer



TECHNICAL DATA

Pressures

Product pressure	PN 145 psi (10 bar) / vacuum -13.8 psi (-0.95 bar)
Housing	PN 360 psi (25 bar)
Control air pressure	min. 87 psi (6 bar) - max. 115 psi (8 bar)
Pressure resistance	min. 650 psi (45 bar)

Material

With product contact	1.4404 / AISI 316L
Without product contact	1.4301
Seal	EPDM / FDA Further materials available upon request

Surface

With product contact	$Ra \leq 0.8 \mu$
Without product contact	$Ra \leq 1.6 \mu$

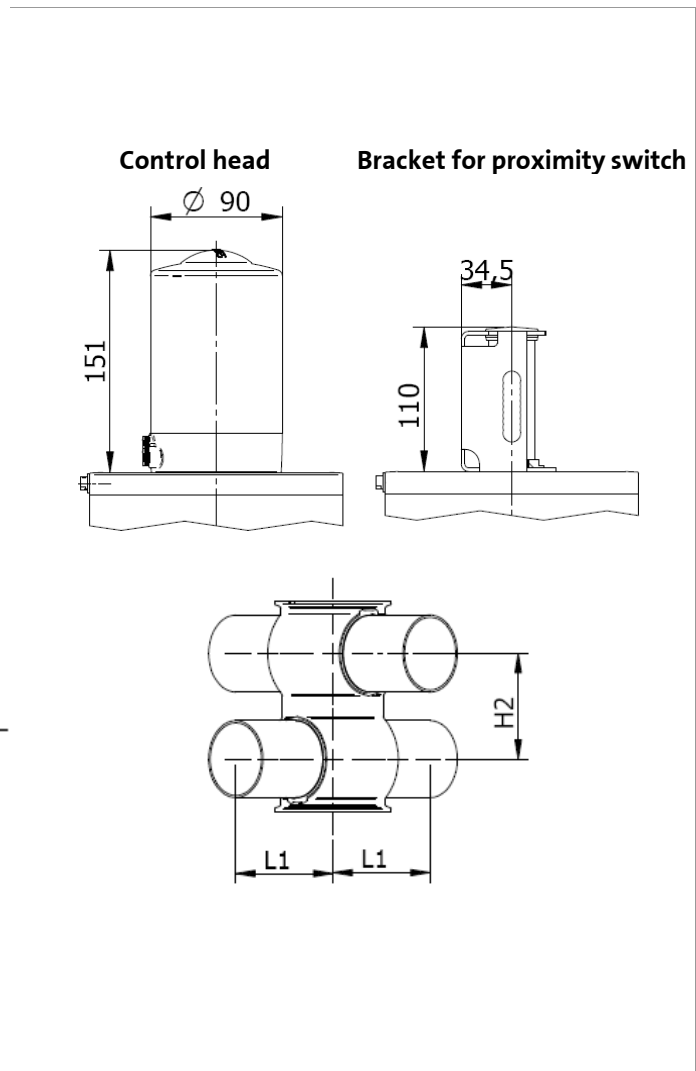
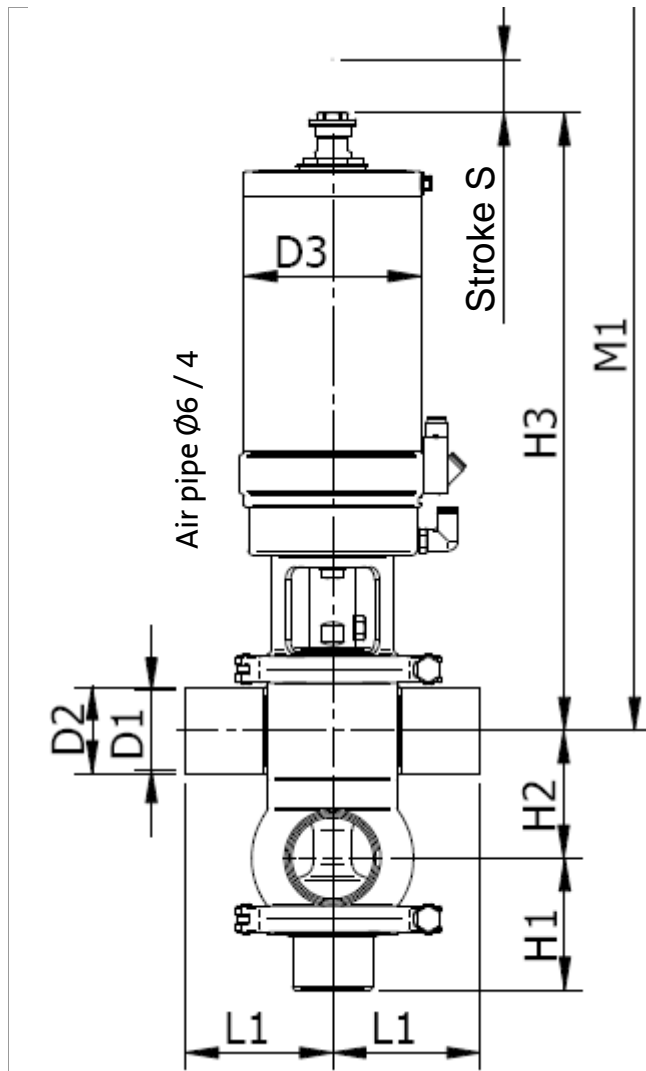
Designs

Housing versions	
Actuator	Pneumatic actuator NC
Additional equipment	Control head Proximity switch M12x1

According to legal requirements
 EU Pressure Equipment Directive 2014/68/EU
 EU Machinery Directive 2006/42/EC
 Design check by TÜV Süd



DOUBLE SEAT MIXPROOF VALVE M DN

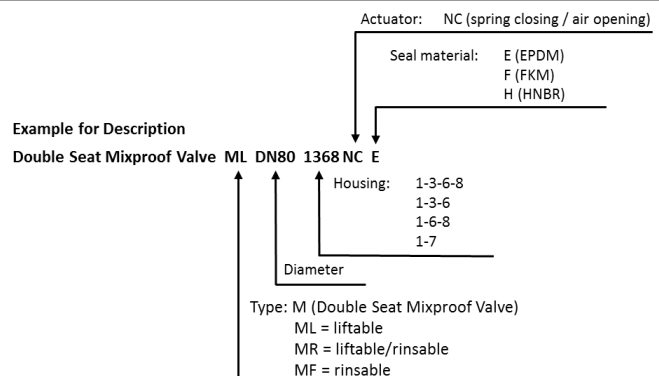


Dimensions

DN	ØD1 mm	ØD2 mm	ØD3 mm	L1 mm	H1 mm	H2 mm	H3 mm	M1 mm	Stroke mm
25	26	29	89	90	66	53	316	490	20
40	38	41	108	90	70	66	373	540	24
50	50	53	108	90	81	78	381	585	31
65	66	70	133	125	100	96	434	680	38
80	81	85	133	125	110	111	443	720	42
100	100	104	133	125	131	130	461	805	48
125	125	129	177	150	159	155	571	980	57
150	150	154	177	150	181	180	584	1050	67

Weight

DN	1-3-6-8 kg	1-6-8 kg	1-3-8 kg	1-7 kg
25	8,2	8,2	8,2	8,2
40	13,2	13,2	13,2	13,2
50	13,9	13,7	13,7	13,7
65	21,7	21,2	21,2	20,8
80	27,0	27,0	27,0	27,6
100	37,2	29,1	29,1	29,3
125	66,9	62,3	62,3	67,9
150	94,6	91,0	91,0	94,9



DOUBLE SEAT MIXPROOF VALVE ML LIFTABLE DN

Including switch mount for proximity switch

1-3-6-8

1.4404 / AISI 316L

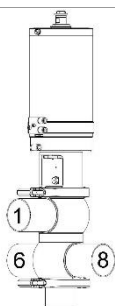
DN	- EPDM		- HNBR		- FKM	
	Material no.	Price/€	Material no.	Price/€	Material no.	Price/€
25	0903389766	2.116,00 €		2.203,00 €		2.290,00 €
40	0902296803	2.708,00 €		2.795,00 €	0902966169	2.882,00 €
50	0902297085	2.808,00 €	0904353222	2.895,00 €	0903173474	2.982,00 €
65	0902297712	3.208,00 €	0903940341	3.313,00 €	0903559932	3.418,00 €
80	0902297759	3.808,00 €	0904136548	3.933,00 €	0902842668	4.058,00 €
100	0902297858	4.908,00 €		5.066,00 €	0903139362	5.224,00 €
125	0902416684	6.518,00 €		6.713,00 €		6.908,00 €
150	0902847411	7.718,00 €		7.933,00 €	0904968451	8.148,00 €



1-6-8

1.4404 / AISI 316L

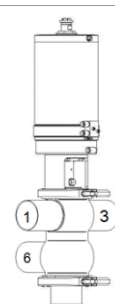
DN	- EPDM		- HNBR		- FKM	
	Material no.	Price/€	Material no.	Price/€	Material no.	Price/€
25	0904009265	2.036,00 €		2.123,00 €		2.210,00 €
40	0902344283	2.628,00 €		2.715,00 €	0902966166	2.802,00 €
50	0902344655	2.724,00 €	0904353224	2.811,00 €	0903173479	2.898,00 €
65	0902326665	3.114,00 €		3.219,00 €		3.324,00 €
80	0902326838	3.703,00 €		3.828,00 €	0903112926	3.953,00 €
100	0902804047	4.784,00 €		4.942,00 €	0903139460	5.100,00 €
125	0902569377	6.375,00 €		6.570,00 €		6.765,00 €
150	0904519086	7.520,00 €		7.735,00 €		7.950,00 €



1-3-6

1.4404 / AISI 316L

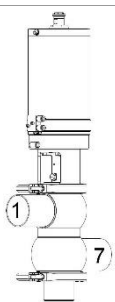
DN	- EPDM		- HNBR		- FKM	
	Material no.	Price/€	Material no.	Price/€	Material no.	Price/€
25	0904105117	2.036,00 €		2.123,00 €		2.210,00 €
40	0902344341	2.628,00 €		2.715,00 €	0902842659	2.802,00 €
50	0902344628	2.724,00 €	0904353225	2.811,00 €	0904218276	2.898,00 €
65	0902328514	3.114,00 €		3.219,00 €	0903683596	3.324,00 €
80	0902334646	3.703,00 €		3.828,00 €	0902842667	3.953,00 €
100	0902740300	4.784,00 €		4.942,00 €	0903139385	5.100,00 €
125	0903188729	6.375,00 €		6.570,00 €		6.765,00 €
150	0903635920	7.520,00 €		7.735,00 €		7.950,00 €



1-7

1.4404 / AISI 316L

DN	- EPDM		- HNBR		- FKM	
	Material no.	Price/€	Material no.	Price/€	Material no.	Price/€
25	0904652037	1.956,00 €		2.043,00 €		2.130,00 €
40	0902508329	2.548,00 €		2.635,00 €	0902842759	2.722,00 €
50	0902327392	2.640,00 €	0904368950	2.727,00 €	0904188676	2.814,00 €
65	0902491824	3.020,00 €		3.125,00 €	0903188668	3.230,00 €
80	0902774521	3.598,00 €		3.723,00 €	0902842666	3.848,00 €
100	0902774523	4.660,00 €		4.818,00 €	0903139466	4.976,00 €
125	0902956291	6.232,00 €		6.427,00 €		6.622,00 €
150	0904652040	7.322,00 €		7.537,00 €		7.752,00 €



DOUBLE SEAT MIXPROOF VALVE MR LIFTABLE / RINSABLE DN

Including switch mount for proximity switch

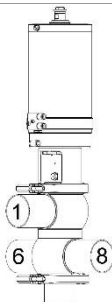
1-3-6-8

1.4404 / AISI 316L

	DN	- EPDM		- HNBR		- FKM	
		Material no.	Price/€	Material no.	Price/€	Material no.	Price/€
	25		2.216,00 €		2.303,00 €		2.390,00 €
	40	0902201461	2.808,00 €		2.895,00 €		2.982,00 €
	50	0902297083	2.908,00 €		2.995,00 €		3.082,00 €
	65	0902180723	3.308,00 €		3.413,00 €	0903878730	3.518,00 €
	80	0902290291	3.908,00 €		4.033,00 €		4.158,00 €
	100	0902182072	5.008,00 €		5.166,00 €		5.324,00 €
	125	0903428968	6.618,00 €		6.813,00 €		7.008,00 €
	150	0905031074	7.818,00 €		8.033,00 €		8.248,00 €

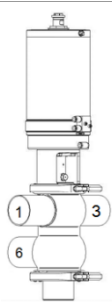
1-6-8

1.4404 / AISI 316L

	DN	- EPDM		- HNBR		- FKM	
		Material no.	Price/€	Material no.	Price/€	Material no.	Price/€
	25		2.136,00 €		2.223,00 €		2.310,00 €
	40		2.728,00 €		2.815,00 €		2.902,00 €
	50	0903429641	2.824,00 €		2.911,00 €		2.998,00 €
	65	0903727325	3.214,00 €		3.319,00 €	0903885645	3.424,00 €
	80		3.803,00 €		3.928,00 €		4.053,00 €
	100	0903429667	4.884,00 €		5.042,00 €		5.200,00 €
	125		6.475,00 €		6.670,00 €		6.865,00 €
	150		7.620,00 €		7.835,00 €		8.050,00 €

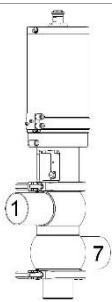
1-3-6

1.4404 / AISI 316L

	DN	- EPDM		- HNBR		- FKM	
		Material no.	Price/€	Material no.	Price/€	Material no.	Price/€
	25		2.136,00 €		2.223,00 €		2.310,00 €
	40		2.728,00 €		2.815,00 €		2.902,00 €
	50		2.824,00 €		2.911,00 €		2.998,00 €
	65		3.214,00 €		3.319,00 €	0904478584	3.424,00 €
	80	0903182265	3.803,00 €		3.928,00 €		4.053,00 €
	100	0903577356	4.884,00 €		5.042,00 €		5.200,00 €
	125		6.475,00 €		6.670,00 €		6.865,00 €
	150		7.620,00 €		7.835,00 €		8.050,00 €

1-7

1.4404 / AISI 316L

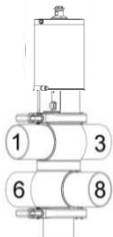
	DN	- EPDM		- HNBR		- FKM	
		Material no.	Price/€	Material no.	Price/€	Material no.	Price/€
	25		2.056,00 €		2.143,00 €		2.230,00 €
	40		2.648,00 €		2.735,00 €		2.822,00 €
	50		2.740,00 €		2.827,00 €		2.914,00 €
	65		3.120,00 €		3.225,00 €	0903881594	3.330,00 €
	80	0903182596	3.698,00 €		3.823,00 €		3.948,00 €
	100	0903577359	4.760,00 €		4.918,00 €		5.076,00 €
	125		6.332,00 €		6.527,00 €		6.722,00 €
	150		7.422,00 €		7.637,00 €		7.852,00 €

DOUBLE SEAT MIXPROOF VALVE MF RINSABLE DN

Including switch mount for proximity switch

1-3-6-8

1.4404 / AISI 316L

	DN	- EPDM		- HNBR		- FKM	
		Material no.	Price/€	Material no.	Price/€	Material no.	Price/€
	25						
	40		2.302,00 €		2.376,00 €		2.450,00 €
	50	0904582032	2.387,00 €		2.461,00 €		2.535,00 €
	65	0904440593	2.727,00 €		2.816,00 €		2.905,00 €
	80	0904578512	3.237,00 €		3.343,00 €		3.449,00 €
	100	0904581081	4.663,00 €		4.813,00 €		4.963,00 €
	125	0904630695	6.192,00 €		6.377,00 €		6.563,00 €
	150	0904584732	7.332,00 €		7.536,00 €		7.741,00 €

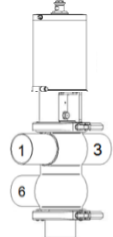
1-6-8

1.4404 / AISI 316L

	DN	- EPDM		- HNBR		- FKM	
		Material no.	Price/€	Material no.	Price/€	Material no.	Price/€
	25						
	40		2.222,00 €		2.309,00 €		2.396,00 €
	50	0904582034	2.303,00 €		2.390,00 €		2.477,00 €
	65	0904602505	2.633,00 €		2.738,00 €		2.843,00 €
	80	0904550735	3.132,00 €		3.257,00 €		3.382,00 €
	100	0904630696	4.539,00 €		4.697,00 €		4.855,00 €
	125		6.049,00 €		6.244,00 €		6.439,00 €
	150		7.134,00 €		7.349,00 €		7.564,00 €

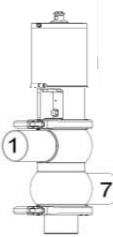
1-3-6

1.4404 / AISI 316L

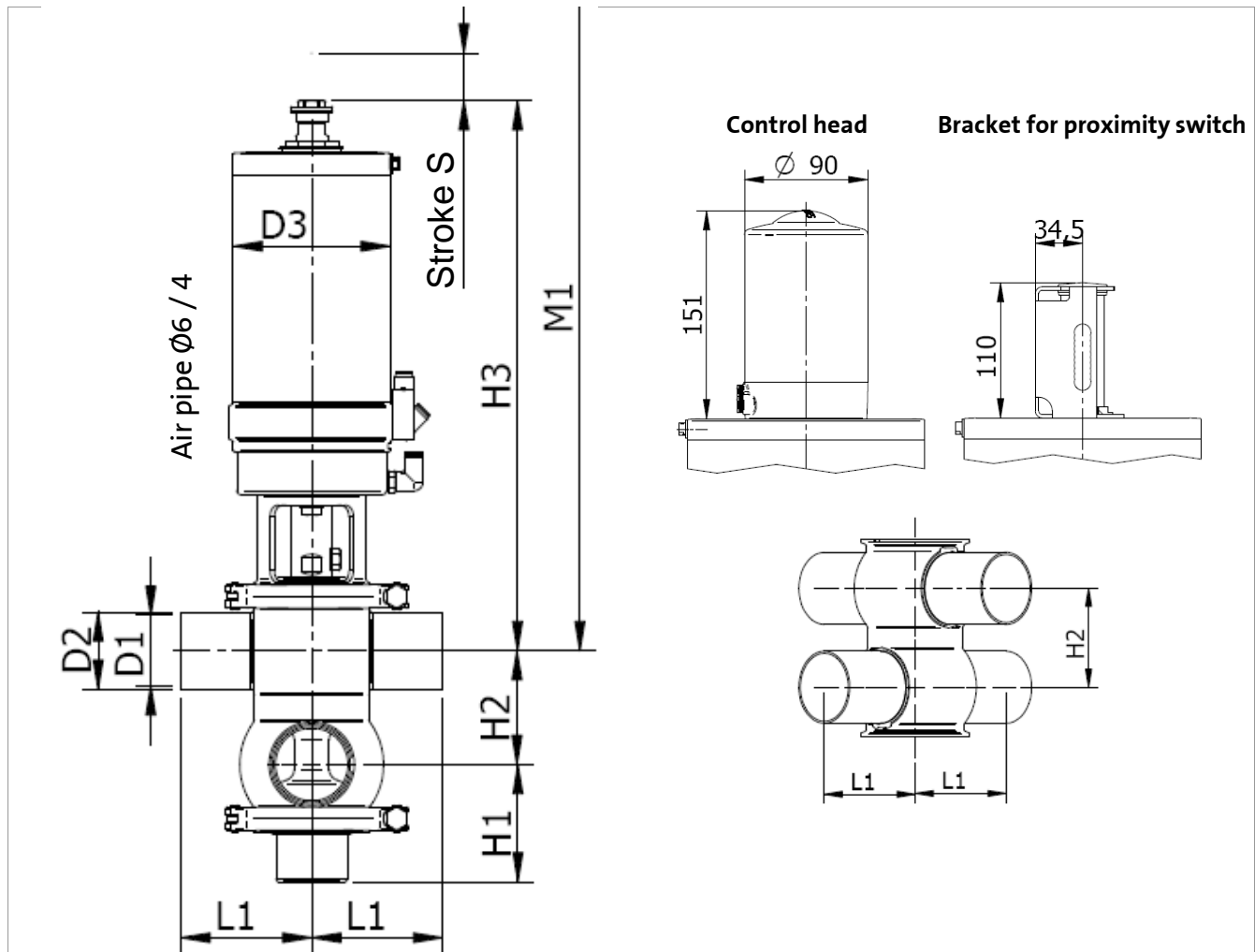
	DN	- EPDM		- HNBR		- FKM	
		Material no.	Price/€	Material no.	Price/€	Material no.	Price/€
	25						
	40		2.222,00 €		2.309,00 €		2.396,00 €
	50	0904582033	2.303,00 €		2.390,00 €		2.477,00 €
	65	0904869552	2.633,00 €		2.738,00 €		2.843,00 €
	80	0904602507	3.132,00 €	0904869518	3.257,00 €	0904897179	3.382,00 €
	100	0904551022	4.539,00 €		4.697,00 €		4.855,00 €
	125	0904581983	6.049,00 €		6.244,00 €		6.439,00 €
	150		7.134,00 €		7.349,00 €		7.564,00 €

1-7

1.4404 / AISI 316L

	DN	- EPDM		- HNBR		- FKM	
		Material no.	Price/€	Material no.	Price/€	Material no.	Price/€
	25						
	40		2.142,00 €		2.229,00 €		2.316,00 €
	50		2.219,00 €		2.306,00 €		2.393,00 €
	65	0904680623	2.539,00 €		2.644,00 €		2.749,00 €
	80	0904868824	3.027,00 €	0904869364	3.152,00 €		3.277,00 €
	100	0904868827	4.415,00 €		4.573,00 €		4.731,00 €
	125	0904897159	5.906,00 €		6.101,00 €		6.296,00 €
	150	0904866079	6.936,00 €		7.151,00 €		7.366,00 €

DOUBLE SEAT MIXPROOF VALVE M OD

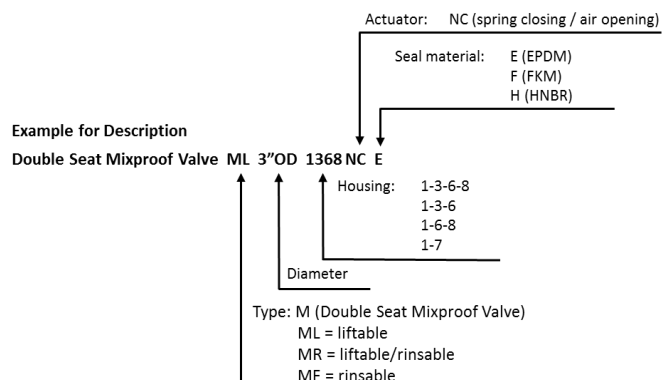


Dimensions

Inch OD	ØD1 mm	ØD2 mm	ØD3 mm	L1 mm	H1 mm	H2 mm	H3 mm	M1 mm	Stroke mm
1"									
1,5"	34,8	38,1	108	90	71	62,8	371,5	550	22
2"	47,5	50,8	108	90	81,7	75,5	378	590	30,5
2,5"	60,2	63,5	133	125	103	90,2	432	680	34,5
3"	76,2	72,9	133	125	217	102,9	439	720	38,5
4"	97,38	101,6	133	125	260	127,4	460	800	45
5"									
6"									

Weight

Inch OD	1-3-6-8 kg	1-6-8 Kg	1-3-8 kg	1-7 kg
1"	8,2	8,2	8,2	8,2
1,5"	13,2	13,2	13,2	13,2
2"	13,9	13,7	13,7	13,7
2,5"	21,7	21,2	21,2	20,8
3"	27,0	27,0	27,0	27,6
4"	37,2	29,1	29,1	29,3
5"				
6"	94,6	91,0	91,0	94,9



DOUBLE SEAT MIXPROOF VALVE ML LIFTABLE OD

Including switch mount for proximity switch

1-3-6-8

1.4404 / AISI 316L

Inch OD	- EPDM		- HNBR		- FKM	
	Material no.	Price/€	Material no.	Price/€	Material no.	Price/€
1"		2.116,00 €		2.203,00 €		2.290,00 €
1,5"	0903347829	2.708,00 €		2.795,00 €		2.882,00 €
2"	0903348077	2.808,00 €		2.895,00 €		2.982,00 €
2,5"	0904914953	3.208,00 €		3.313,00 €		3.418,00 €
3"	0903098336	3.808,00 €		3.933,00 €		4.058,00 €
4"	0903332334	4.908,00 €		5.066,00 €		5.224,00 €
5"						
6"		7.718,00 €		7.933,00 €		8.148,00 €

1-6-8

1.4404 / AISI 316L

Inch OD	- EPDM		- HNBR		- FKM	
	Material no.	Price/€	Material no.	Price/€	Material no.	Price/€
1"		2.036,00 €		2.123,00 €		2.210,00 €
1,5"		2.628,00 €		2.715,00 €		2.802,00 €
2"	0903332444	2.724,00 €		2.811,00 €		2.898,00 €
2,5"	0904248381	3.114,00 €		3.219,00 €		3.324,00 €
3"	0903332447	3.703,00 €		3.828,00 €		3.953,00 €
4"	0903332448	4.784,00 €		4.942,00 €		5.100,00 €
5"						
6"		7.520,00 €		7.735,00 €		7.950,00 €

1-3-6

1.4404 / AISI 316L

Inch OD	- EPDM		- HNBR		- FKM	
	Material no.	Price/€	Material no.	Price/€	Material no.	Price/€
1"		2.036,00 €		2.123,00 €		2.210,00 €
1,5"		2.628,00 €		2.715,00 €		2.802,00 €
2"	0904920898	2.724,00 €		2.811,00 €		2.898,00 €
2,5"		3.114,00 €		3.219,00 €		3.324,00 €
3"	0903332451	3.703,00 €		3.828,00 €		3.953,00 €
4"	0903332452	4.784,00 €		4.942,00 €		5.100,00 €
5"						
6"		7.520,00 €		7.735,00 €		7.950,00 €

1-7

1.4404 / AISI 316L

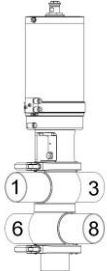
Inch OD	- EPDM		- HNBR		- FKM	
	Material no.	Price/€	Material no.	Price/€	Material no.	Price/€
1"		1.956,00 €		2.043,00 €		2.130,00 €
1,5"		2.548,00 €		2.635,00 €		2.722,00 €
2"	0903455275	2.640,00 €		2.727,00 €		2.814,00 €
2,5"	0904648390	3.020,00 €		3.125,00 €		3.230,00 €
3"	0903098338	3.598,00 €		3.723,00 €		3.848,00 €
4"	0903332455	4.660,00 €		4.818,00 €		4.976,00 €
5"						
6"		7.322,00 €		7.537,00 €		7.752,00 €

DOUBLE SEAT MIXPROOF VALVE MR LIFTABLE / RINSABLE OD

Including switch mount for proximity switch


1-3-6-8

1.4404 / AISI 316L

	Inch OD	- EPDM		- HNBR		- FKM	
		Material no.	Price/€	Material no.	Price/€	Material no.	Price/€
1"			2.216,00 €		2.303,00 €		2.390,00 €
1,5"			2.808,00 €		2.895,00 €		2.982,00 €
2"			2.908,00 €		2.995,00 €		3.082,00 €
2,5"			3.308,00 €		3.413,00 €		3.518,00 €
3"			3.908,00 €		4.033,00 €		4.158,00 €
4"			5.008,00 €		5.166,00 €		5.324,00 €
5"							
6"			7.818,00 €		8.033,00 €		8.248,00 €

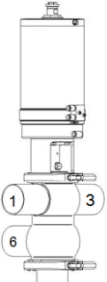
1-6-8

1.4404 / AISI 316L

	Inch OD	- EPDM		- HNBR		- FKM	
		Material no.	Price/€	Material no.	Price/€	Material no.	Price/€
1"			2.136,00 €		2.223,00 €		2.310,00 €
1,5"			2.728,00 €		2.815,00 €		2.902,00 €
2"			2.824,00 €		2.911,00 €		2.998,00 €
2,5"			3.214,00 €		3.319,00 €		3.424,00 €
3"			3.803,00 €		3.928,00 €		4.053,00 €
4"			4.884,00 €		5.042,00 €		5.200,00 €
5"							
6"			7.620,00 €		7.835,00 €		8.050,00 €

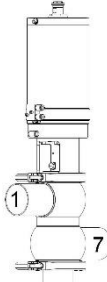
1-3-6

1.4404 / AISI 316L

	Inch OD	- EPDM		- HNBR		- FKM	
		Material no.	Price/€	Material no.	Price/€	Material no.	Price/€
1"			2.136,00 €		2.223,00 €		2.310,00 €
1,5"			2.728,00 €		2.815,00 €		2.902,00 €
2"			2.824,00 €		2.911,00 €		2.998,00 €
2,5"			3.214,00 €		3.319,00 €		3.424,00 €
3"			3.803,00 €		3.928,00 €		4.053,00 €
4"			4.884,00 €		5.042,00 €		5.200,00 €
5"							
6"			7.620,00 €		7.835,00 €		8.050,00 €

1-7

1.4404 / AISI 316L

	Inch OD	- EPDM		- HNBR		- FKM	
		Material no.	Price/€	Material no.	Price/€	Material no.	Price/€
1"			2.056,00 €		2.143,00 €		2.230,00 €
1,5"			2.648,00 €		2.735,00 €		2.822,00 €
2"			2.740,00 €		2.827,00 €		2.914,00 €
2,5"			3.120,00 €		3.225,00 €		3.330,00 €
3"			3.698,00 €		3.823,00 €		3.948,00 €
4"			4.760,00 €		4.918,00 €		5.076,00 €
5"							
6"			7.422,00 €		7.637,00 €		7.852,00 €

DOUBLE SEAT MIXPROOF VALVE MF RINSABLE OD

Including switch mount for proximity switch

1-3-6-8

1.4404 / AISI 316L

Inch OD	- EPDM		- HNBR		- FKM	
	Material no.	Price/€	Material no.	Price/€	Material no.	Price/€
1"						
1,5"		2.302,00 €		2.376,00 €		2.450,00 €
2"		2.387,00 €		2.461,00 €		2.535,00 €
2,5"		2.727,00 €		2.816,00 €		2.905,00 €
3"		3.237,00 €		3.343,00 €		3.449,00 €
4"		4.663,00 €		4.813,00 €		4.963,00 €
5"						
6"		7.332,00 €		7.536,00 €		7.741,00 €

1-6-8

1.4404 / AISI 316L

Inch OD	- EPDM		- HNBR		- FKM	
	Material no.	Price/€	Material no.	Price/€	Material no.	Price/€
1"						
1,5"		2.222,00 €		2.309,00 €		2.396,00 €
2"		2.303,00 €		2.390,00 €		2.477,00 €
2,5"		2.633,00 €		2.738,00 €		2.843,00 €
3"		3.132,00 €		3.257,00 €		3.382,00 €
4"		4.539,00 €		4.697,00 €		4.855,00 €
5"						
6"		7.134,00 €		7.349,00 €		7.564,00 €

1-3-6

1.4404 / AISI 316L

Inch OD	- EPDM		- HNBR		- FKM	
	Material no.	Price/€	Material no.	Price/€	Material no.	Price/€
1"						
1,5"		2.222,00 €		2.309,00 €		2.396,00 €
2"		2.303,00 €		2.390,00 €		2.477,00 €
2,5"		2.633,00 €		2.738,00 €		2.843,00 €
3"		3.132,00 €		3.257,00 €		3.382,00 €
4"		4.539,00 €		4.697,00 €		4.855,00 €
5"						
6"		7.134,00 €		7.349,00 €		7.564,00 €

1-7

1.4404 / AISI 316L

Inch OD	- EPDM		- HNBR		- FKM	
	Material no.	Price/€	Material no.	Price/€	Material no.	Price/€
1"						
1,5"		2.142,00 €		2.229,00 €		2.316,00 €
2"		2.219,00 €		2.306,00 €		2.393,00 €
2,5"		2.539,00 €		2.644,00 €		2.749,00 €
3"		3.027,00 €		3.152,00 €		3.277,00 €
4"		4.415,00 €		4.573,00 €		4.731,00 €
5"						
6"		6.936,00 €		7.151,00 €		7.366,00 €

SPARE PARTS DOUBLE SEAT MIXPROOF VALVE M

Seal kit with product contact, ML liftable DN

	DN	EPDM		HNBR		FKM	
		Material no.	Price/€	Material no.	Price/€	Material no.	Price/€
	25	0903520203	93,00 €		186,00 €	0903875308	267,00 €
	40	0902472315	93,00 €	0904353221	186,00 €	0902843840	267,00 €
	50	0902472315	93,00 €	0904353221	186,00 €	0902843840	267,00 €
	65	0902472316	109,00 €	0904155426	218,00 €	0902843841	319,00 €
	80	0902472317	129,00 €	0904249694	258,00 €	0902843843	379,00 €
	100	0902472318	163,00 €	0904155488	326,00 €	0902843844	479,00 €
	125	0902472319	199,00 €		398,00 €		589,00 €
	150	0903333880	249,00 €		498,00 €	0904968452	737,00 €

Seal kit with product contact, MF rinsable and MR liftable/rinsable DN

	DN	EPDM		HNBR		FKM	
		Material no.	Price/€	Material no.	Price/€	Material no.	Price/€
	25	0904901950	93,00 €		186,00 €		267,00 €
	40	0902759387	93,00 €		186,00 €	0903877907	267,00 €
	50	0902759387	93,00 €		186,00 €	0903877907	267,00 €
	65	0902759388	109,00 €		218,00 €	0903877981	319,00 €
	80	0902759389	129,00 €	0904869367	258,00 €	0903877988	379,00 €
	100	0902759470	163,00 €		326,00 €	0903878003	479,00 €
	125	0903428967	199,00 €		398,00 €		589,00 €
	150		249,00 €		498,00 €		737,00 €

Seal kit with product contact, ML liftable OD

	Inch OD	EPDM		HNBR		FKM	
		Material no.	Price/€	Material no.	Price/€	Material no.	Price/€
	1"	0903520203	93,00 €		186,00 €	0903875308	267,00 €
	1,5"	0902472315	93,00 €	0904353221	186,00 €	0902843840	267,00 €
	2"	0902472315	93,00 €	0904353221	186,00 €	0902843840	267,00 €
	2,5"	0902472316	109,00 €	0904155426	218,00 €	0902843841	319,00 €
	3"	0902472317	129,00 €	0904249694	258,00 €	0902843843	379,00 €
	4"	0902472318	163,00 €	0904155488	326,00 €	0902843844	479,00 €
	5"						
	6"	0903333880	249,00 €		498,00 €		737,00 €

Seal kit with product contact, MF rinsable and MR liftable/rinsable OD

	Inch OD	EPDM		HNBR		FKM	
		Material no.	Price/€	Material no.	Price/€	Material no.	Price/€
	1"	0904901950	93,00 €		186,00 €		267,00 €
	1,5"	0902759387	93,00 €		186,00 €	0903877907	267,00 €
	2"	0902759387	93,00 €		186,00 €	0903877907	267,00 €
	2,5"	0902759388	109,00 €		218,00 €	0903877981	319,00 €
	3"	0902759389	129,00 €	0904869367	258,00 €	0903877988	379,00 €
	4"	0902759470	163,00 €		326,00 €	0903878003	479,00 €
	5"						
	6"		249,00 €		498,00 €		737,00 €

EVOGUARD

Double Seat Mixproof Valve M

Bearing set, ML liftable

DN		
	Material no.	Price/€
25	0903521041	143,00 €
40	0902472489	143,00 €
50	0902472489	143,00 €
65	0902796425	149,00 €
80	0902796426	158,00 €
100	0902796427	198,00 €
125	0903521177	258,00 €
150	0903521245	358,00 €

Bearing set, MR liftable / rinsable

DN		
	Material no.	Price/€
25		143,00 €
40	0902761309	143,00 €
50	0902761309	143,00 €
65	0902761420	149,00 €
80	0902761421	158,00 €
100	0902761422	198,00 €
125	0903428953	258,00 €
150	0904204243	358,00 €

Bearing set, MF rinsable

DN		
	Material no.	Price/€
25		58,00 €
40	0904229782	66,00 €
50	0904229782	66,00 €
65	0904229785	78,00 €
80	0904229787	96,00 €
100	0904229789	114,00 €
125		158,00 €
150	0904584378	336,00 €

Seal kit, actuator, ML liftable and MR liftable/ rinsable

DN		
	Material no.	Price/€
25	0903520279	19,00 €
40	0902472363	19,00 €
50	0902472363	19,00 €
65	0902472364	24,00 €
80	0902472364	24,00 €
100	0902472364	24,00 €
125	0903195022	39,00 €
150	0903195022	39,00 €

Seal kit, actuator, MF rinsable

	DN		
		Material no.	Price/€
	25		19,00 €
	40		19,00 €
	50		19,00 €
	65		
	80	0904230348	24,00 €
	100		
	125		39,00 €
	150		39,00 €

DOUBLE SEAT TANK OUTLET VALVE MT

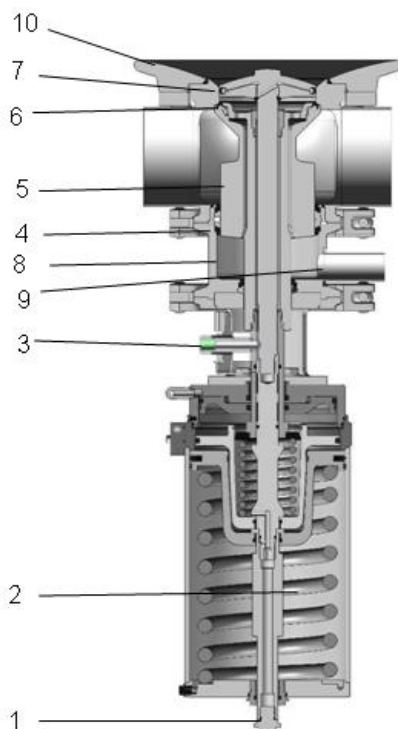
Double seat valves are needed to help manage the flow of product or cleaning fluids in highly automated systems. Pre-programmed routings can be used to control the production sequence. To include all tanks in this process, double seat tank outlet valves are necessary, to keep separate the processes in a tank farm, increasing the efficiency of production operations. The design configuration and seal geometry are the essential features of this valve technology. Two factors play a crucial role in design for maximum reliability and durability:

- axial and radial sealing in the valve housing using an identical seal and
- static fixing point decoupled from the dynamically loaded sealing point.

The actuator has a built-in timing function which supports fast, short cycle times and keeps air consumption to an absolute minimum. This gives machine designers great flexibility to deploy double seat valve blocks.

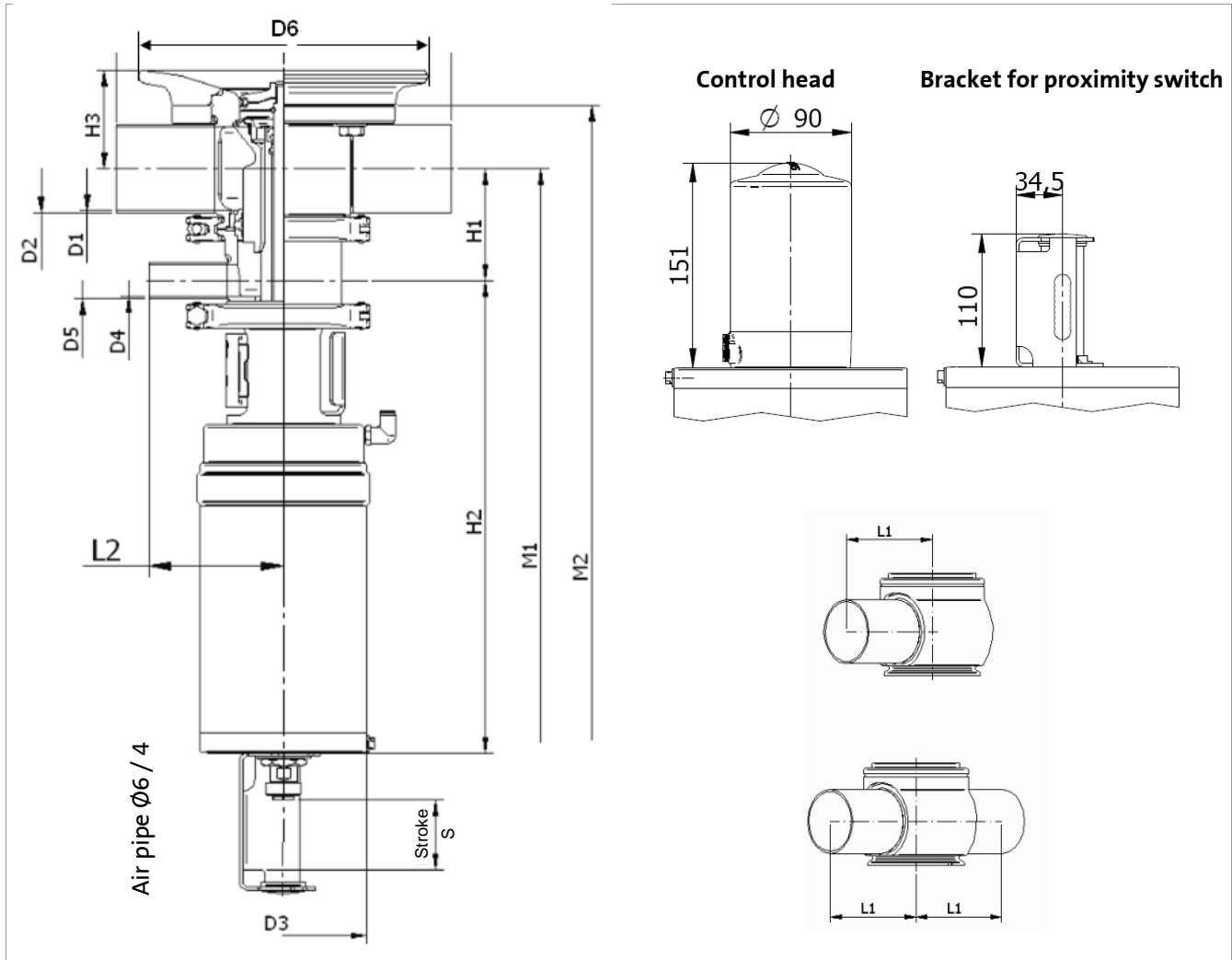
Design features of modular double seat tank outlet valves

- New seal geometry, general-purpose seal for axial and radial sealing
- Defined clearance, seals easy to install
- Cleaning of leakage chamber via defined throttle gap by cycling the valve disk at the top or bottom, optional cleaning via flushing connection
- Valve disk in housing with balancer
- Actuator with connection for internal airflow
- New actuator design with built-in timing function for double seat mixproof valves
- Switching without leakage



- 1 Internal airflow on version with control head
- 2 Actuator with integrated timing function
- 3 Flushing connection
- 4 Shaft seal with wiper function
- 5 Valve disk at top with balancer
- 6 Axial seal
- 7 Radial seal
- 8 Safety chamber
- 9 Leakage
- 10 Flange

DOUBLE SEAT TANK OUTLET VALVE MT

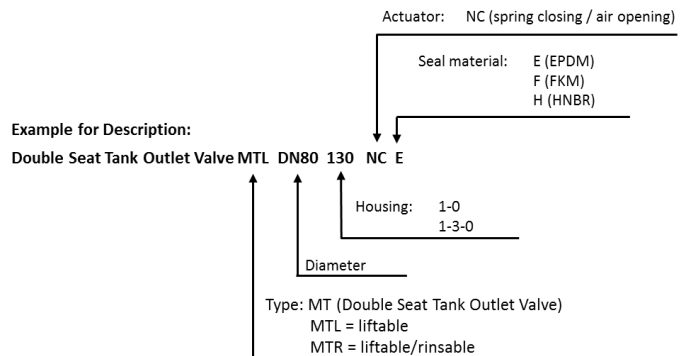


Dimensions

DN	ØD1 mm	ØD2 mm	ØD3 mm	ØD4 mm	ØD5 mm	ØD6 mm	L1 mm	L2 mm	H1 mm	H2 mm	H3 mm	M1 mm	Stroke mm
25													
40	38	41	108	20	23	190	91	74	69	327	58	595	24
50	50	53	108	20	23	190	93	74	74	333	64	625	31
65	66	70	133	26	29	230	133	107	90	415	78,5	700	39
80	81	85	133	26	29	250	134	115	102	445	87,5	800	42
100	100	104	133	26	29	280	137	123	124	453	102	855	47
125	125	129											57
150													

Weight

DN	1-0 kg	1-3-0 kg
25		
40	14,2	14,0
50	15,7	15,2
65	27,8	27,5
80	33,1	31,9
100	50,3	47,2
125		82,9
150		



DOUBLE SEAT TANK OUTLET VALVE - MTL LIFTABLE PRODUCT PRESSURE 4 BAR

Including switch mount for proximity switch
Tank flange is not included!

1-0
1.4404 / AISI 316L

	DN	- EPDM		- HNBR		- FKM	
		Material no.	Price/€	Material no.	Price/€	Material no.	Price/€
	25						
	40						
	50						
	65		3.608,00 €		3.713,00 €		3.818,00 €
	80		4.716,00 €		4.841,00 €		4.966,00 €
	100	0904061742	5.707,00 €		5.865,00 €		6.023,00 €
	125						
	150						

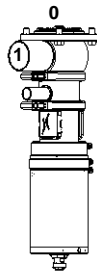
1-3-0
1.4404 / AISI 316L

	DN	- EPDM		- HNBR		- FKM	
		Material no.	Price/€	Material no.	Price/€	Material no.	Price/€
	25						
	40						
	50						
	65		3.702,00 €		3.807,00 €		3.912,00 €
	80	0903190958	4.821,00 €		4.946,00 €		5.071,00 €
	100	0903242464	5.831,00 €		5.989,00 €		6.147,00 €
	125						
	150						

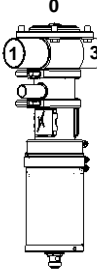
DOUBLE SEAT TANK OUTLET VALVE - MTL LIFTABLE PRODUCT PRESSURE 6 BAR

Including switch mount for proximity switch
Tank flange is not included!

1-0
1.4404 / AISI 316L

	DN	- EPDM		- HNBR		- FKM	
		Material no.	Price/€	Material no.	Price/€	Material no.	Price/€
	25						
	40		3.008,00 €		3.095,00 €		3.182,00 €
	50		3.498,00 €		3.585,00 €		3.672,00 €
	65		4.608,00 €		4.713,00 €		4.818,00 €
	80		6.216,00 €		6.341,00 €		6.466,00 €
	100		7.207,00 €		7.365,00 €		7.523,00 €
	125		8.598,00 €		8.793,00 €		8.988,00 €
	150						

1-3-0
1.4404 / AISI 316L

	DN	- EPDM		- HNBR		- FKM	
		Material no.	Price/€	Material no.	Price/€	Material no.	Price/€
	25						
	40	0903235718	3.088,00 €		3.175,00 €		3.262,00 €
	50	0903233703	3.582,00 €		3.669,00 €		3.756,00 €
	65		4.702,00 €		4.807,00 €		4.912,00 €
	80		6.321,00 €		6.446,00 €		6.571,00 €
	100		7.331,00 €		7.489,00 €		7.647,00 €
	125	0904067762	8.741,00 €		8.936,00 €		9.131,00 €
	150						

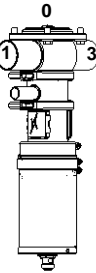
DOUBLE SEAT TANK OUTLET VALVE - MTR LIFTABLE / RINSABLE PRODUCT PRESSURE 4 BAR

Including switch mount for proximity switch
Tank flange is not included!

1-0
1.4404 / AISI 316L

	DN	- EPDM		- HNBR		- FKM	
		Material no.	Price/€	Material no.	Price/€	Material no.	Price/€
	25						
	40						
	50		3.198,00 €		3.285,00 €		3.372,00 €
	65		3.708,00 €		3.813,00 €		3.918,00 €
	80		4.816,00 €		4.941,00 €		5.066,00 €
	100		5.807,00 €		5.965,00 €		6.123,00 €
	125						
	150						

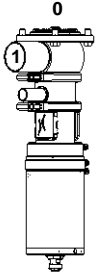
1-3-0
1.4404 / AISI 316L

	DN	- EPDM		- HNBR		- FKM	
		Material no.	Price/€	Material no.	Price/€	Material no.	Price/€
	25						
	40						
	50		3.282,00 €		3.369,00 €		3.456,00 €
	65		3.802,00 €		3.907,00 €		4.012,00 €
	80		4.921,00 €		5.046,00 €		5.171,00 €
	100	0904324266	5.931,00 €		6.089,00 €		6.247,00 €
	125						
	150						

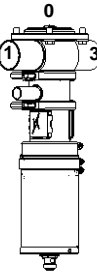
DOUBLE SEAT TANK OUTLET VALVE - MTR LIFTABLE / RINSABLE PRODUCT PRESSURE 6 BAR

Including switch mount for proximity switch
Tank flange is not included!


1-0
1.4404 / AISI 316L

	DN	- EPDM		- HNBR		- FKM	
		Material no.	Price/€	Material no.	Price/€	Material no.	Price/€
25							
40			3.108,00 €		3.195,00 €		3.282,00 €
50			3.598,00 €		3.685,00 €		3.772,00 €
65			4.708,00 €		4.813,00 €		4.918,00 €
80			6.316,00 €		6.441,00 €		6.566,00 €
100			7.307,00 €		7.465,00 €		7.623,00 €
125			8.698,00 €		8.893,00 €		9.088,00 €
150							

1-3-0
1.4404 / AISI 316L

	DN	- EPDM		- HNBR		- FKM	
		Material no.	Price/€	Material no.	Price/€	Material no.	Price/€
25							
40			3.188,00 €		3.275,00 €		3.362,00 €
50			3.682,00 €		3.769,00 €		3.856,00 €
65			4.802,00 €		4.907,00 €		5.012,00 €
80			6.421,00 €		6.546,00 €		6.671,00 €
100			7.431,00 €		7.589,00 €		7.747,00 €
125			8.841,00 €		9.036,00 €		9.231,00 €
150							

Tank flange
1.4404 / AISI 316L

	DN		
		Material no.	Price/€
25			
40		0902888419	146,00 €
50		0902888419	146,00 €
65		0902944701	182,00 €
80		0902620094	220,00 €
100		0902620095	255,00 €
125		0903995180	898,00 €
150			1.498,00 €

SPARE PARTS DOUBLE SEAT TANK OUTLET VALVE MT

Seal kit with product contact, MTL liftable

DN	EPDM		HNBR		FKM	
	Material no.	Price/€	Material no.	Price/€	Material no.	Price/€
25						
40	0903425396	93,00 €		186,00 €		267,00 €
50	0903425396	93,00 €		186,00 €		267,00 €
65	0903425397	109,00 €		218,00 €		319,00 €
80	0903425398	129,00 €		258,00 €		379,00 €
100	0903425399	163,00 €		326,00 €		479,00 €
125	0904173359	199,00 €		398,00 €		589,00 €
150						

Seal kit with product contact, MTR liftable / rinsable

DN	EPDM		HNBR		FKM	
	Material no.	Price/€	Material no.	Price/€	Material no.	Price/€
25						
40		93,00 €		186,00 €		267,00 €
50		93,00 €		186,00 €		267,00 €
65		109,00 €		218,00 €		319,00 €
80		129,00 €		258,00 €		379,00 €
100		163,00 €		326,00 €		479,00 €
125		199,00 €		398,00 €		589,00 €
150						

Bearing set, MTL liftable

DN	Material no.	Price/€
	25	
40	0904173597	143,00 €
50	0904173597	143,00 €
65		149,00 €
80	0904173599	158,00 €
100	0904173664	198,00 €
125	0904173668	258,00 €
150		

Bearing set, MTR liftable / rinsable

DN	Material no.	Price/€
	25	
40		143,00 €
50		143,00 €
65		149,00 €
80		158,00 €
100		198,00 €
125		258,00 €
150		

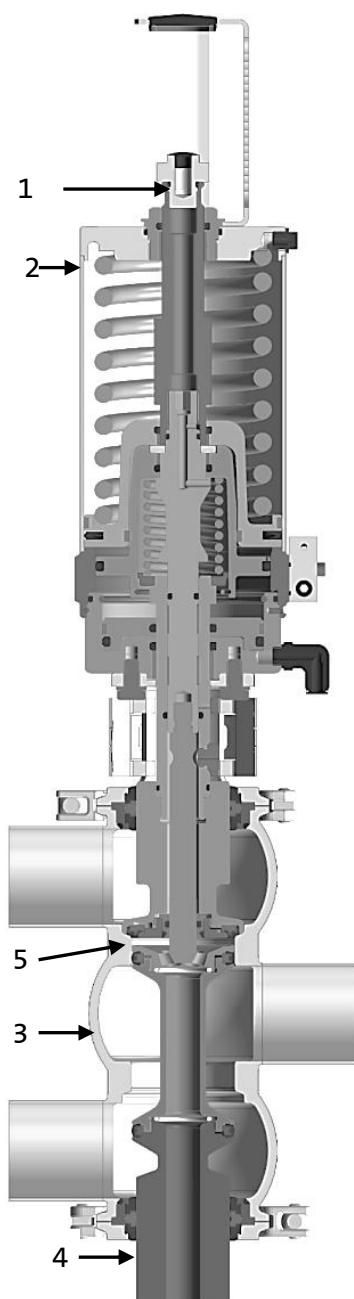
Seal kit, actuator

DN	Material no.	Price/€
	25	
40	0902472363	19,00 €
50	0902472363	19,00 €
65	0902472364	24,00 €
80	0902472364	24,00 €
100	0902472364	24,00 €
125	0903195022	39,00 €
150		

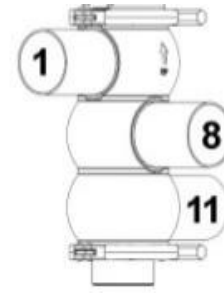
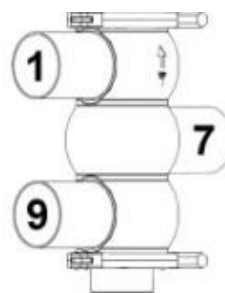
DOUBLE SEAT DIVERT VALVE MC

Design features of modular double seat divert valves

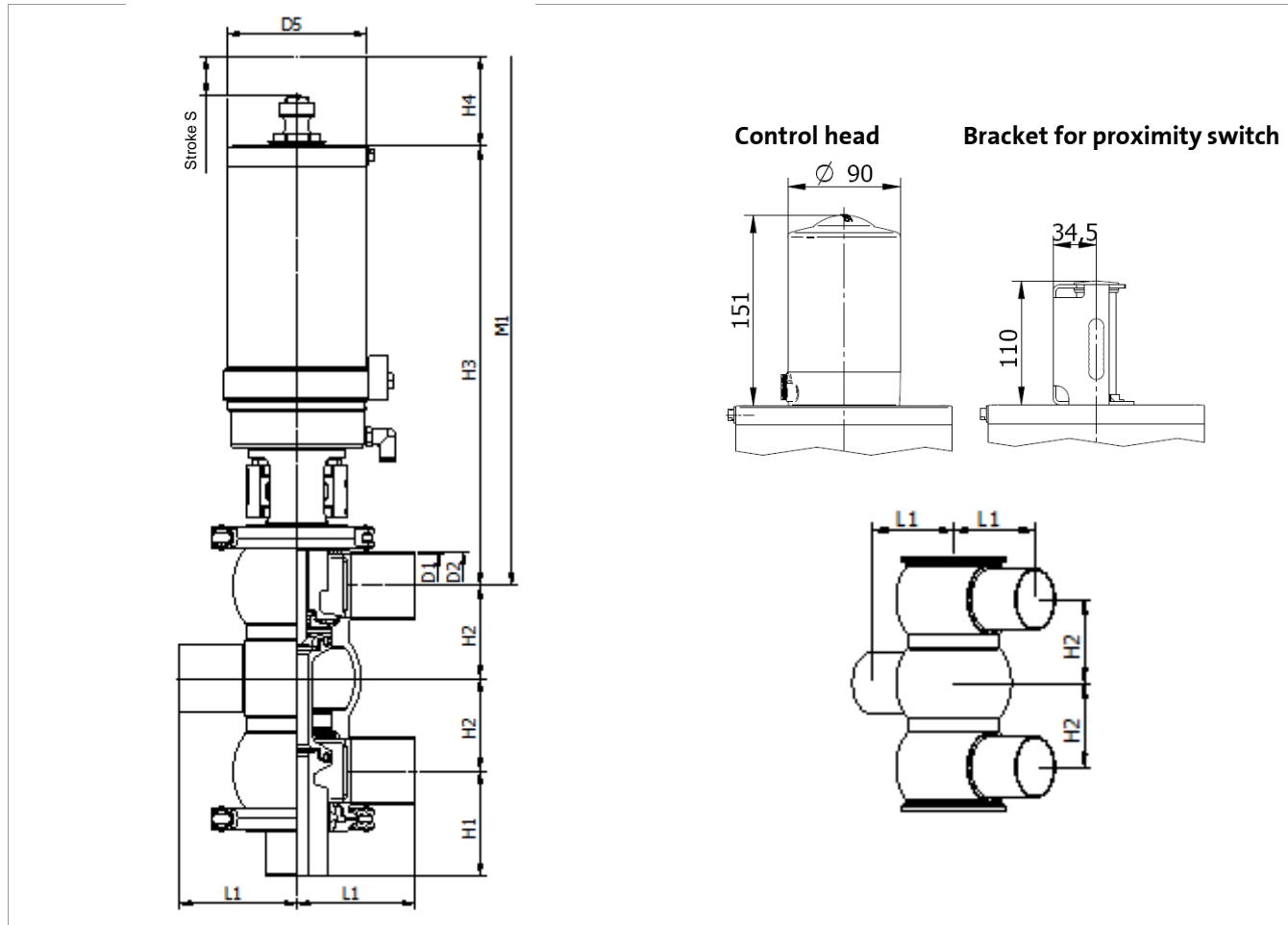
- Valve disks double-balanced against pressure blows during switching
- Pressure blow resistant against 650 psi (45 bar)
- Switching without leakage
- Path direction variable
- One-piece housing, free from dead area, drainable
- Seal geometry optimized for all applicable process conditions
- Three-piece threaded valve disk with defined clearance for the seal enhances ease of installation
- Shaft seal with wiper function protects against contamination ingress
- Internal airflow when a control head is used



- 1 Internal airflow when a control head is used
- 2 Actuator with integrated timing function
- 3 One-piece housing
- 4 Valve disks double-balanced
- 5 Sealing system against mix up



DOUBLE SEAT DIVERT VALVE MC DN

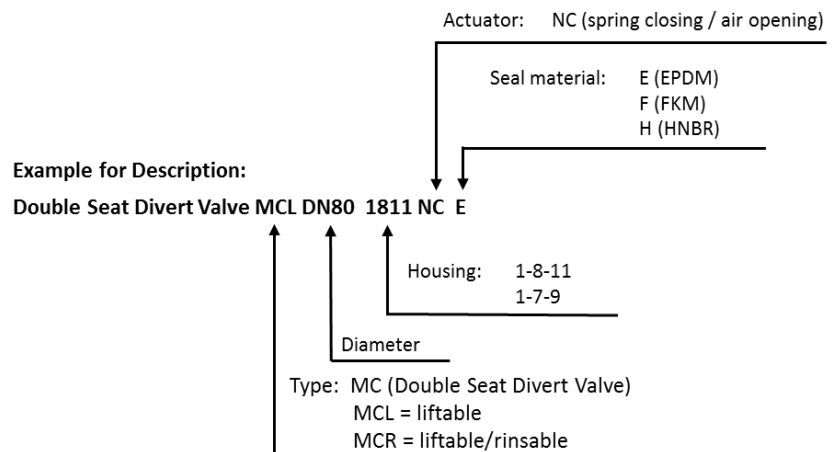


Dimensions

DN	ØD1 mm	ØD2 mm	ØD5 mm	L1 mm	H1 mm	H2 mm	H3 mm	M1 mm	Stroke mm
25									
40	38	41	108	90	59	66	373	540	24
50	50	53	108	90	80	78	381	585	31
65	66	70	133	125	100	96	434	680	38
80	81	85	133	125	110	111	443	720	42
100	100	104	133	125	131	130	461	805	48
125									
150									

Weight

DN	1-7-9 kg	1-8-11 kg
25		
40	14,2	
50	14,7	
65	23,3	
80	29,8	
100	41,0	
125		
150		

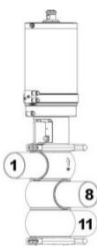


DOUBLE SEAT DIVERT VALVE - MCL LIFTABLE DN

Including switch mount for proximity switch

1-8-11

1.4404 / AISI 316L

	DN	- EPDM		- HNBR		- FKM	
		Material no.	Price/€	Material no.	Price/€	Material no.	Price/€
	25		3.400,00 €		3.487,00 €		3.574,00 €
	40		4.100,00 €		4.187,00 €		4.274,00 €
	50		4.200,00 €		4.287,00 €		4.374,00 €
	65		4.600,00 €		4.705,00 €		4.810,00 €
	80		5.189,00 €		5.314,00 €		5.439,00 €
	100		6.270,00 €		6.428,00 €		6.586,00 €
	125		10.473,00 €		10.668,00 €		10.863,00 €
	150						

1-7-9

1.4404 / AISI 316L

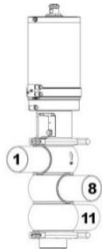
	DN	- EPDM		- HNBR		- FKM	
		Material no.	Price/€	Material no.	Price/€	Material no.	Price/€
	25		3.400,00 €		3.487,00 €		3.574,00 €
	40		4.100,00 €		4.187,00 €		4.274,00 €
	50		4.200,00 €		4.287,00 €	0904091301	4.374,00 €
	65		4.600,00 €		4.705,00 €		4.810,00 €
	80		5.189,00 €		5.314,00 €		5.439,00 €
	100		6.270,00 €		6.428,00 €		6.586,00 €
	125		10.473,00 €		10.668,00 €		10.863,00 €
	150						

DOUBLE SEAT DIVERT VALVE - MCR LIFTABLE / RINSABLE DN

Including switch mount for proximity switch

1-8-11

1.4404 / AISI 316L

	DN	- EPDM		- HNBR		- FKM	
		Material no.	Price/€	Material no.	Price/€	Material no.	Price/€
	25		3.500,00 €		3.587,00 €		3.674,00 €
	40		4.200,00 €		4.287,00 €		4.374,00 €
	50		4.300,00 €		4.387,00 €		4.474,00 €
	65		4.700,00 €		4.805,00 €		4.910,00 €
	80		5.289,00 €		5.414,00 €		5.539,00 €
	100		6.370,00 €		6.528,00 €		6.686,00 €
	125		10.573,00 €		10.768,00 €		10.963,00 €
	150						

1-7-9

1.4404 / AISI 316L

	DN	- EPDM		- HNBR		- FKM	
		Material no.	Price/€	Material no.	Price/€	Material no.	Price/€
	25		3.500,00 €		3.587,00 €		3.674,00 €
	40		4.200,00 €		4.287,00 €		4.374,00 €
	50		4.300,00 €		4.387,00 €		4.474,00 €
	65		4.700,00 €		4.805,00 €		4.910,00 €
	80		5.289,00 €		5.414,00 €		5.539,00 €
	100		6.370,00 €		6.528,00 €		6.686,00 €
	125		10.573,00 €		10.768,00 €		10.963,00 €
	150						

SPARE PARTS DOUBLE SEAT DIVERT VALVE MC

Seal kit with product contact, MCL liftable

DN	EPDM		HNBR		FKM	
	Material no.	Price/€	Material no.	Price/€	Material no.	Price/€
25						
40	0904236395	109,00 €		218,00 €	0904236394	319,00 €
50	0904236395	109,00 €		218,00 €	0904236394	319,00 €
65		129,00 €		258,00 €		379,00 €
80		163,00 €		326,00 €	0905258031	479,00 €
100	0904616885	199,00 €		398,00 €		589,00 €
125		249,00 €		498,00 €		737,00 €
150						

Seal kit with product contact, MCR liftable / rinsable

DN	EPDM		HNBR		FKM	
	Material no.	Price/€	Material no.	Price/€	Material no.	Price/€
25						
40		109,00 €		218,00 €		319,00 €
50		109,00 €		218,00 €		319,00 €
65		129,00 €		258,00 €		379,00 €
80		163,00 €		326,00 €		479,00 €
100		199,00 €		398,00 €		589,00 €
125		249,00 €		498,00 €		737,00 €
150						

Bearing set, MCL liftable

DN	Material no.	Price/€
	25	
40	0902472489	143,00 €
50	0902472489	143,00 €
65		149,00 €
80		158,00 €
100		198,00 €
125		258,00 €
150		

Bearing set, MCR liftable / rinsable

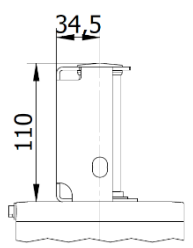
DN	Material no.	Price/€
	25	
40		143,00 €
50		143,00 €
65		149,00 €
80		158,00 €
100		198,00 €
125		258,00 €
150		

Bearing set, actuator

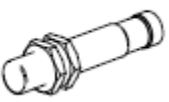
	DN		
		Material no.	Price/€
	25		
	40	0902472363	19,00 €
	50	0902472363	19,00 €
	65	0902472364	24,00 €
	80	0902472364	24,00 €
	100	0902472364	24,00 €
	125	0903195022	39,00 €
	150		

ADDITIONAL EQUIPMENT DOUBLE SEAT MIXPROOF VALVE M

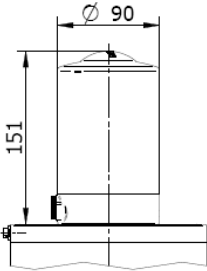
Proximity switch mount M12x1

	DN	Material no.	Price/€
	25	0903370971	118,00 €
	40		
	50		
	65		
	80		
	100		
	125		
	150		

Proximity switch M12x1

	DN	Material no.	Price/€
	25	0901443696	21,20 €
	40		
	50		
	65		
	80		
	100		
	125		
	150		

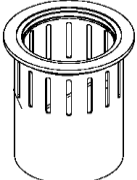
Control head

	DN	24 V DC Position measurement system 3 solenoid valves		24 V DC ASI Position measurement system 3 solenoid valves	
		Material no.	Price/€	Material no.	Price/€
	25	0903628605	529,00 €	0903628606	698,00 €
	40				
	50				
	65				
	80				
	100				
	125				
150					


Control head, IO link

	DN	IO link Port class A (4-pole) 3 solenoid valves		IO link Port class B (5-pole) 3 solenoid valves	
		Material no.	Price/€	Material no.	Price/€
	25		890,00 €		990,00 €
	40				
	50				
	65				
	80				
	100				
	125				
150					

Balancer splash guard

	DN	Material no.	Price/€
	25	0903600290	173,00 €
40	0903407949	173,00 €	
50	0903407949	173,00 €	
65	0903581013	223,00 €	
80	0903408237	223,00 €	
100	0903408364	223,00 €	
125	0903410253	434,00 €	
150	0903410985	434,00 €	

Splash guard

	DN	Material no.	Price/€
	25	0904491589	58,00 €
40	0904458501	60,00 €	
50	0904458501	60,00 €	
65	0904458487	70,00 €	
80	0904447337	80,00 €	
100	0904458420	100,00 €	
125	0904458483	125,00 €	
150	0904491741	210,00 €	

8 Control Valve RK



INFORMATION

Flow control is a major aspect of the production process. Durable, high-grade valves are needed for typical operations such as redirection, shutting-off of product flows and tank discharge. To safely integrate processes such as pressure control, control of quantities, or mixing of liquids, reliable control valves are necessary. Once again, careful attention must be paid to the seal, because the seal configuration and clearance have a major impact on the safety and reliability of the production process. Long service life and ease of replacement are other important factors to take into consideration when selecting a valve technique.

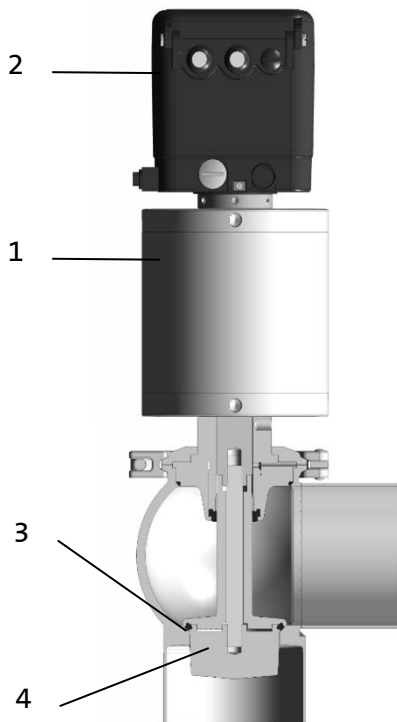
EVOGUARD control valves RK are designed to deliver high performance during day-to-day operation. To cover a lot of control processes, the equal percentage cone is standard. The allocation of the control valve results from nominal diameter, KV value and seat diameter.

The metal stop on the valve disk and the positioning of the seal prevent excessive stress on the seal. Optimal compliance with hygienic design is another outstanding feature of the valves.

Design features of modular control valves RK

- Seal geometry optimized for all applicable process conditions
- Two-piece threaded valve disk with defined clearance for the seal enhances ease of installation
- Actuator size matched to product pressure
- Allocation according to nominal diameter, KV value and seat diameter

- 1 Actuator
- 2 Positioner
- 3 Metal stop
- 4 Two-piece valve disk, threaded



Seat Ø	Value		Stroke 20			Stroke 30		
	Kvs m ³ /h	Cvs USgal/ min	DN25	DN40	DN50	DN65	DN80	DN100
3	0,1	0,116	x					
	0,16	0,186						
5	0,25	0,29	x					
	0,4	0,46						
10	0,63	0,73	x	x				
	1	1,16						
	1,6	1,86						
	2,5	2,9						
19	4	4,64	x	x	x			
	6,3	7,31						
26	10	11,6	x	x	x			
38	16	18,56		x	x	x	x	x
	25	29						
50	40	46,4			x	x	x	x
66	63	73,1				x	x	x
81	100	116					x	x
100	160	185,6						x

TECHNICAL DATA

Pressures

Product pressure	PN 87 psi (6 bar), 145 psi (10 bar) / vacuum -13.8 psi (-0.95 bar) Further pressures available upon request
Housing	PN 25
Control air pressure	max. 6 bar

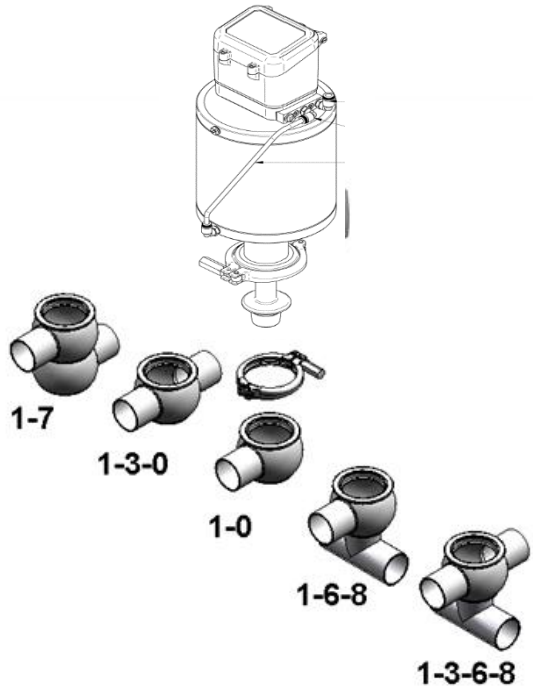
Material

With product contact	1.4404 / AISI 316L
Without product contact	1.4301
Seal	EPDM / FDA Other materials available upon request

Surface

With product contact	$Ra \leq 0.8 \mu$
Without product contact	$Ra \leq 1.6 \mu$

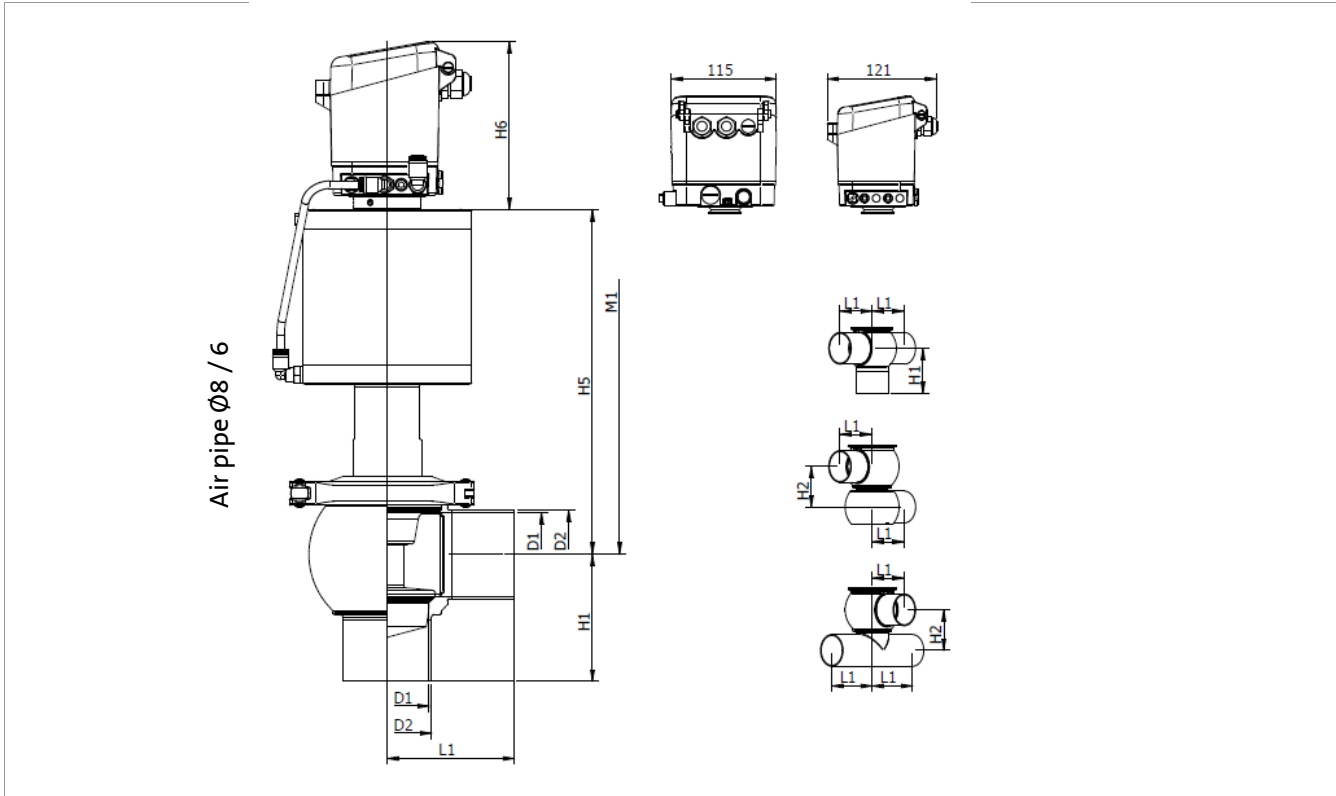
Designs

Housing versions	
Actuator	Pneumatischer Antrieb NC
Additional equipment	Positioner with 4-wire technology and auxiliary energy, set point value 4 - 20 mA
Configuration	Download inquiry form: https://www.evoguard.com/en/why-evoguard/downloads-and-press.php

According to legal requirements
EU Pressure Equipment Directive 2014/68/EU
EU Machinery Directive 2006/42/EC
Design check by TÜV Süd



CONTROL VALVE RK

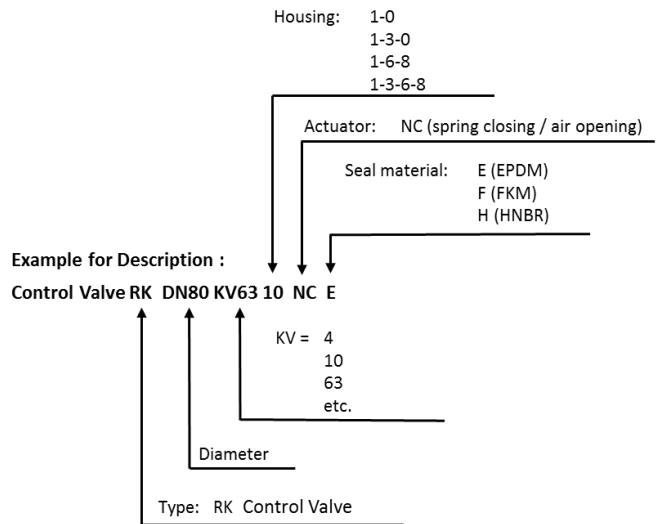


Dimensions

DN	ØD1 mm	ØD2 mm	ØD3 PN 6 mm	ØD3 PN 10 mm	L1 mm	H1 mm	H2 mm	H5 PN 6 mm	H5 PN 10 mm	H6 mm	M1 PN 6 mm	M1 PN 10 mm
25	26	29	89	89	65	65	48	253	253	132	484	484
40	38	41	89	108	75	75	62	259	258	132	503	502
50	50	53	89	108	85	85	71	265	264	132	516	515
65	66	70	108	133	100	100	92	272	272	132	540	540
80	81	85	133	173	110	110	115	279	335	132	562	562
100	100	104	173	216	120	120	128	349	349	132	656	656
125	125	129	216	216	130	130	156	405	405	177	807	805
150	150	154			150	150	185			177		

Weight

DN	1-0 PN10 kg	1-3-0 kg	1-6-8 kg	1-3-6-8 kg
25	5,7			
40	10,5			
50	10,8			
65	15,6			
80	27,4			
100	41,8			
125	48,7			
150				



CONTROL VALVE RK NC WWV PRODUCT PRESSURE 6 BAR (5 BAR WITH DN125/ DN150)

KV value max. corresponding to nominal diameter, positioner with 4-wire technology and auxiliary energy 24V DC

1-0
1.4404 / AISI 316L

DN	- EPDM		- HNBR		- FKM	
	Material no.	Price/€	Material no.	Price/€	Material no.	Price/€
25		2.000,00 €		2.029,00 €		2.058,00 €
40		2.090,00 €		2.121,00 €		2.153,00 €
50		2.160,00 €		2.191,00 €		2.223,00 €
65		2.490,00 €		2.529,00 €		2.568,00 €
80		2.750,00 €		2.796,00 €		2.842,00 €
100		3.450,00 €		3.506,00 €		3.562,00 €
125		6.500,00 €		6.589,00 €		6.678,00 €
150		7.900,00 €		7.995,00 €		8.089,00 €

1-3-0
1.4404 / AISI 316L

DN	- EPDM		- HNBR		- FKM	
	Material no.	Price/€	Material no.	Price/€	Material no.	Price/€
25		2.071,00 €		2.100,00 €		2.129,00 €
40		2.170,00 €		2.201,00 €		2.233,00 €
50		2.244,00 €		2.275,00 €		2.307,00 €
65		2.584,00 €		2.623,00 €		2.662,00 €
80		2.855,00 €		2.901,00 €		2.947,00 €
100		3.574,00 €		3.630,00 €		3.686,00 €
125		6.643,00 €		6.732,00 €		6.821,00 €
150		8.059,00 €		8.154,00 €		8.248,00 €

1-6-8
1.4404 / AISI 316L

DN	- EPDM		- HNBR		- FKM	
	Material no.	Price/€	Material no.	Price/€	Material no.	Price/€
25		2.142,00 €		2.171,00 €		2.200,00 €
40		2.250,00 €		2.281,00 €		2.313,00 €
50		2.328,00 €		2.359,00 €		2.391,00 €
65		2.678,00 €		2.717,00 €		2.756,00 €
80		2.960,00 €		3.006,00 €		3.052,00 €
100		3.698,00 €		3.754,00 €		3.810,00 €
125		6.786,00 €		6.875,00 €		6.964,00 €
150		8.218,00 €		8.313,00 €		8.407,00 €

1-3-6-8
1.4404 / AISI 316L

DN	- EPDM		- HNBR		- FKM	
	Material no.	Price/€	Material no.	Price/€	Material no.	Price/€
25		2.213,00 €		2.242,00 €		2.271,00 €
40		2.330,00 €		2.361,00 €		2.393,00 €
50		2.412,00 €		2.443,00 €		2.475,00 €
65		2.772,00 €		2.811,00 €		2.850,00 €
80		3.065,00 €		3.111,00 €		3.157,00 €
100		3.822,00 €		3.878,00 €		3.934,00 €
125		6.929,00 €		7.018,00 €		7.107,00 €
150		8.377,00 €		8.472,00 €		8.566,00 €

Further types available upon request

CONTROL VALVE RK NC WWV PRODUCT PRESSURE 10 BAR

KV value max. corresponding to nominal diameter, positioner with 4-wire technology and auxiliary energy 24V DC

1-0
1.4404 / AISI 316L

DN	- EPDM		- HNBR		- FKM	
	Material no.	Price/€	Material no.	Price/€	Material no.	Price/€
25		2.035,00 €		2.064,00 €		2.093,00 €
40		2.125,00 €		2.156,00 €		2.188,00 €
50		2.195,00 €		2.226,00 €		2.258,00 €
65		2.690,00 €		2.729,00 €		2.768,00 €
80		2.975,00 €		3.021,00 €		3.067,00 €
100		3.790,00 €		3.846,00 €		3.902,00 €
125		6.500,00 €		6.589,00 €		6.678,00 €
150						

1-3-0
1.4404 / AISI 316L

DN	- EPDM		- HNBR		- FKM	
	Material no.	Price/€	Material no.	Price/€	Material no.	Price/€
25		2.106,00 €		2.135,00 €		2.164,00 €
40		2.205,00 €		2.236,00 €		2.268,00 €
50		2.279,00 €		2.310,00 €		2.342,00 €
65		2.784,00 €		2.823,00 €		2.862,00 €
80		3.080,00 €		3.126,00 €		3.172,00 €
100		3.914,00 €		3.970,00 €		4.026,00 €
125		6.643,00 €		6.732,00 €		6.821,00 €
150						

1-6-8
1.4404 / AISI 316L

DN	- EPDM		- HNBR		- FKM	
	Material no.	Price/€	Material no.	Price/€	Material no.	Price/€
25		2.177,00 €		2.206,00 €		2.235,00 €
40		2.285,00 €		2.316,00 €		2.348,00 €
50		2.363,00 €		2.394,00 €		2.426,00 €
65		2.878,00 €		2.917,00 €		2.956,00 €
80		3.185,00 €		3.231,00 €		3.277,00 €
100		4.038,00 €		4.094,00 €		4.150,00 €
125		6.786,00 €		6.875,00 €		6.964,00 €
150						

1-3-6-8
1.4404 / AISI 316L

DN	- EPDM		- HNBR		- FKM	
	Material no.	Price/€	Material no.	Price/€	Material no.	Price/€
25		2.248,00 €		2.277,00 €		2.306,00 €
40		2.365,00 €		2.396,50 €		2.428,00 €
50		2.447,00 €		2.478,50 €		2.510,00 €
65		2.972,00 €		3.011,00 €		3.050,00 €
80		3.290,00 €		3.336,00 €		3.382,00 €
100		4.162,00 €		4.218,00 €		4.274,00 €
125		6.929,00 €		7.018,00 €		7.107,00 €
150						

Further types available upon request

SPARE PARTS CONTROL VALVE RK

Seal kit with product contact KV 0.01 to KV 2.5

DN	EPDM		HNBR		FKM	
	Material no.	Price/€	Material no.	Price/€	Material no.	Price/€
25	0905786867	47,00 €		59,00 €		71,00 €
40	0905787050	49,00 €		65,00 €		81,00 €
50						
65						
80						
100						
125						
150						

Seal kit with product contact KV 4 to KV 10

DN	EPDM		HNBR		FKM	
	Material no.	Price/€	Material no.	Price/€	Material no.	Price/€
25						
40	0905786868	64,00 €		80,00 €		96,00 €
50						
65						
80						
100						
125						
150						

Seal kit with product contact KV 16 to KV 40

DN	EPDM		HNBR		FKM	
	Material no.	Price/€	Material no.	Price/€	Material no.	Price/€
25						
40						
50	0905787051	64,00 €		84,00 €		104,00 €
65						
80						
100	0905787125	74,00 €		100,00 €		126,00 €
125						
150						

Seal kit with product contact KV 63

DN	EPDM		HNBR		FKM	
	Material no.	Price/€	Material no.	Price/€	Material no.	Price/€
25						
40						
50						
65						
80	0905787052	68,00 €		94,00 €		120,00 €
100						
125						
150						

Seal kit with product contact KV 100

DN	EPDM		HNBR		FKM	
	Material no.	Price/€	Material no.	Price/€	Material no.	Price/€
25						
40						
50						
65						
80	0905787054	74,00 €		74,00 €		126,00 €
100						
125						
150						

Seal kit with product contact KV 160

DN	EPDM		HNBR		FKM	
	Material no.	Price/€	Material no.	Price/€	Material no.	Price/€
25						
40						
50						
65						
80						
100	0905787128	77,00 €		103,00 €		168,00 €
125						
150	0905787169	179,00 €		231,00 €		283,00 €

Seal kit with product contact KV 250

DN	EPDM		HNBR		FKM	
	Material no.	Price/€	Material no.	Price/€	Material no.	Price/€
25						
40						
50						
65						
80						
100						
125						
150	0905787170	179,00 €		231,00 €		283,00 €

Seal kit with product contact KV 400

DN	EPDM		HNBR		FKM	
	Material no.	Price/€	Material no.	Price/€	Material no.	Price/€
25						
40						
50						
65						
80						
100						
125						
150	0905787172	179,00 €		231,00 €		283,00 €

Seal kit for actuator RK


DN	Material no.	Price/€
	25	0905787173
40		
50		
65		
80		
100		
125		
150		

Bearing set for actuator RK


DN	Material no.	Price/€
	25	0905787174
40		
50		
65		
80		
100	0905787175	59,00 €
125		
150		

ADDITIONAL EQUIPMENT CONTROL VALVE RK

Pressure control valve with pressure gauge LRMA-QS8

	DN	Material no.	Price/€
	25	0027000302	61,80 €
	40		
	50		
	65		
	80		
	100		
	125		
	150		

Reducer Ø 8 mm for tube Ø 6 mm 1.4301

	DN	Material no.	Price/€
	25	0902105870	14,99 €
	40		
	50		
	65		
	80		
	100		
	125		
	150		

Reducer Ø 8 mm for tube Ø 6 mm

	DN	Material no.	Price/€
	25	0901910428	2,17 €
	40		
	50		
	65		
	80		
	100		
	125		
	150		

9 Control Valve R



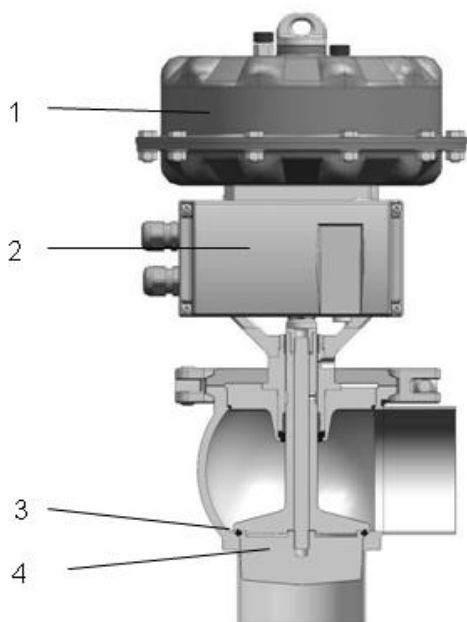
INFORMATION

For special processes requiring absolute precise and rapid control behaviour, such as the addition of basic ingredients, control valves with diaphragm actuator are available. Here, careful attention must be paid to control response. With the use of diaphragm actuators, any stick-slip effect at activation of the actuator is impossible. The diaphragm eliminates an adhesion of the seal in the actuator. Long service life and ease of replacement are further important factors to take into consideration when selecting a valve technique.

EVOGUARD control valves R are designed to deliver high performance during day-to-day operation. To cover a lot of control processes, the equal percentage cone is standard. The allocation of the control valve results from nominal diameter, KV value and seat diameter. The metal stop on the valve disk and the positioning of the seal prevent excessive stress on the seal. Optimal compliance with hygienic design is another outstanding feature of the valves.

Design features of modular control valves R

- Seal geometry optimized for all applicable process conditions
- Two-piece threaded valve disk with defined clearance for the seal enhances ease of installation
- Diaphragm actuator size matched to product pressure
- Allocation according to nominal diameter, KV value and seat diameter



- 1 Diaphragm actuator
- 2 Positioner
- 3 Metal stop
- 4 Two-piece valve disk, threaded

Seat Ø	Value		Stroke 20			Stroke 30		
	Kvs m ³ /h	Cvs US gal/min	DN25	DN40	DN50	DN65	DN80	DN100
3	0.1	0.116	x					
	0.16	0.186						
5	0.25	0.29	x					
	0.4	0.46						
10	0.63	0.73	x	x				
	1	1.16						
	1.6	1.86						
	2.5	2.9						
19	4	4.64	x	x	x			
	6.3	7.31						
26	10	11.6	x	x	x			
38	16	18.56		x	x	x	x	x
	25	29						
50	32	37.12			x	x	x	x
	40	46.4						
66	63	73.1				x	x	x
81	100	116					x	x
100	160	185.6						x

TECHNICAL DATA

Pressures

Product pressure	PN 87 psi (6 bar), 145 psi (10 bar) / vacuum -13.8 psi (-0.95 bar) Further pressures available upon request
Housing	PN 360 psi (25 bar)
Control air pressure	min. 87 psi (6 bar) - max. 115 psi (8 bar)

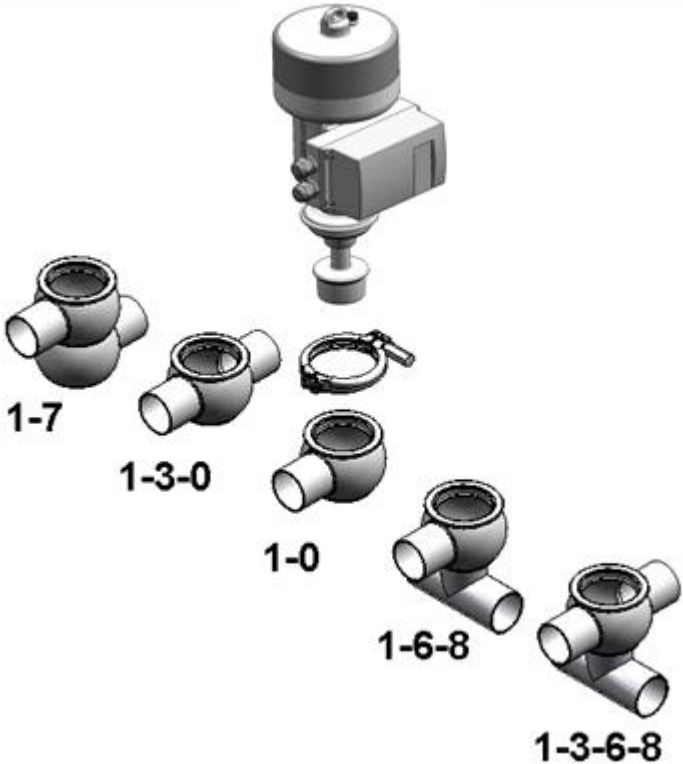
Material

With product contact	1.4404 / AISI 316L
Without product contact	1.4301
Seal	EPDM / FDA Other materials available upon request

Surface

With product contact	$Ra \leq 0.8 \mu$
Without product contact	$Ra \leq 1.6 \mu$

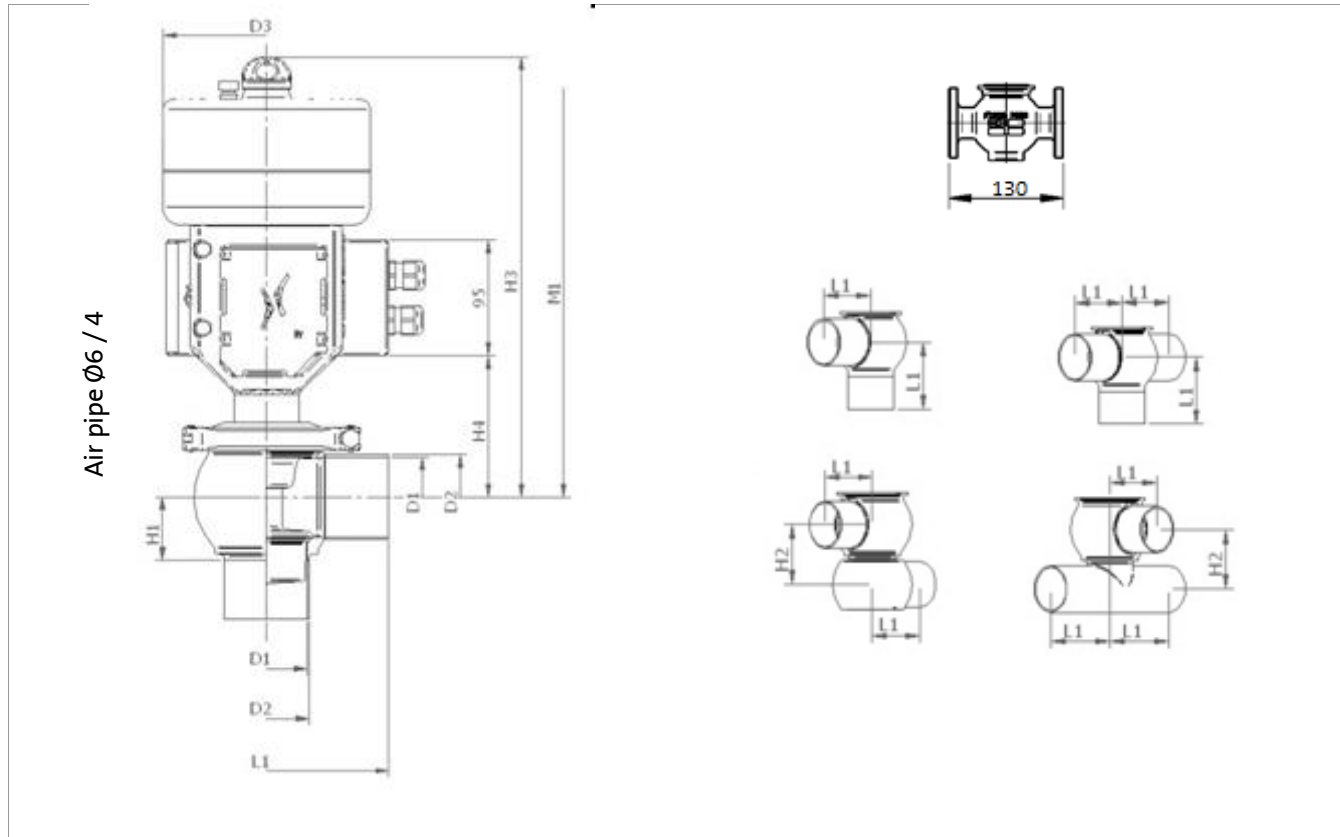
Designs

Housing versions	
Actuator	Pneumatic diaphragm actuator NC / NO
Additional equipment	Positioner set value 4 – 20 mA
Configuration	Download inquiry form: https://www.evoguard.com/en/why-evoguard/downloads-and-pres.php

According to legal requirements
EU Pressure Equipment Directive 2014/68/EU
EU Machinery Directive 2006/42/EC
Design check by TÜV Süd



CONTROL VALVE R WWV



Dimensions

DN	ØD1 mm	ØD2 mm	ØD3 PN10 mm	L1 mm	H1 mm	H2 mm	H3 mm	H4 mm	M1 mm
25	26	29	170	65	31	48	339	93	429
40	38	41	170	75	37	60	349	103	455
50	50	53	170	85	41	70	355	109	466
65	66	70	228	100	52	89	365	116	504
80	81	85	334	110	60	105	441	131	596
100	100	104	334	120	70	124	454	145	637
125									
150									

Weight

DN	1-0 PN10 kg	1-3-0 kg	1-6-8 kg	1-3-6-8 kg
25	12,4			
40	16,3			
50	16,8			
65	23,1			
80	51,5			
100	56,8			
125	74,5			
150				

Housing: 1-0
1-3-0
1-6-8
1-3-6-8

Actuator: NC (spring closing / air opening)
NO (air closing / spring opening)

Seal material: E (EPDM)
F (FKM)
H (HNBR)

Example for Description :

Control Valve R DN80 KV63 10 NC E

KV = 4
10
63
etc.

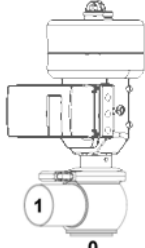
Diameter

Type: R Control Valve

CONTROL VALVE R WWV PRODUCT PRESSURE 6 BAR

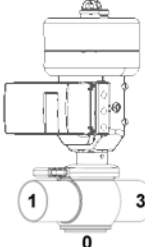
KV value max. corresponding to nominal diameter, positioner Siemens Sipart PS2

1-0
1.4404 / AISI 316L



DN	- EPDM		- HNBR		- FKM	
	Material no.	Price/€	Material no.	Price/€	Material no.	Price/€
25						
40						
50						
65						
80		4.429,00 €		4.475,00 €		4.521,00 €
100		5.889,00 €		5.945,00 €		6.001,00 €
125		9.980,00 €		10.069,00 €		10.158,00 €
150		11.042,00 €		11.136,50 €		11.231,00 €

1-3-0
1.4404 / AISI 316L



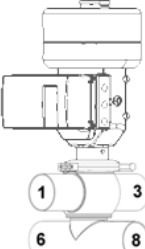
DN	- EPDM		- HNBR		- FKM	
	Material no.	Price/€	Material no.	Price/€	Material no.	Price/€
25						
40						
50						
65						
80		4.534,00 €		4.580,00 €		4.626,00 €
100		6.013,00 €		6.069,00 €		6.125,00 €
125		10.123,00 €		10.212,00 €		10.301,00 €
150		11.201,00 €		11.295,50 €		11.390,00 €

1-6-8
1.4404 / AISI 316L



DN	- EPDM		- HNBR		- FKM	
	Material no.	Price/€	Material no.	Price/€	Material no.	Price/€
25						
40						
50						
65						
80		4.639,00 €		4.685,00 €		4.731,00 €
100		6.137,00 €		6.193,00 €		6.249,00 €
125		10.266,00 €		10.355,00 €		10.444,00 €
150		11.360,00 €		11.454,50 €		11.549,00 €

1-3-6-8
1.4404 / AISI 316L



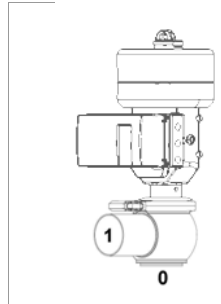
DN	- EPDM		- HNBR		- FKM	
	Material no.	Price/€	Material no.	Price/€	Material no.	Price/€
25						
40						
50						
65						
80		4.744,00 €		4.790,00 €		4.836,00 €
100		6.261,00 €		6.317,00 €		6.373,00 €
125		10.409,00 €		10.498,00 €		10.587,00 €
150		11.519,00 €		11.613,50 €		11.708,00 €

Further types available upon request

CONTROL VALVE R WWV PRODUCT PRESSURE 10 BAR

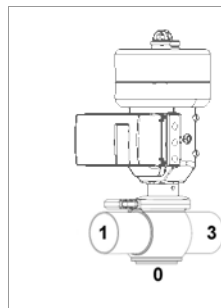
KV value max. corresponding to nominal diameter, positioner Siemens Sipart PS2

1-0
1.4404 / AISI 316L



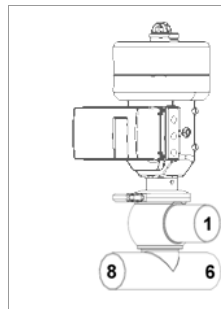
DN	- EPDM		- HNBR		- FKM	
	Material no.	Price/€	Material no.	Price/€	Material no.	Price/€
25		2.200,00 €		2.229,00 €		2.258,00 €
40		2.360,00 €		2.391,50 €		2.423,00 €
50		2.550,00 €		2.581,50 €		2.613,00 €
65		3.100,00 €		3.139,00 €		3.178,00 €
80		5.990,00 €		6.036,00 €		6.082,00 €
100		6.240,00 €		6.296,00 €		6.352,00 €
125		8.369,00 €		8.458,00 €		8.547,00 €
150						

1-3-0
1.4404 / AISI 316L



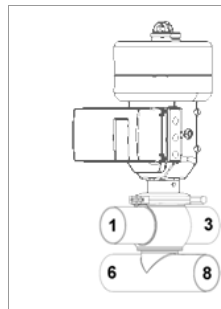
DN	- EPDM		- HNBR		- FKM	
	Material no.	Price/€	Material no.	Price/€	Material no.	Price/€
25		2.271,00 €		2.300,00 €		2.329,00 €
40		2.440,00 €		2.471,50 €		2.503,00 €
50		2.634,00 €		2.665,50 €		2.697,00 €
65		3.194,00 €		3.233,00 €		3.272,00 €
80		6.095,00 €		6.141,00 €		6.187,00 €
100		6.364,00 €		6.420,00 €		6.476,00 €
125		8.512,00 €		8.601,00 €		8.690,00 €
150						

1-6-8
1.4404 / AISI 316L



DN	- EPDM		- HNBR		- FKM	
	Material no.	Price/€	Material no.	Price/€	Material no.	Price/€
25		2.342,00 €		2.371,00 €		2.400,00 €
40		2.520,00 €		2.551,50 €		2.583,00 €
50		2.718,00 €		2.749,50 €		2.781,00 €
65		3.288,00 €		3.327,00 €		3.366,00 €
80		6.200,00 €		6.246,00 €		6.292,00 €
100		6.488,00 €		6.544,00 €		6.600,00 €
125		8.655,00 €		8.744,00 €		8.833,00 €
150						

1-3-6-8
1.4404 / AISI 316L



DN	- EPDM		- HNBR		- FKM	
	Material no.	Price/€	Material no.	Price/€	Material no.	Price/€
25		2.413,00 €		2.442,00 €		2.471,00 €
40		2.600,00 €		2.631,50 €		2.663,00 €
50		2.802,00 €		2.833,50 €		2.865,00 €
65		3.382,00 €		3.421,00 €		3.460,00 €
80		6.305,00 €		6.351,00 €		6.397,00 €
100		6.612,00 €		6.668,00 €		6.724,00 €
125		8.798,00 €		8.887,00 €		8.976,00 €
150						

Further types available upon request

GAS CONTROL VALVES R OVO PRODUCT PRESSURE 10 BAR

KV value max. corresponding to nominal diameter, positioner Siemens Sipart PS2

OVO 1-3
1.4408

	DN	- EPDM		- HNBR		- FKM	
		Material no.	Price/€	Material no.	Price/€	Material no.	Price/€
	25/KV0,63	0903368977	2.200,00 €		2.229,00 €		2.258,00 €
	25/KV1	0903368978	2.200,00 €		2.229,00 €		2.258,00 €
	25/KV1,6	0903368979	2.200,00 €		2.229,00 €		2.258,00 €
	25/KV2,5	0903369030	2.200,00 €		2.229,00 €		2.258,00 €
	25/KV4	0903369031	2.200,00 €		2.229,00 €		2.258,00 €
	25/KV10	0903611550	2.200,00 €		2.229,00 €		2.258,00 €

OVO 1-0
1.4404 / AISI 316L

	DN	- EPDM		- HNBR		- FKM	
		Material no.	Price/€	Material no.	Price/€	Material no.	Price/€
	10/KV0,01	0902885896	3.850,00 €		3.879,00 €		3.908,00 €
	10/KV0,025	0904381407	2.400,00 €		2.429,00 €		2.458,00 €
	10/KV0,04	0904381490	2.400,00 €		2.429,00 €		2.458,00 €
	10/KV0,1	0904264951	2.400,00 €		2.429,00 €		2.458,00 €
	10/KV0,16	0903975844	2.400,00 €		2.429,00 €		2.458,00 €
	10/KV0,25	0903559980	2.400,00 €		2.429,00 €	0904230765	2.458,00 €
	10/KV0,63	0902858498	2.400,00 €		2.429,00 €	0904095443	2.458,00 €
	10/KV1	0904264952	2.400,00 €		2.429,00 €		2.458,00 €

Further types available upon request

SPARE PARTS CONTROL VALVE R

Seal kit with product contact, KV 0.01 to KV 2.5

DN	EPDM		HNBR		FKM	
	Material no.	Price/€	Material no.	Price/€	Material no.	Price/€
25	0903425799	47,00 €	0903966831	59,00 €	0903425840	71,00 €
40	0903966830	49,00 €	0903967323	65,00 €	0903966792	81,00 €
50						
65						
80						
100						
125						
150						

Seal kit with product contact, KV 4 to KV 10

DN	EPDM		HNBR		FKM	
	Material no.	Price/€	Material no.	Price/€	Material no.	Price/€
25						
40	0903425841	64,00 €	0903967253	80,00 €	0903425842	96,00 €
50						
65						
80						
100						
125						
150						

Seal kit with product contact, KV 16 to KV 40

DN	EPDM		HNBR		FKM	
	Material no.	Price/€	Material no.	Price/€	Material no.	Price/€
25						
40						
50						
65	0903425843	64,00 €	0903967325	84,00 €	0903425844	104,00 €
80						
100	0903425845	74,00 €	0903967328	100,00 €	0903425847	126,00 €
125						
150						

Seal kit with product contact, KV 63

DN	EPDM		HNBR		FKM	
	Material no.	Price/€	Material no.	Price/€	Material no.	Price/€
25						
40						
50						
65						
80	0903425848	68,00 €	0903967381	94,00 €	0903425849	120,00 €
100						
125						
150						

Seal kit with product contact, KV 100

DN	EPDM		HNBR		FKM	
	Material no.	Price/€	Material no.	Price/€	Material no.	Price/€
25						
40						
50						
65						
80						
100	0903425850	74,00 €	0903967383	100,00 €	0903425851	126,00 €
125						
150						

Seal kit with product contact, KV 160

DN	EPDM		HNBR		FKM	
	Material no.	Price/€	Material no.	Price/€	Material no.	Price/€
25						
40						
50						
65						
80						
100	0903425852	77,00 €	0903967385	103,00 €	0903425853	168,00 €
125						
150	0903425859	179,00 €	0903967387	231,00 €	0903425860	283,00 €

Seal kit with product contact, KV 250

DN	EPDM		HNBR		FKM	
	Material no.	Price/€	Material no.	Price/€	Material no.	Price/€
25						
40						
50						
65						
80						
100						
125						
150	0903425854	179,00 €	0903967388	231,00 €	0903425855	283,00 €

Seal kit with product contact, KV 400

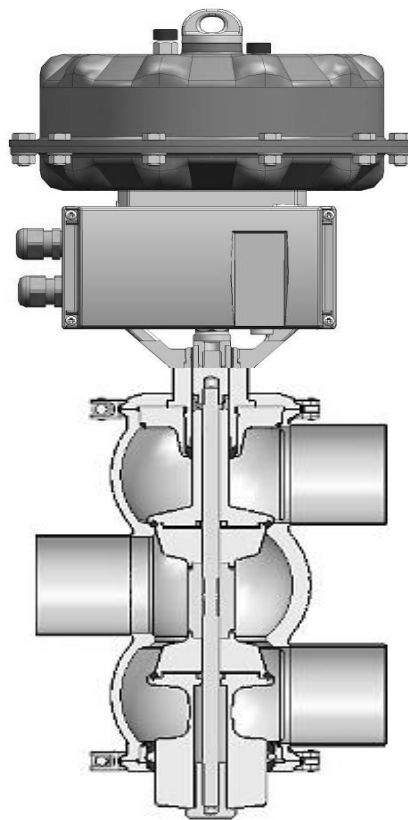
DN	EPDM		HNBR		FKM	
	Material no.	Price/€	Material no.	Price/€	Material no.	Price/€
25						
40						
50						
65						
80						
100						
125						
150	0903425856	179,00 €	0903967404	231,00 €	0903425857	283,00 €

CONTROL DIVERT VALVE RC PRODUCT PRESSURE 10 BAR

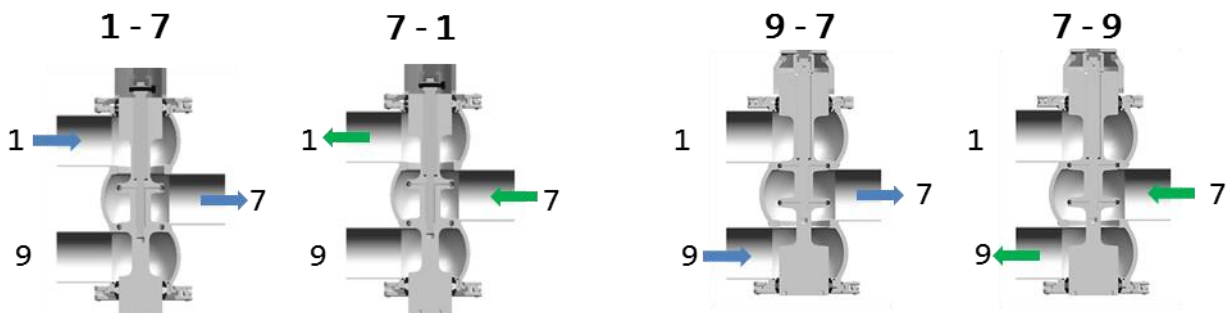
Design features of modular control divert valves

- Variable path direction
- Diaphragm actuator size matched to product pressure
- Allocation according to nominal diameter, KV value and seal diameter
- One-piece housing, free from dead area, drainable
- Seal geometry optimized for all applicable process conditions
- Threaded valve disk with defined clearance for the seal enhances ease of installation

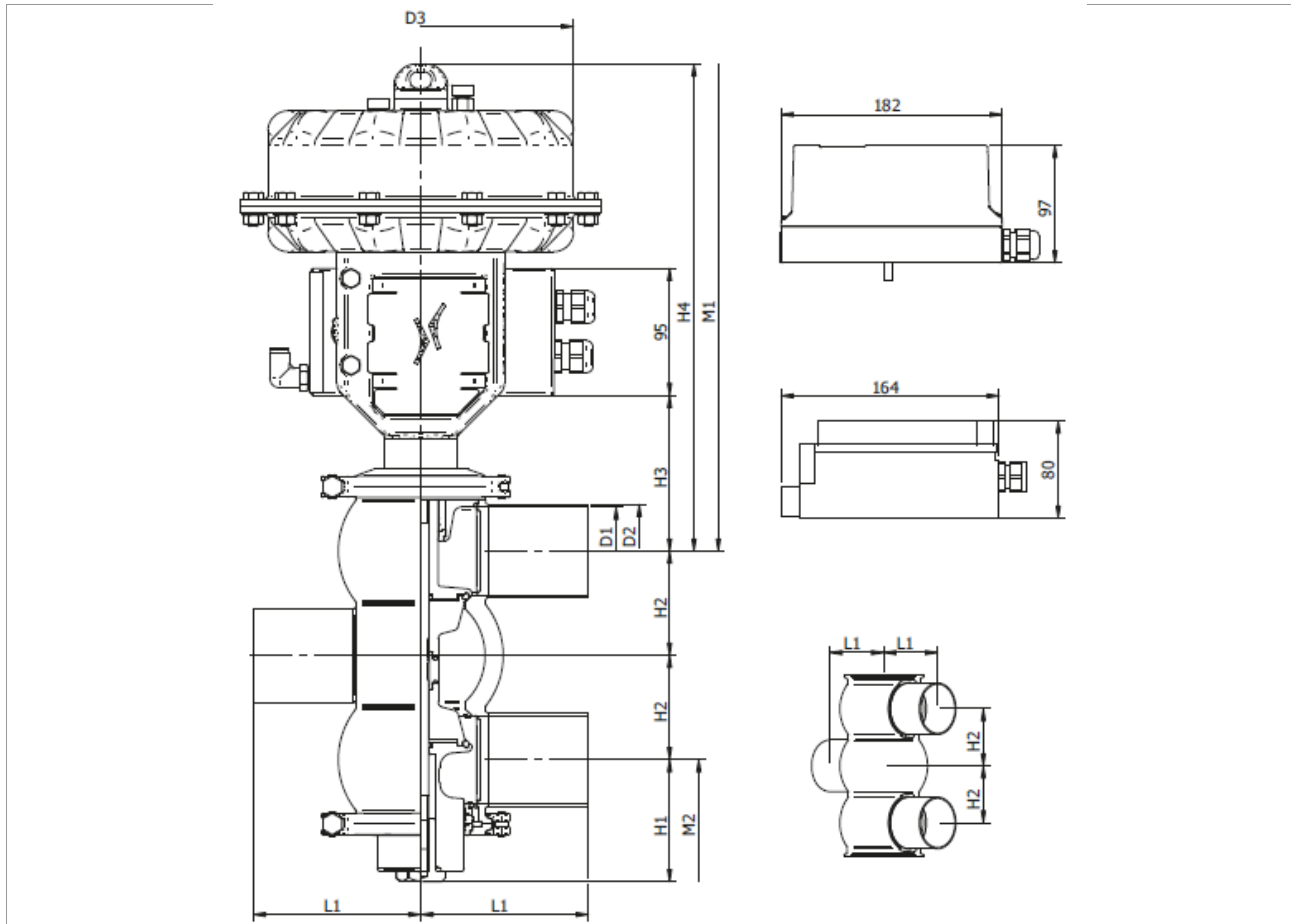
Function NC



Path direction



CONTROL DIVERT VALVE RC DN

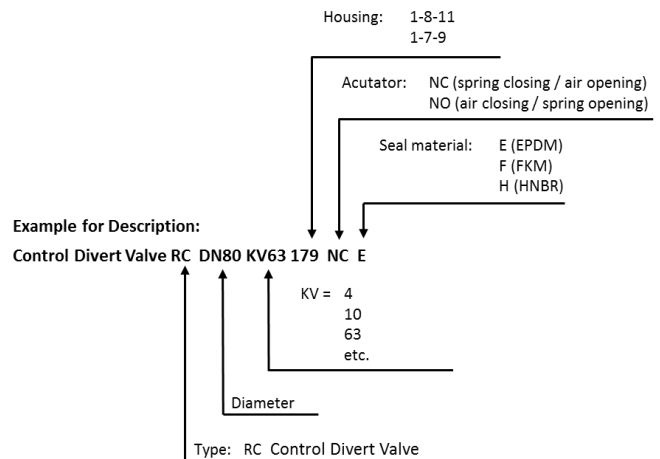


Dimensions

DN	ØD1 mm	ØD2 mm	ØD3 mm	L1 mm	H1 mm	H2 mm	H3 mm	H4 mm	M1 mm	M2 mm	Stroke mm
25											
40	38	41	170	90	62	52	102	350	555	142	12
50	50	53	170	90	78	62	109	355	590	154	18
65	66	70	228	125	92	78	117	365	656	184	22
80	81	85	228	125	104	93	124	372	727	227	25
100	100	104	228	125	124	112	138	386	790	252	28
125											
150											

Weight

DN	1-8-11 kg	1-7-9 kg	kg	kg
25				
40	19,2			
50	19,7			
65	28,8			
80	34,4			
100	44,7			
125				
150				



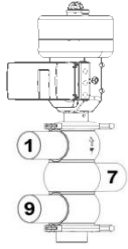
CONTROL DIVERT VALVE RC PRODUCT PRESSURE 10 BAR

KV value max. corresponding to nominal diameter, positioner Siemens Sipart PS2

1-7-9

1.4404 / AISI 316L

DN	- EPDM		- HNBR		- FKM	
	Material no.	Price/€	Material no.	Price/€	Material no.	Price/€
25		3.391,00 €		3.439,00 €		3.487,00 €
40		3.650,00 €		3.714,00 €		3.778,00 €
50		4.350,00 €		4.414,00 €		4.478,00 €
65		4.990,00 €		5.062,00 €		5.134,00 €
80		8.240,00 €		8.320,00 €		8.400,00 €
100		8.660,00 €		8.764,00 €		8.868,00 €
125						
150						



SPARE PARTS CONTROL DIVERT VALVE RC

Seal kit with product contact

	DN	EPDM		HNBR		FKM	
		Material no.	Price/€	Material no.	Price/€	Material no.	Price/€
	25						
	40	0904215329	75,00 €	0904220024	105,00 €	0904220022	128,00 €
	50	0904215329	75,00 €	0904220024	105,00 €	0904220022	128,00 €
	65	0904215500	85,00 €	0904220028	119,00 €	0904220026	145,00 €
	80	0904215501	120,00 €	0904220083	170,00 €	0904220080	205,00 €
	100	0904215504	135,00 €	0904220114	205,00 €	0904220105	230,00 €
	125						
	150						

Bearing set

	DN		
		Material no.	Price/€
	25		
	40	0904215505	32,00 €
	50	0904215505	32,00 €
	65	0904215584	40,00 €
	80	0904215585	45,00 €
	100	0904215587	80,00 €
	125		
	150		

SPARE PARTS DIAPHRAGM ACTUATOR

Diaphragm for diaphragm actuator

	TYPE	NBR	
	813	Material no.	Price/€
	MF I	0904201142	222,00 €
	MF III	0904201144	449,00 €

Sealing and bearing set for diaphragm actuator

	TYPE	NBR	
	813	Material no.	Price/€
	MF I	0904202629	141,00 €
	MF III	0904202289	237,00 €

Positioner without mounting parts

	DN	NBR	
		Material no.	Price/€
	Siemens Sipart PS2	0902798583	915,00 €
	Siemens Sipart PS 2 HART	0903626760	1.976,00 €

10 ESL Seat Valve SD



INFORMATION

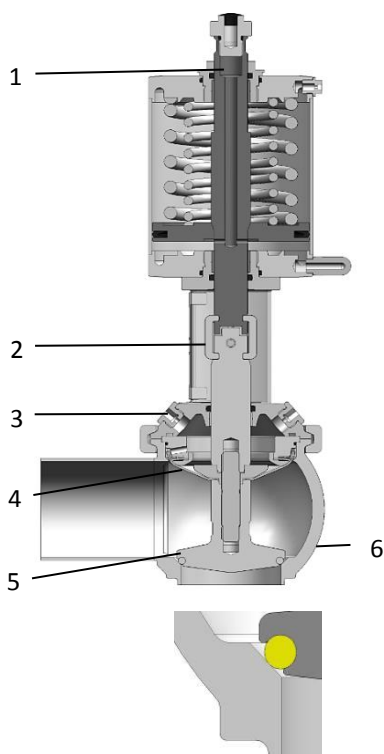
The E(extended)S(shelf)L(life) seat valve is used to shut off pipe systems in ESL processes. Ensuring a high hygienic level without employing aseptic valve technology is mandatory for numerous applications in beverage production.

The Evoguard ESL valve line provides beverage producers with a hygienic design of seat valves and double seat mixproof valves for safe processes during the production of sensitive products. The high economic efficiency of these valves is based on lower costs as compared to aseptic valve technology as well as the high number of cycles that can be achieved.

The EVOGUARD ESL line meets all requirements to valve lines in hygiene class IV. It is employed for sensitive refreshment drinks without preservatives and drinks which need not be distributed in a cold chain. Both ESL seat valves and ESL double seat valves exhibit new important details at key points of valve design to ensure a high-level product safety.

Design features of modular ESL seat valves

- Valve housing without dome, designed for PN 25
- Newly developed sealing system using a stainless steel spring element to produce contact pressure at the sealing point, for a hermetical sealing of the product room against the atmosphere
- Free cross sections in the valve housing enable gentle handling of the product without pressure loss, resulting in lower energy consumption
- Maintenance-free actuator, designed for 1,000,000 cycles
- Actuator allocation according to product pressure, 6 bar or 10 bar



One-piece valve disk,
PT FE Compound seal

- 1 Internal air flow for version with control head
- 2 Valve shaft connection with rotational decoupling
- 3 Connection for leakage discharge
- 4 Diaphragm technology
- 5 Valve disk
- 6 Optimised one-piece housing

TECHNICAL DATA

Pressures

Product pressure	PN 87 psi (6 bar), 145 psi (10 bar) / vacuum -13.8 psi (-0.95 bar)
Housing	PN 360 psi (25 bar)
Control air pressure	min. 87 psi (6 bar) - max. 115 psi (8 bar)

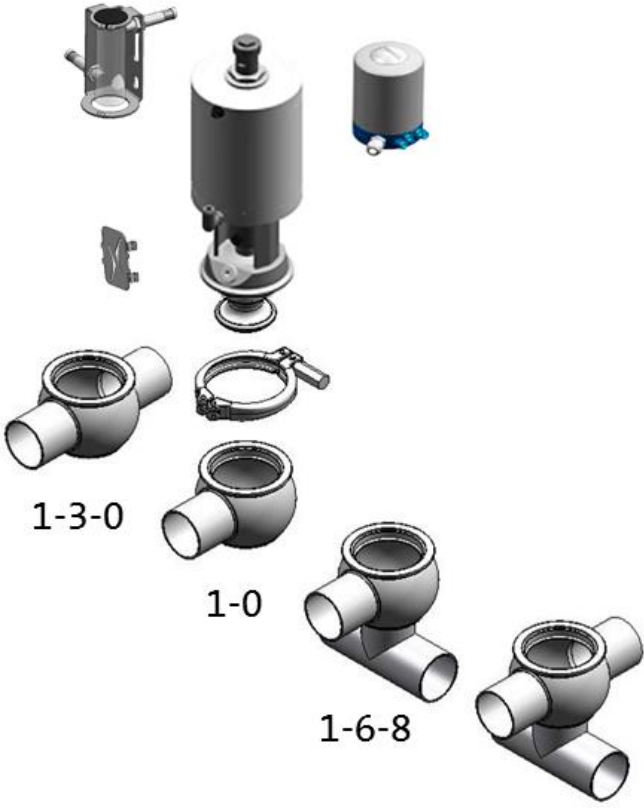
Material

With product contact	1.4404 / AISI 316L
Without product contact	1.4301
Seal	PTFE Compound

Surface

With product contact	Ra ≤ 0.8 μ
Without product contact	Ra ≤ 1.6 μ

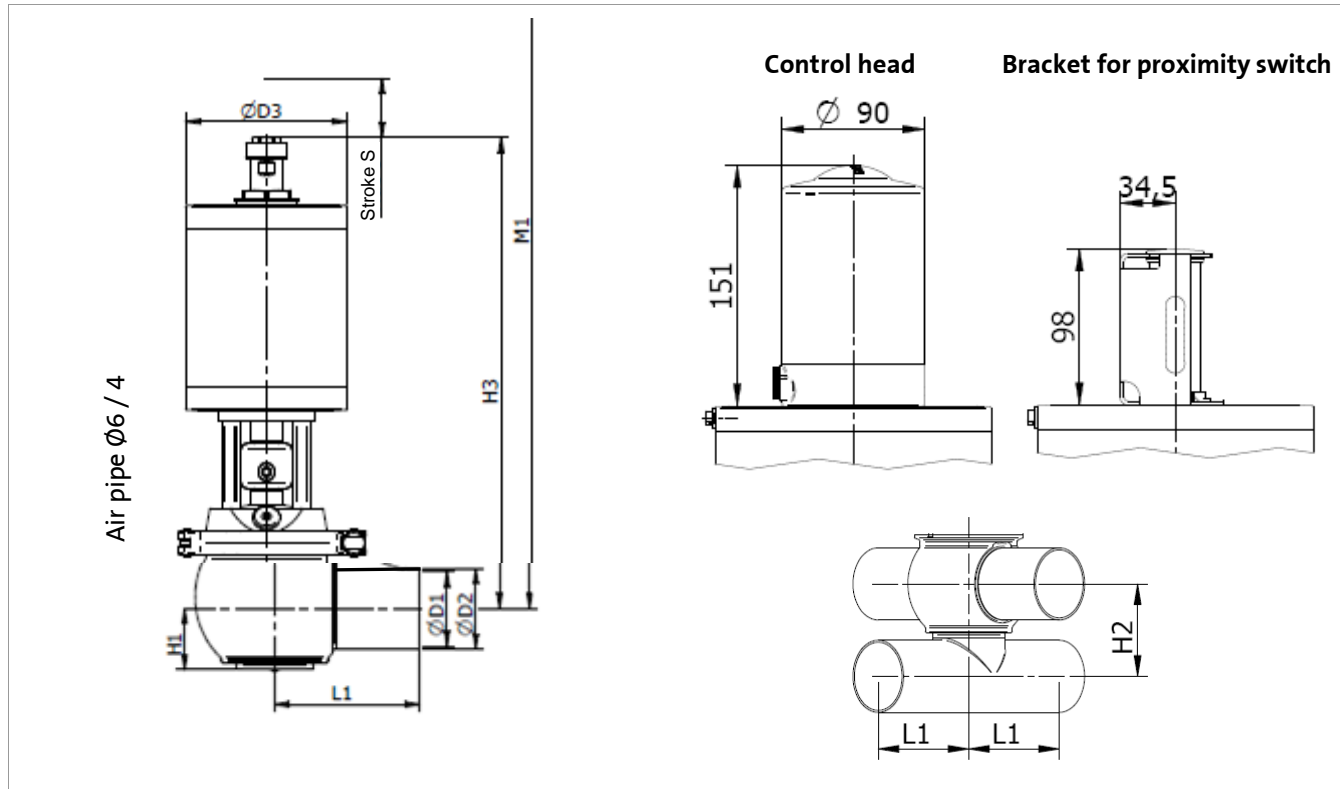
Designs

Housing versions	
Actuator	Pneumatic actuator NC / NO / AA
Additional equipment	Control head Proximity switch M12x1

According to legal requirements
EU Pressure Equipment Directive 2014/68/EU
EU Machinery Directive 2006/42/EC
Design check by TÜV Süd



ESL SEAT VALVE SD

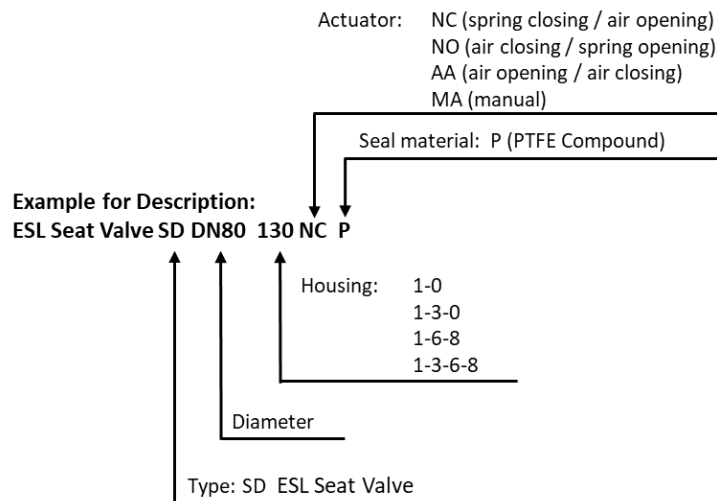


Dimensions

DN	ØD1 mm	ØD2 mm	ØD3 PN 6 mm	ØD3 PN 10 mm	L1 mm	H1 mm	H2 mm	H3 PN 6 mm	H3 PN10 mm	M1 mm	Stroke mm
25											
40	38	41		108	90	39	62	329	329	420	9
50	50	53		108	90	41	70	335	335	445	15
65	66	70	108	133	125	52	90	361	361	485	18
80	81	85	133	173	125	60	105	373	444	595	22
100	100	104	173	216	125	70	125	459	467	640	28
125	125	129	216	216	150	82	149	480	690	895	33
150											

Weight

DN	1-0 PN 6 kg	1-0 PN10 kg
25		
40		8,7
50		8,9
65	11,2	13,6
80	16,7	24,8
100	30,6	41,8
125	50,1	66,5
150		




ESL SEAT VALVE SD NC PRODUCT PRESSURE 6 BAR

Including switch mount for proximity switch

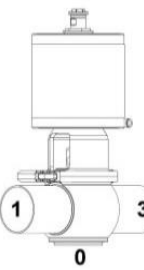
1-0
1.4404 / AISI 316L

DN	- PTFE Compound	
	Material no.	Price/€
25		
40		
50		
65		1.480,00 €
80		1.980,00 €
100		2.420,00 €
125		
150		



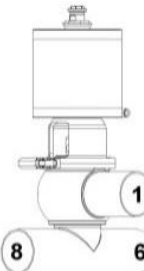
1-3-0
1.4404 / AISI 316L

DN	- PTFE Compound	
	Material no.	Price/€
25		
40		
50		
65		1.594,00 €
80		2.105,00 €
100		2.564,00 €
125		
150		



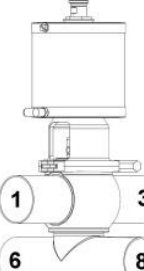
1-6-8
1.4404 / AISI 316L

DN	- PTFE Compound	
	Material no.	Price/€
25		
40		
50		
65		1.668,00 €
80		2.190,00 €
100		2.668,00 €
125		
150		



1-3-6-8
1.4404 / AISI 316L

DN	- PTFE Compound	
	Material no.	Price/€
25		
40		
50		
65		1.782,00 €
80		2.315,00 €
100		2.812,00 €
125		
150		



ESL SEAT VALVE SD NC PRODUCT PRESSURE 10 BAR
Including switch mount for proximity switch

1-0
1.4404 / AISI 316L

DN	- PTFE Compound	
	Material no.	Price/€
25		
40		1.285,00 €
50	0905376881	1.410,00 €
65	0905226320	1.780,00 €
80		2.499,00 €
100		3.020,00 €
125		
150		

1-3-0
1.4404 / AISI 316L

DN	- PTFE Compound	
	Material no.	Price/€
25		
40		1.385,00 €
50		1.514,00 €
65		1.894,00 €
80		2.624,00 €
100		3.164,00 €
125		
150		

1-6-8
1.4404 / AISI 316L

DN	- PTFE Compound	
	Material no.	Price/€
25		
40		1.445,00 €
50		1.578,00 €
65		1.968,00 €
80		2.709,00 €
100		3.268,00 €
125		
150		

1-3-6-8
1.4404 / AISI 316L

DN	- PTFE Compound	
	Material no.	Price/€
25		
40		1.545,00 €
50		1.682,00 €
65		2.082,00 €
80		2.834,00 €
100		3.412,00 €
125		
150		


SPARE PARTS ESL SEAT VALVE SD

Seal kit with product contact

DN	PTFE Compound	
	Material no.	Price/€
25		
40		232,00 €
50		232,00 €
65	0905294801	277,00 €
80		331,00 €
100		382,00 €
125		
150		

Diaphragm

DN	PTFE Compound	
	Material no.	Price/€
25		
40	0904575431	180,00 €
50	0904575431	180,00 €
65		230,00 €
80	0904608047	276,00 €
100		354,00 €
125		
150		



Seal kit, actuator

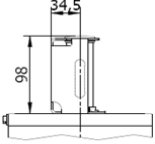
DN	Material no.	Price/€
	25	
40		
50		
65	0902517095	8,80 €
80		
100		
125		
150		

Bearing set

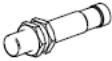
DN	Material no.	Price/€
	25	
40		33,00 €
50		33,00 €
65		39,00 €
80		48,00 €
100		57,00 €
125		
150		

ADDITIONAL EQUIPMENT ESL SEAT VALVE SD

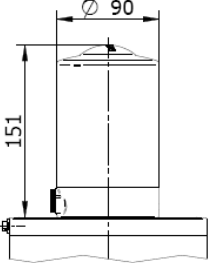
Proximity switch mount M12x1

	DN	Material no.	Price/€
	25	0903370971	118,00 €
	40		
	50		
	65		
	80		
	100		
	125		
	150		

Proximity switch M12x1

	DN	Material no.	Price/€
	25	0901443696	21,20 €
	40		
	50		
	65		
	80		
	100		
	125		
	150		

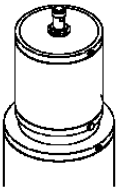
Control head, 2 proximity switches

	DN	24 V DC 2 proximity switches 1 solenoid valve		24 V DC ASI 2 proximity switches 1 solenoid valve	
		Material no.	Price/€	Material no.	Price/€
	25	0903679841	294,00 €	0904774860	384,00 €
	40				
	50				
	65				
	80				
	100				
	125				
150					

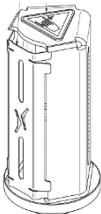
Control head, IO link

	DN	IO link Port class A (4-pole) 1 solenoid valve		IO link Port class B (5-pole) 1 solenoid valve	
		Material no.	Price/€	Material no.	Price/€
	25	799,00 €	870,00 €		
	40				
	50				
	65				
	80				
	100				
	125				
150					

Damping cylinder

	DN	Material no.	Price/€
	25	0902823833	890,00 €
	40		
	50		
	65		
	80		
	100		
	125		
	150		

Limit of stroke, position OPEN or CLOSE

	DN	Material no.	Price/€
	25	0903887569	247,00 €
	40		
	50		
	65		
	80		
	100		
	125		
	150		

11 ESL Double Seat Valve MD



INFORMATION

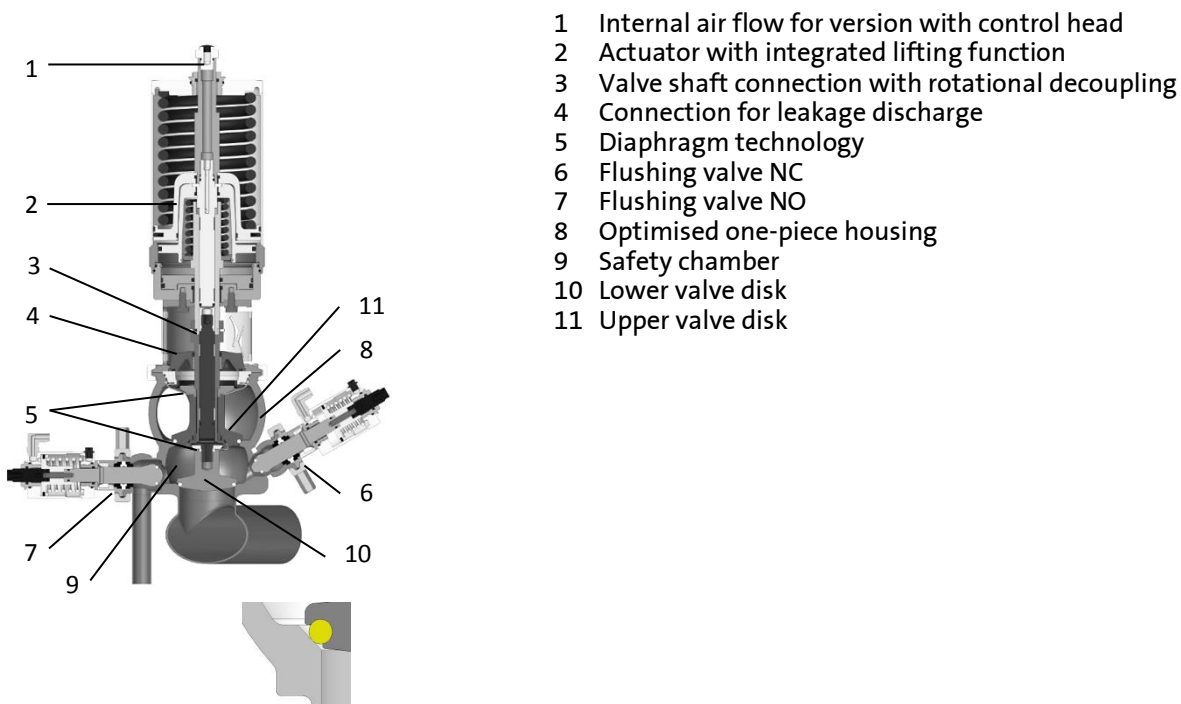
Sensitive products, such as sensitive refreshment drinks without preservatives or drinks which need not be distributed in a cold chain, need to be treated with special care. The highest safety standards along the entire product handling chain are needed to guarantee that quality and shelf life will leave no grounds for complaint. In addition to the use of seat valves, the integration of ESL double seat valves based on the same design principle makes it possible to control numerous product and media flows not only under optimum hygienic conditions but also fully automatically and in minimum space.

The ESL valve is the nodal point for connections between individual pipe lines.

The new concept underlying these ESL valves is based on extensive tests, which were carried out under production conditions in the valve technology field, and on the use of modern methods of analysis and engineering design. With these data it has been possible to realise optimised details of design for all components. For you this means not only top performance of the individual components but also coherent concepts for your process as a whole.

Design features of modular ESL double seat valves

- Valve housing without dome, designed for PN 25
- Newly developed sealing system using a stainless steel spring element to produce contact pressure at the sealing point, for a hermetical sealing of the product room against the atmosphere
- Using independently working valve disks, each with its own seal, it is possible to realise the safe separation of incompatible products. The safety chamber between the valve disks is connected via the flushing valves
- Cleaning and/or sterilisation of the safety chamber is performed via the flushing valves or by lifting the upper or lower valve disk
- Free cross sections in the valve housing enable gentle handling of the product without pressure loss, resulting in lower energy consumption
- Actuator allocation according to product pressure, 6 bar or 10 bar, with integrated lifting functions allowing for fast cycle times at low air consumption
- The option of using a temperature sensor makes it possible to monitor the temperature directly in the housing



One-piece valve disk,
PT FE Compound seal

TECHNICAL DATA

Pressures

Product pressures	PN 87 psi (6 bar), 145 psi (10 bar) / vacuum -13.8 psi (-0.95 bar)
CIP / SIP max.	50 psi (3.5 bar) over flushing valve
Reinigungsdruck max.	73 psi (5 bar) when lifting valve disk
Gehäuse	PN 360 psi (25 bar)
Steuerluftdruck	min. 87 psi (6 bar) - max. 115 psi (8 bar)

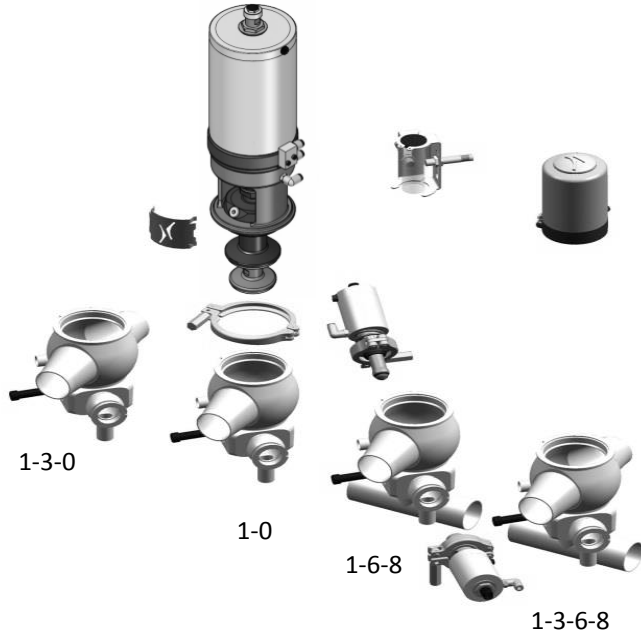
Material

With product contact	1.4404 / AISI 316L
Without product contact	1.4301
Seal	PTFE Compound

Surface

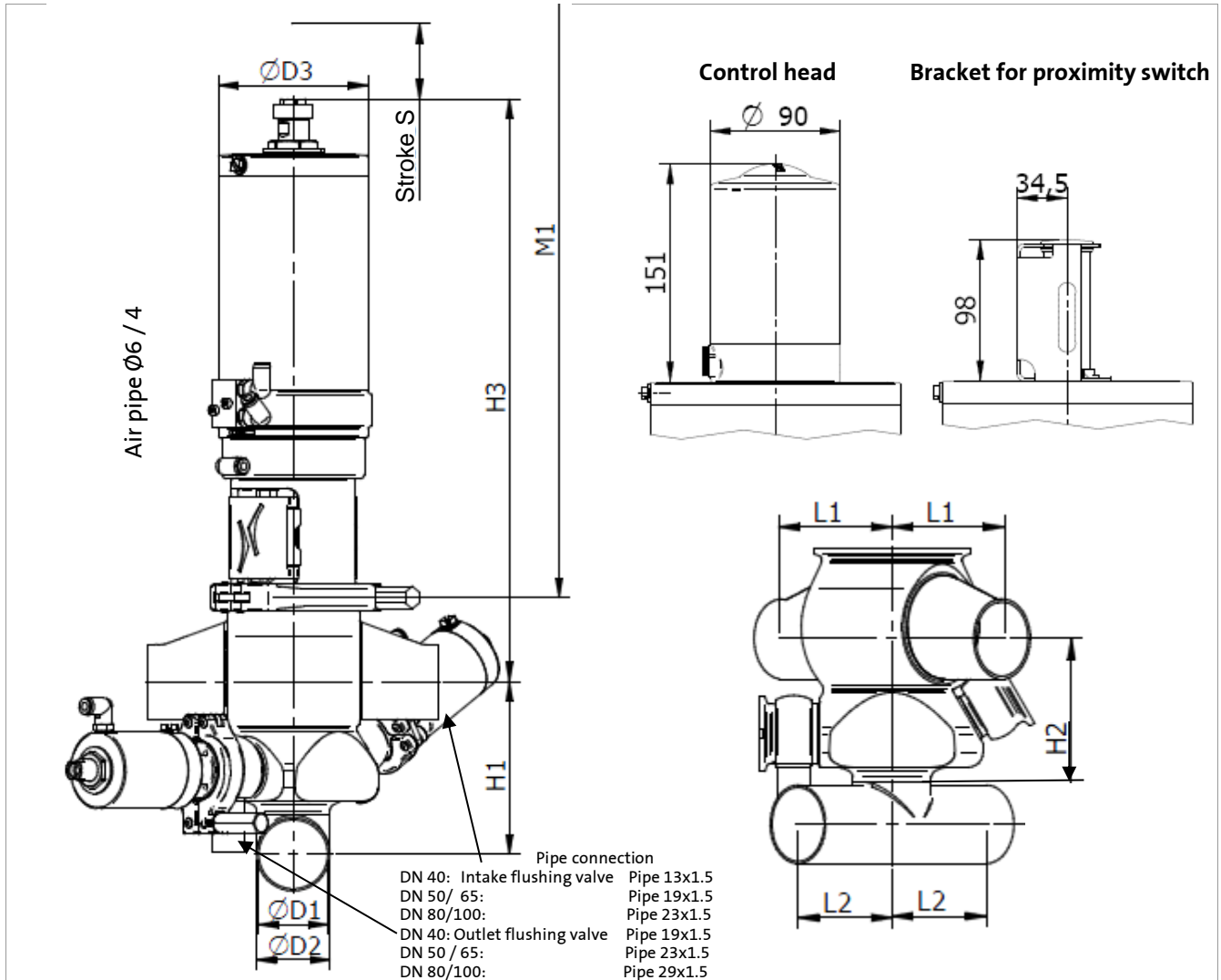
With product contact	Ra ≤ 0.8 μ
Without product contact	Ra ≤ 1.6 μ

Designs

Housing versions	
Actuator	Pneumatic actuator NC
Additional equipment	Control head Proximity switch M12x1

According to legal requirements
EU Pressure Equipment Directive 2014/68/EU
EU Machinery Directive 2006/42/EC
Design check by TÜV Süd

ESL DOUBLE SEAT VALVE MD NC

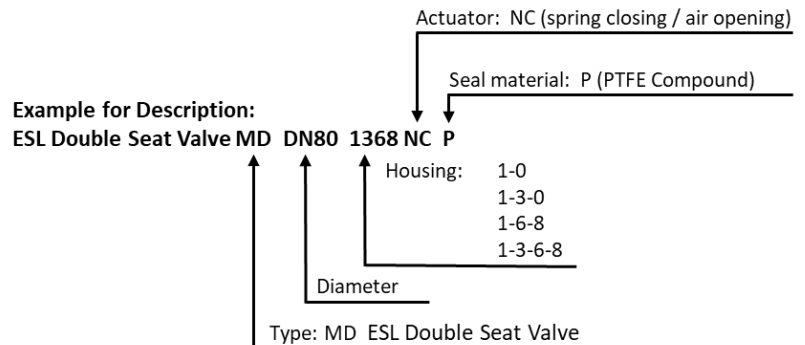


Dimensions

DN	ØD1 mm	ØD2 mm	ØD3 PN 6 mm	ØD3 PN10 mm	L1 mm	L2 mm	H1 mm	H2 mm	H3 PN 6 mm	H3 PN10 mm	M1 PN 6 mm	M1 PN 10 mm	Stroke mm
25													
40	38	41	89	108	90	90	107	82	366	395	490	525	11,5
50	50	53	108	133	105	90	125	96	423	450	575	605	15,5
65	66	70	133	173	110	125	143	105	458	525	630	695	19
80	81	85	173	216	135	165	167	122	545	552	760	765	23,5
100	100	104	216	216	160	180	186	131	595	805	830	1040	27,5
125													
150													

Weight

DN	1-3-6-8 PN 6 kg	1-3-6-8 PN10 kg
25		
40	14,6	17,2
50	20,5	25,0
65	29	40,0
80	50,9	66,6
100	73,9	90,2
125		
150		



ESL DOUBLE SEAT VALVE MD NC PRODUCT PRESSURE 6 BAR

Including switch mount for proximity switch

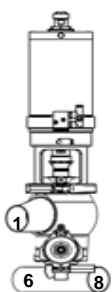
1-3-6-8
1.4404 / AISI 316L

DN	- PTFE Compound	
	Material no.	Price/€
25		
40		4.200,00 €
50		4.424,00 €
65		4.811,00 €
80		5.505,00 €
100		7.846,00 €
125		12.150,00 €
150		



1-6-8
1.4404 / AISI 316L

DN	- PTFE Compound	
	Material no.	Price/€
25		
40		4.100,00 €
50		4.320,00 €
65		4.696,00 €
80		5.380,00 €
100		7.702,00 €
125		11.952,00 €
150		



1-3-0
1.4404 / AISI 316L

DN	- PTFE Compound	
	Material no.	Price/€
25		
40		4.100,00 €
50		4.320,00 €
65		4.696,00 €
80		5.380,00 €
100		7.702,00 €
125		11.952,00 €
150		



1-0
1.4404 / AISI 316L

DN	- PTFE Compound	
	Material no.	Price/€
25		
40		4.000,00 €
50		4.210,00 €
65		4.581,00 €
80		5.255,00 €
100		7.558,00 €
125		11.754,00 €
150		



ESL DOUBLE SEAT VALVE MD NC PRODUCT PRESSURE 10 BAR

Including switch mount for proximity switch

1-3-6-8

1.4404 / AISI 316L

DN	- PTFE Compound	
	Material no.	Price/€
25		
40		5.429,00 €
50		5.720,00 €
65		6.259,00 €
80		7.125,00 €
100		10.168,00 €
125		
150		

1-6-8

1.4404 / AISI 316L

DN	- PTFE Compound	
	Material no.	Price/€
25		
40		5.329,00 €
50		5.616,00 €
65		6.144,00 €
80		7.000,00 €
100		10.024,00 €
125		
150		

1-3-0

1.4404 / AISI 316L

DN	- PTFE Compound	
	Material no.	Price/€
25		
40		5.329,00 €
50		5.616,00 €
65		6.144,00 €
80		7.000,00 €
100		10.024,00 €
125		
150		

1-0

1.4404 / AISI 316L

DN	- PTFE Compound	
	Material no.	Price/€
25		
40		5.229,00 €
50		5.512,00 €
65		6.029,00 €
80		6.875,00 €
100		9.880,00 €
125		
150		

SPARE PARTS ESL DOUBLE SEAT VALVE MD

Seal kit main valve, with product contact

	DN	PTFE Compound	
		Material no.	Price/€
	25		
	40		464,00 €
	50		464,00 €
	65	0905244631	554,00 €
	80		662,00 €
	100		764,00 €
	125		
	150		

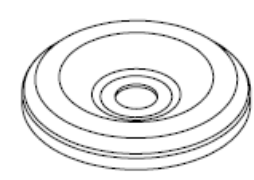
Seal kit, intake flushing valve, with product contact

	DN	EPDM / PTFE Compound		FKM / PTFE Compound	
		Material no.	Price/€	Material no.	Price/€
	25				
	40		59,00 €		
	50		66,00 €		
	65		66,00 €		
	80		69,00 €		
	100		69,00 €		
	125				
	150				

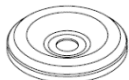
Seal kit, outlet flushing valve, with product contact

	DN	EPDM / PTFE Compound		FKM / PTFE Compound	
		Material no.	Price/€	Material no.	Price/€
	25				
	40		66,00 €		
	50		69,00 €		
	65		69,00 €		
	80		76,00 €		
	100		76,00 €		
	125				
	150				

Upper diaphragm – PTFE Compound

	DN	PTFE Compound	
		Material no.	Price/€
	25		
	40	0904574638	180,00 €
	50	0904613970	199,00 €
	65	0904570333	230,00 €
	80	0904615400	276,00 €
	100	0904615835	354,00 €
	125		
	150		

Lower diaphragm – PTFE Compound

	DN	PTFE Compound	
		Material no.	Price/€
	25		
	40		
	50		
	65	0904570189	180,00 €
	80		
	100		
	125		
	150		

Seal kit, actuator main valve PN 6

	DN		
		Material no.	Price/€
	25		
	40	0903064068	21,00 €
	50	0903064113	24,00 €
	65	0903064116	24,00 €
	80	0903064119	54,00 €
	100	0903064120	59,00 €
	125		
	150		

Seal kit, actuator main valve PN 10

	DN		
		Material no.	Price/€
	25		
	40	0903064113	24,00 €
	50	0903064116	24,00 €
	65	0903064119	54,00 €
	80	0903064120	59,00 €
	100	0903064120 0903063354	89,00 €
	125		
	150		

Seal kit, actuator flushing valve

	DN		
		Material no.	Price/€
	25		
	40		
	50		
	65	0902517095	8,80 €
	80		
	100		
	125		
	150		

Bearing set, main valve PN6

	DN		
		Material no.	Price/€
	25		
	40		88,00 €
	50		90,00 €
	65		94,00 €
	80		99,00 €
	100		109,00 €
	125		
	150		

Bearing set, main valve PN10

	DN		
		Material no.	Price/€
	25		
	40		90,00 €
	50		94,00 €
	65		99,00 €
	80		109,00 €
	100		169,00 €
	125		
	150		

Bearing set, flushing valve intake

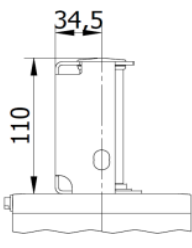
	DN		
		Material no.	Price/€
	25		
	40		
	50		
	65	0903063891	32,00 €
	80		
	100		
	125		
	150		

Bearing set, flushing valve outlet

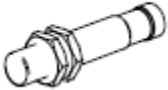
	DN		
		Material no.	Price/€
	25		
	40		
	50	0903063891	32,00 €
	65		
	80		
	100	0903063808	35,00 €
	125		
	150		

ADDITIONAL EQUIPMENT ESL DOUBLE SEAT TANK OUTLET VALVE MTD

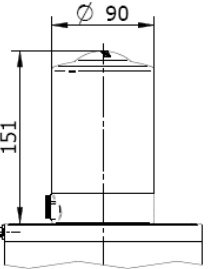
Proximity switch mount M12x1

	DN	Material no.	Price/€
	25	0903370971	118,00 €
	40		
	50		
	65		
	80		
	100		
	125		
	150		

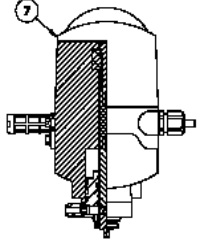
Proximity switch M12x1

	DN	Material no.	Price/€
	25	0901443696	21,20 €
	40		
	50		
	65		
	80		
	100		
	125		
	150		

Control head flushing valve / 2 proximity switches

	DN	24 V DC 2 proximity switches 1 solenoid valve		24 V DC ASI 2 proximity switches 1 solenoid valve	
		Material no.	Price/€	Material no.	Price/€
	25		294,00 €		384,00 €
	40				
	50				
	65				
	80				
	100				
	125				
150					

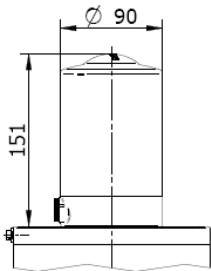
Control head flushing valve, IO link

	DN	IO link Port class A (4-pole) 1 valve		IO link Port class B (5-pole) 1 solenoid valve	
		Material no.	Price/€	Material no.	Price/€
	25		799,00 €		870,00 €
	40				
	50				
	65				
	80				
	100				
	125				
150					

EVOGUARD

ESL Double Seat Valve MD


Control head main valve

	DN	24 V DC Position measurement system 3 solenoid valves		24 V DC ASI Position measurement system 3 solenoid valves	
		Material no.	Price/€	Material no.	Price/€
	25	0903628605	529,00 €	0903628606	698,00 €
	40				
	50				
	65				
	80				
	100				
	125				
	150				

Control head main valve, IO link

	DN	IO link Port class A (4-pole) 3 solenoid valves		IO link Port class B (5-pole) 3 solenoid valves	
		Material no.	Price/€	Material no.	Price/€
	25		890,00 €		990,00 €
	40				
	50				
	65				
	80				
	100				
	125				
	150				

Surcharge for adapter for temperature sensor welded in the housing

	DN		
		Material no.	Price/€
	25	0902324750	300,00 €
	40		
	50		
	65		
	80		
	100		
	125		
	150		

12 ESL Control Valve RD



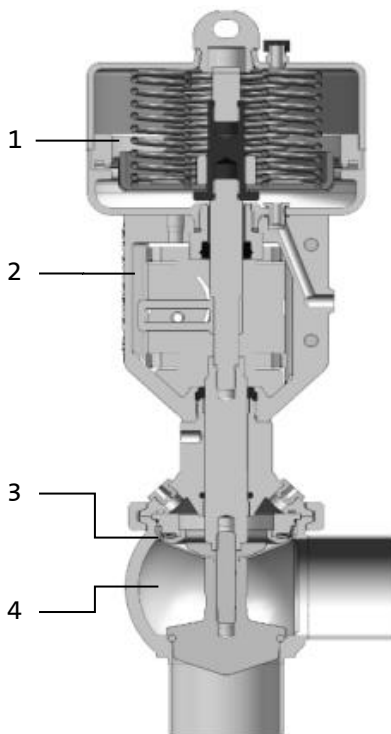
INFORMATION

The EVOGUARD E(extended)S(shelf)L(life) line meets all requirements to valve lines in hygiene class IV. It is employed for sensitive refreshment drinks without preservatives and drinks which need not be distributed in a cold chain. To adjust processes exactly and fast, reliable control valves are necessary. Ensuring a high hygienic level without employing aseptic valve technology is mandatory for numerous applications in beverage production. The ESL control valve RD was developed in a similar way to the EVOGUARD ESL seat valve SD. Therefore, EVOGUARD provides suitable components with a hygienic design for safe processes during the production of sensitive products. Furthermore, a long service life and ease of replacement are very important criteria when selecting a valve technique.

The high economic efficiency of these valves is based on lower costs as compared to aseptic valve technology as well as the high number of cycles that can be achieved.

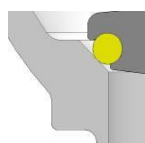
Design features of modular ESL control valves

- Valve housing without dome, designed for PN 25
- Newly developed sealing system using a stainless steel spring element to produce contact pressure at the sealing point, for a hermetical sealing of the product room against the atmosphere
- Allocation according to nominal diameter, KV value and seat diameter
- Actuator size matched to product pressure



1. Diaphragm actuator
2. Positioner
3. Sealing system
4. Housing

Seat Ø	Value		Stroke 20			Stroke 30		
	Kvs m ³ /h	Cvs USgal/min	DN25	DN40	DN50	DN65	DN80	DN100
10	0,63	0,73	x					
	1	1,16						
	1,6	1,86						
	2,5	2,9						
19	4	4,64	x	x				
	6,3	7,31						
26	10	11,6	x	x				
38	16	18,56		x	x	x		
	25	29						
50	32	37,12			x	x	x	
	40	46,4						
66	63	73,1				x	x	
81	100	116					x	x
100	160	185,6						x



One-piece valve disk,
PT FE Compound seal

TECHNICAL DATA

Pressures

Product pressure	PN 87 psi (6 bar), 145 psi (10 bar) / vacuum -13.8 psi (-0.95 bar)
Housing	PN 360 psi (25 bar)
Control air pressure	min. 87 psi (6 bar) - max. 115 psi (8 bar)

Material

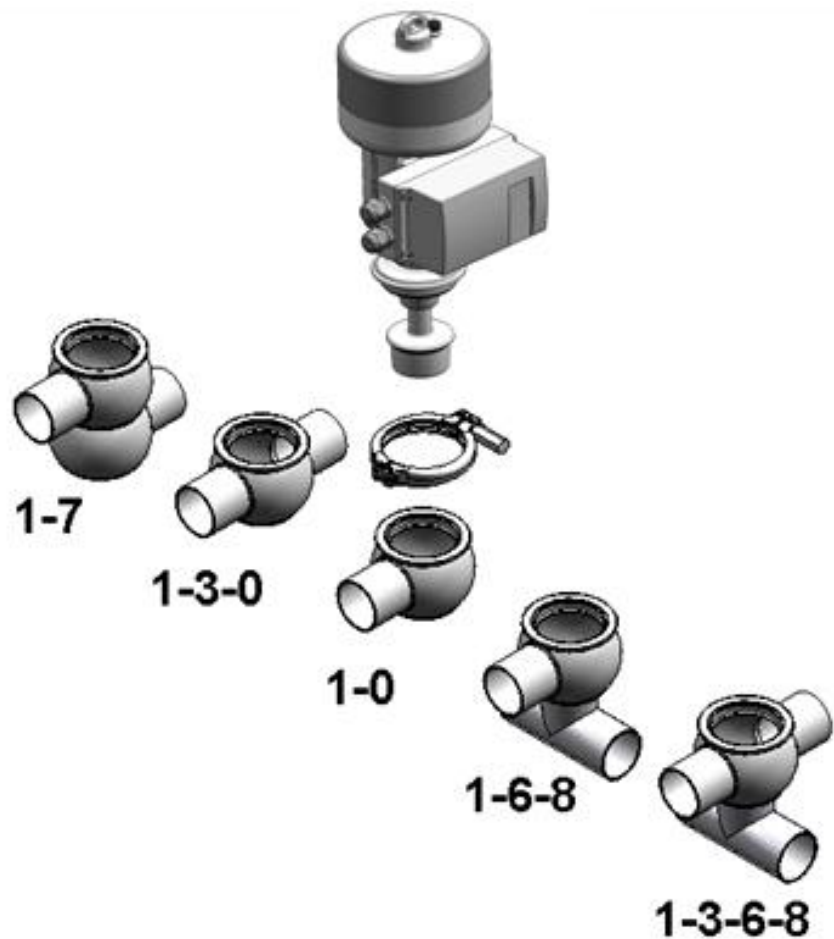
With product contact	1.4404 / AISI 316L
Without product contact	1.4301
Seal	PTFE Compound

Surface

With product contact	Ra ≤ 0.8 μ
Without product contact	Ra ≤ 1.6 μ

Designs

Housing versions

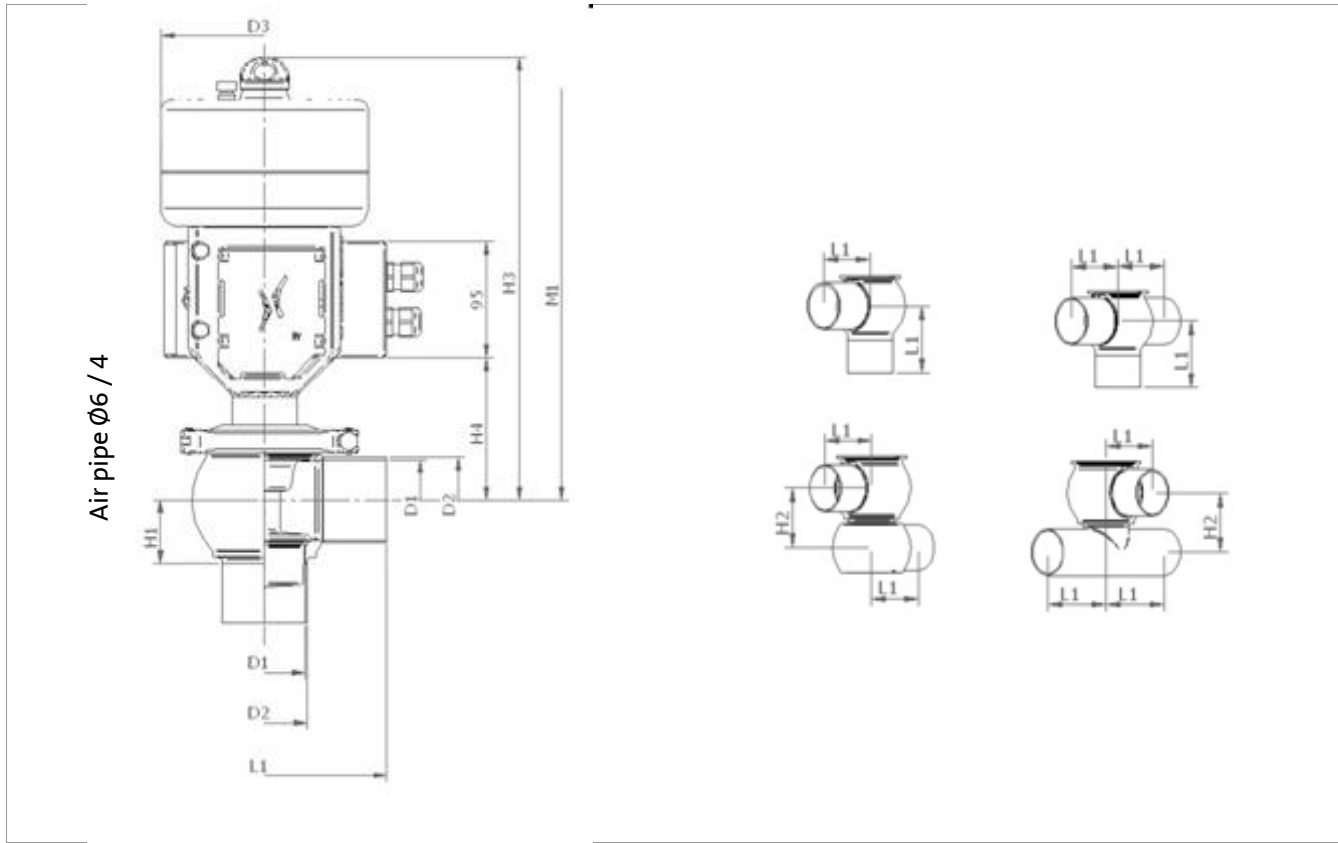


Actuator	Pneumatic diaphragm actuator NC / NO
Additional equipment	Positioner set value 4 – 20 mA

According to legal requirements
EU Pressure Equipment Directive 2014/68/EU
EU Machinery Directive 2006/42/EC
Design check by TÜV Süd



ESL CONTROL VALVE RD

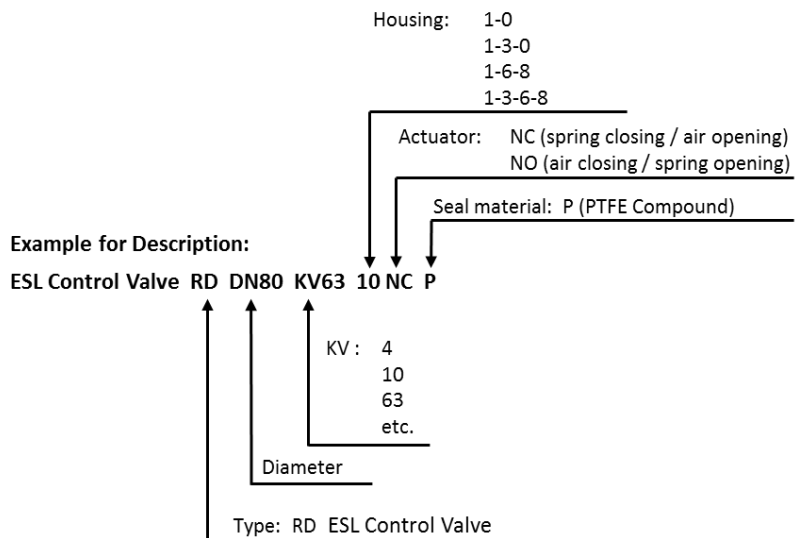


Dimensions

DN	ØD1 mm	ØD2 mm	ØD3 PN10 mm	L1 mm	H1 mm	H2 mm	H3 mm	H4 mm	M1 mm
25									
40	38	41	170	75	37	60	349	103	455
50	50	53	170	85	41	70	355	109	466
65	66	70	228	100	52	89	365	116	504
80	81	85	334	110	60	105	441	131	596
100	100	104	334	120	70	124	454	145	637
125									
150									

Weight

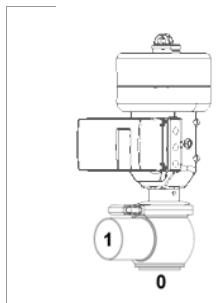
DN	1-0 PN10 kg	1-3-0 kg
25		
40	16,3	
50	16,8	
65	23,1	
80	51,5	
100	56,8	
125	74,5	
150		



ESL CONTROL VALVE RD PRODUCT PRESSURE 6 BAR

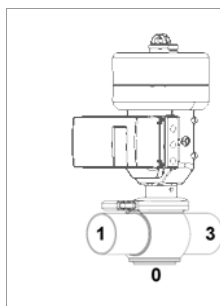
KV value max. corresponding to nominal diameter, positioner Siemens Sipart PS2

1-0
1.4404 / AISI 316L



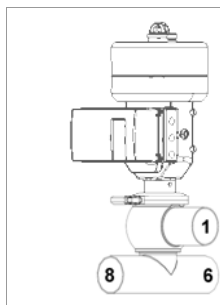
DN	- PTFE Compound	
	Material no.	Price/€
25		
40		
50		
65		
80		4.068,00 €
100		4.400,00 €
125		
150		

1-3-0
1.4404 / AISI 316L



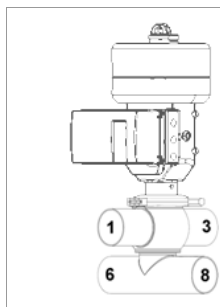
DN	- PTFE Compound	
	Material no.	Price/€
25		
40		
50		
65		
80		4.173,00 €
100		4.524,00 €
125		
150		

1-6-8
1.4404 / AISI 316L



DN	- PTFE Compound	
	Material no.	Price/€
25		
40		
50		
65		
80		4.278,00 €
100		4.648,00 €
125		
150		

1-3-6-8
1.4404 / AISI 316L



DN	- PTFE Compound	
	Material no.	Price/€
25		
40		
50		
65		
80		4.383,00 €
100		4.772,00 €
125		
150		

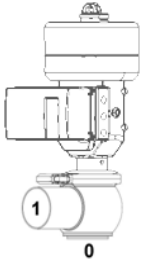
Further types available upon request

ESL CONTROL VALVE RD PRODUCT PRESSURE 10 BAR

KV value max. corresponding to nominal diameter, positioner Siemens Sipart PS2

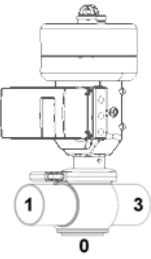
1-0
1.4404 / AISI 316L

DN	- PTFE Compound	
	Material no.	Price/€
25		
40		3.150,00 €
50		3.390,00 €
65		3.620,00 €
80		6.210,00 €
100		6.630,00 €
125		
150		



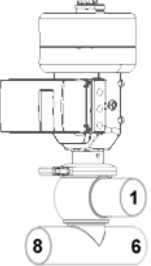
1-3-0
1.4404 / AISI 316L

DN	- PTFE Compound	
	Material no.	Price/€
25		
40		3.230,00 €
50		3.474,00 €
65		3.714,00 €
80		6.315,00 €
100		6.754,00 €
125		
150		



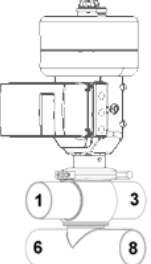
1-6-8
1.4404 / AISI 316L

DN	- PTFE Compound	
	Material no.	Price/€
25		
40		3.310,00 €
50		3.558,00 €
65		3.808,00 €
80		6.420,00 €
100		6.878,00 €
125		
150		



1-3-6-8
1.4404 / AISI 316L

DN	- PTFE Compound	
	Material no.	Price/€
25		
40		3.390,00 €
50		3.642,00 €
65		3.902,00 €
80		6.525,00 €
100		7.002,00 €
125		
150		



Further types available upon request

SPARE PARTS ESL CONTROL VALVE RD

Seal kit with product contact, up to KV 10

DN	PTFE Compound	
	Material no.	Price/€
25		
40		232,00 €
50		
65		
80		
100		
125		
150		

Seal kit with product contact, KV 16 to KV 40

DN	PTFE Compound	
	Material no.	Price/€
25		
40		232,00 €
50		232,00 €
65		277,00 €
80		331,00 €
100		
125		
150		

Seal kit with product contact, KV 63

DN	PTFE Compound	
	Material no.	Price/€
25		
40		
50		
65		277,00 €
80		331,00 €
100		382,00 €
125		
150		


Seal kit with product contact, KV 100

DN	PTFE Compound	
	Material no.	Price/€
25		
40		
50		
65		
80		331,00 €
100		382,00 €
125		
150		

Seal kit with product contact KV 160

	DN	PTFE Compound	
		Material no.	Price/€
	25		
	40		
	50		
	65		
	80		
	100		382,00 €
	125		
	150		

Diaphragm

	DN	PTFE Compound	
		Material no.	Price/€
	25		
	40	0904575431	180,00 €
	50	0904575431	180,00 €
	65		230,00 €
	80	0904608047	276,00 €
	100		354,00 €
	125		
	150		

Diaphragm for diaphragm actuator

	TYPE	NBR	
		Material no.	Price/€
	813		
	MF I	0904201142	222,00 €
	MF III	0904201144	449,00 €

Sealing and bearing set for diaphragm actuator

	TYPE	NBR	
		Material no.	Price/€
	813		
	MF I	0904202629	141,00 €
	MF III	0904202289	237,00 €

Positioner without mounting parts

	DN		
		Material no.	Price/€
	Siemens Sipart PS2	0902798583	915,00 €
	Siemens Sipart PS 2 HART	0903626760	1.976,00 €

13 Aseptic Seat Valve SA



INFORMATION

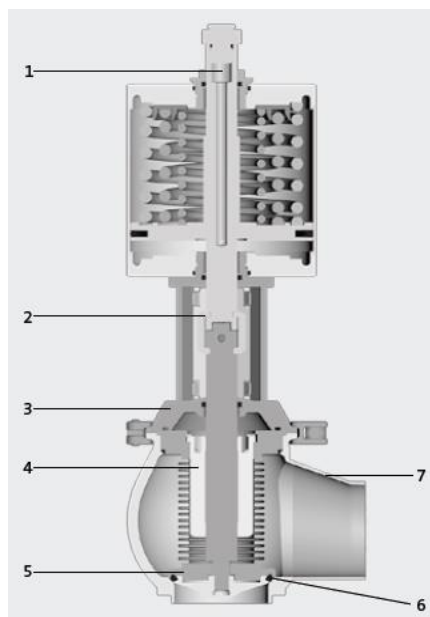
Microbiologically sensitive products need to be treated with special care. The highest safety standards along the entire product handling chain are needed to guarantee that quality and shelf life will leave no grounds for complaint.

With its new modular system of parts for aseptic valves within the EVOGUARD valve range, KRONES now offers the right components for all applications within the aseptic process. The new concept underlying these aseptic valves is based on extensive tests, which were carried out under production conditions in the valve technology field, and on the use of modern methods of analysis and engineering design. With this data in particular it has been possible to realise optimised details of design on all components. For you this means not only top performance from the individual components but also coherent concepts for your process as a whole.

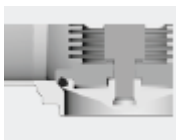
The EVOGUARD aseptic range takes account of all the requirements imposed on aseptic processes and safe product handling. Both the aseptic seat valves and the aseptic double seat valves offer new important details at key points of valve design in order to ensure a high level of production safety.

Design features of modular aseptic seat valves

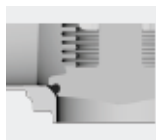
- The housing withstands very high loads from operating pressures of PN25. The configuration and optimised geometry in accordance with EHEDG specifications ensure high reliability in the production process.
- The metal bellows provides for hermetic sealing of the product space from the atmosphere. Its multilayer design and optimised guidance by means of a support element result in prolonged service life and prevent the bellows from being overloaded during dismantling.
- The valve disk has a flow-efficient design. It is possible to choose between a single-piece version with a seal made of PTFE compound and a two-piece threaded version with a seal made of EPDM/FDA or FKM HF.
- Actuator size matched to product pressure



- 1 Internal airflow on version with control head
- 2 Valve shaft connection with rotational decoupling
- 3 Connection for leakage discharge
- 4 Support element
- 5 Valve disk
- 6 Metal stop
- 7 Optimised single-piece housing



Two-piece valve disk,
threaded,
EPDM/FDA
or FKM HF seal



One-piece
valve disk,
PTFE
Compound seal

TECHNICAL DATA

Pressures

Product pressure	PN 87 psi (6 bar), 145 psi (10 bar) / vacuum -13.8 psi (-0.95 bar)
Housing	PN 360 psi (25 bar)
Control air pressure	min. 87 psi (6 bar) - max. 115 psi (8 bar)

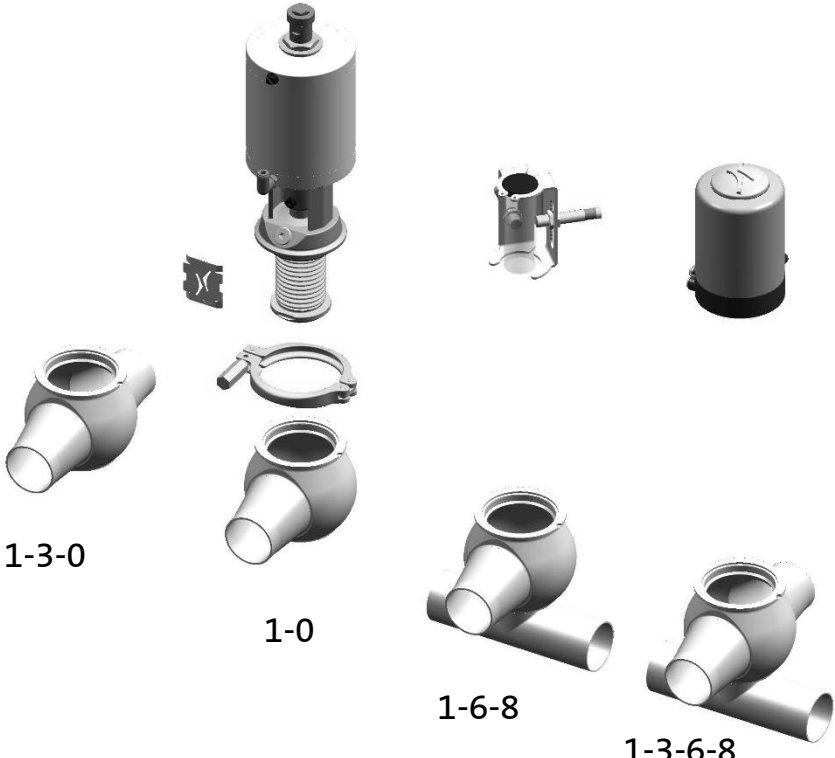
Material

With product contact	1.4404 / AISI 316L
Without product contact	1.4301
Seal	EPDM / FDA, FKM HF PTFE Compound

Surface

With product contact	Ra ≤ 0.8 μ
Without product contact	Ra ≤ 1.6 μ

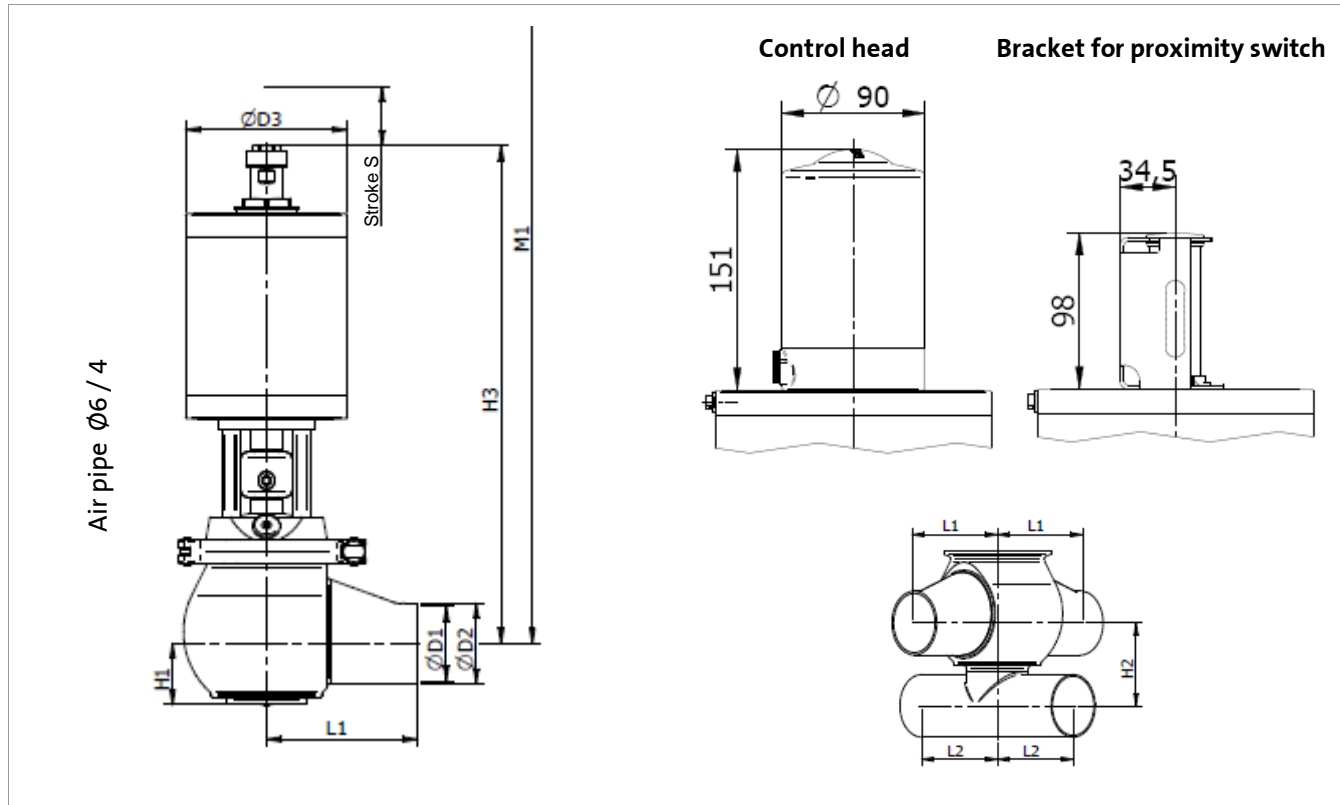
Designs

Housing versions	 <p>1-3-0</p> <p>1-0</p> <p>1-6-8</p> <p>1-3-6-8</p>
Actuator	Pneumatic actuator NC / NO / AA
Additional equipment	Control head Proximity switch M12x1

According to legal requirements
EU Pressure Equipment Directive 2014/68/EU
EU Machinery Directive 2006/42/EC
Design check by TÜV Süd



ASEPTIC SEAT VALVE SA



Dimensions

DN	ØD1 mm	ØD2 mm	ØD3 PN 6 mm	ØD3 PN 10 mm	L1 mm	L2 mm	H1 mm	H2 mm	H3 PN 6 mm	H3 PN10 mm	M1 mm	Stroke mm
25	26	29		89	70	90	25	42	324	324	395	7
40	38	41		108	90	90	39	62	329	329	420	9
50	50	53		108	100	90	41	70	335	335	445	15
65	66	70	108	133	100	125	52	89,5	361	361	485	18
80	81	85	133	173	125	125	60	105	373	444	595	22
100	100	104	173	216	155	125	70	124,5	459	467	640	28
125	125	129	216	216	175	150	82	149	480	690	895	33
150												

Weight

DN	1-0 PN 6 kg	1-0 PN10 kg
25		5,6
40		8,7
50		8,9
65	11,2	13,6
80	16,7	24,8
100	30,6	41,8
125	50,1	66,5
150		

Actuator: NC (spring closing / air opening)
NO (air closing / spring opening)
AA (air opening / air closing)
MA (manual)

Seal material: E (EPDM)
F (FKM HF)
P (PTFE Compound)

Example for Description :

Aseptic Seat Valve SA DN80 130 NC E

Housing: 1-0
1-3-0
1-6-8
1-3-6-8

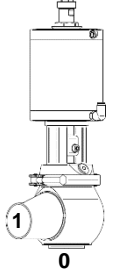
Diameter

Type: SA Aseptic Seat Valve

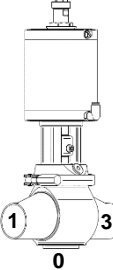
ASEPTIC SEAT VALVE SA NC PRODUCT PRESSURE 6 BAR

Including switch mount for proximity switch

1-0
1.4404 / AISI 316L

	DN	- EPDM		- FKM HF		- PTFE Compound	
		Material no.	Price/€	Material no.	Price/€	Material no.	Price/€
	25						
	40						
	50						
	65		1.593,00 €		1.671,00 €	0903022733	1.593,00 €
	80		2.689,00 €		2.781,00 €	0903531637	2.689,00 €
	100		3.097,00 €		3.209,00 €	0903759472	3.097,00 €
	125	0902882863	6.960,00 €		7.138,00 €	0903126045	6.960,00 €
	150		7.897,00 €		8.086,00 €		7.897,00 €

1-3-0
1.4404 / AISI 316L

	DN	- EPDM		- FKM HF		- PTFE Compound	
		Material no.	Price/€	Material no.	Price/€	Material no.	Price/€
	25						
	40						
	50						
	65	0903022797	1.707,00 €		1.785,00 €	0903022735	1.707,00 €
	80		2.814,00 €		2.906,00 €	0903991054	2.814,00 €
	100		3.241,00 €		3.353,00 €	0904627210	3.241,00 €
	125		7.184,00 €		7.362,00 €	0902882869	7.184,00 €
	150		8.197,00 €		8.386,00 €		8.197,00 €

1-6-8
1.4404 / AISI 316L

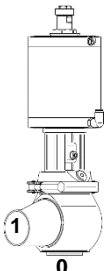
	DN	- EPDM		- FKM HF		- PTFE Compound	
		Material no.	Price/€	Material no.	Price/€	Material no.	Price/€
	25						
	40						
	50						
	65		1.781,00 €		1.859,00 €		1.781,00 €
	80		2.899,00 €		2.991,00 €		2.899,00 €
	100		3.345,00 €		3.457,00 €		3.345,00 €
	125		7.240,00 €		7.418,00 €		7.240,00 €
	150		8.247,00 €		8.436,00 €		8.247,00 €

1-3-6-8
1.4404 / AISI 316L

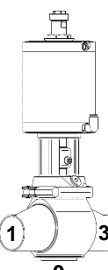
	DN	- EPDM		- FKM HF		- PTFE Compound	
		Material no.	Price/€	Material no.	Price/€	Material no.	Price/€
	25						
	40						
	50						
	65		1.895,00 €		1.973,00 €		1.895,00 €
	80		3.024,00 €		3.116,00 €		3.024,00 €
	100		3.489,00 €		3.601,00 €		3.489,00 €
	125		7.464,00 €		7.642,00 €		7.464,00 €
	150		8.547,00 €		8.736,00 €		8.547,00 €

ASEPTIC SEAT VALVE SA NC PRODUCT PRESSURE 10 BAR
Including switch mount for proximity switch

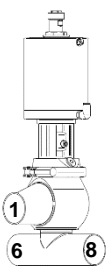
1-0
1.4404 / AISI 316L

	DN	- EPDM		- FKM HF		- PTFE Compound	
		Material no.	Price/€	Material no.	Price/€	Material no.	Price/€
	25	0902873327	1.297,00 €		1.355,00 €	0902875490	1.297,00 €
	40	0902879631	1.537,00 €		1.600,00 €	0902876654	1.537,00 €
	50	0902879670	1.767,00 €		1.830,00 €	0902879671	1.767,00 €
	65	0902879818	1.892,00 €		1.970,00 €	0902879825	1.892,00 €
	80	0902879806	3.208,00 €		3.300,00 €	0902880291	3.208,00 €
	100	0902882056	3.697,00 €		3.809,00 €	0902882151	3.697,00 €
	125						
	150						

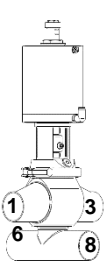
1-3-0
1.4404 / AISI 316L

	DN	- EPDM		- FKM HF		- PTFE Compound	
		Material no.	Price/€	Material no.	Price/€	Material no.	Price/€
	25		1.388,00 €		1.446,00 €	0902883003	1.388,00 €
	40		1.637,00 €		1.700,00 €	0903079720	1.637,00 €
	50		1.871,00 €		1.934,00 €	0904186716	1.871,00 €
	65		2.006,00 €	0903540387	2.084,00 €	0902884513	2.006,00 €
	80		3.333,00 €		3.425,00 €	0904628144	3.333,00 €
	100		3.841,00 €		3.953,00 €	0902886789	3.841,00 €
	125						
	150						

1-6-8
1.4404 / AISI 316L

	DN	- EPDM		- FKM HF		- PTFE Compound	
		Material no.	Price/€	Material no.	Price/€	Material no.	Price/€
	25		1.439,00 €		1.497,00 €		1.439,00 €
	40		1.697,00 €		1.760,00 €		1.697,00 €
	50		1.935,00 €		1.998,00 €		1.935,00 €
	65		2.080,00 €		2.158,00 €		2.080,00 €
	80		3.418,00 €		3.510,00 €		3.418,00 €
	100		3.945,00 €		4.057,00 €		3.945,00 €
	125						
	150						

1-3-6-8
1.4404 / AISI 316L


	DN	- EPDM		- FKM HF		- PTFE Compound	
		Material no.	Price/€	Material no.	Price/€	Material no.	Price/€
	25		1.530,00 €		1.588,00 €		1.530,00 €
	40		1.797,00 €		1.860,00 €		1.797,00 €
	50		2.039,00 €		2.102,00 €		2.039,00 €
	65		2.194,00 €		2.272,00 €		2.194,00 €
	80		3.543,00 €		3.635,00 €		3.543,00 €
	100		4.089,00 €		4.201,00 €		4.089,00 €
	125						
	150						

SPARE PARTS ASEPTIC SEAT VALVE SA


Seal kit with product contact

	DN	EPDM		FKM HF		PTFE Compound	
		Material no.	Price/€	Material no.	Price/€	Material no.	Price/€
	25	0903424829	49,00 €	0903953200	61,00 €	0903424850	49,00 €
	40	0903424853	51,00 €	0903424851	67,00 €	0903424852	51,00 €
	50	0903424853	51,00 €	0903424851	67,00 €	0903424852	51,00 €
	65	0903424855	57,00 €	0903953201	75,00 €	0903424856	57,00 €
	80	0903424857	65,00 €	0903953202	85,00 €	0903424858	65,00 €
	100	0903424859	74,00 €	0903953203	100,00 €	0903424860	74,00 €
	125	0903424861	78,00 €	0903953204	116,00 €	0903424862	78,00 €
	150						

Bellow, elastomer seal

	DN	Material no.	Price/€
		25	0902567648
	40	0902567649	299,00 €
	50	0902567780	332,00 €
	65	0902567781	384,00 €
	80	0902567782	460,00 €
	100	0902567783	590,00 €
	125	0902567784	844,00 €
	150		

Bellow, PTFE Compound seal shrunk-on

	DN	Material no.	Price/€
		25	0903420547
	40	0903420548	464,00 €
	50	0903420549	493,00 €
	65	0903420570	553,00 €
	80	0903420571	662,00 €
	100	0903420572	764,00 €
	125	0903420582	924,00 €
	150		

Seal kit, actuator

	DN	Material no.	Price/€
		25	0902517095
	40		
	50		
	65		
	80		
	100		
	125		
	150		

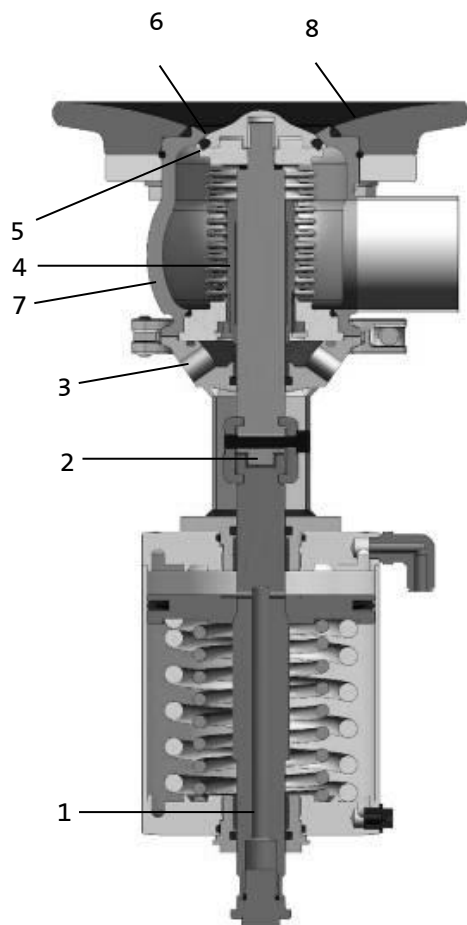
Bearing set

	DN		
		Material no.	Price/€
	25	0902517063	29,00 €
	40	0902517066	33,00 €
	50	0902517066	33,00 €
	65	0902517067	39,00 €
	80	0902517069	48,00 €
	100	0902517092	57,00 €
	125	0902517093	77,00 €
	150	0902517094	178,00 €

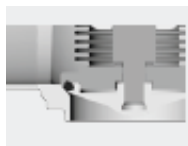
ASEPTIC TANK OUTLET VALVE STA

Design features of modular aseptic tank outlet valves

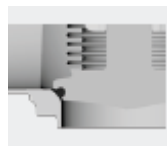
- Flat to tank bottom – no sump
- One-piece housing continuously adjustable over 360°
- Actuator size matched to product pressure
- Rotational decoupling on linkage between valve shaft and drive for torsion-free lift motion of the valve disk
- Seal geometry optimized for all applicable process conditions
- The housing withstands very high loads from operating pressures of PN25. The configuration and optimised geometry in accordance with EHEDG specifications ensure high reliability in the production process.
- The metal bellows provides for hermetic sealing of the product space from the atmosphere. Its multilayer design and optimised guidance by means of a support element result in prolonged service life and prevent the bellows from being overloaded during dismantling.
- The valve disk has a flow-efficient design. It is possible to choose between a single-piece version with a seal made of PTFE compound and a two-piece threaded version with a seal made of EPDM/FDA or FKM HF.



- 1 Internal airflow on version with control head
- 2 Valve shaft connection with rotational decoupling
- 3 Connection for leakage discharge
- 4 Support element
- 5 Sealing system
- 6 Metal stop
- 7 Optimised single-piece housing
- 8 Flat to tank bottom

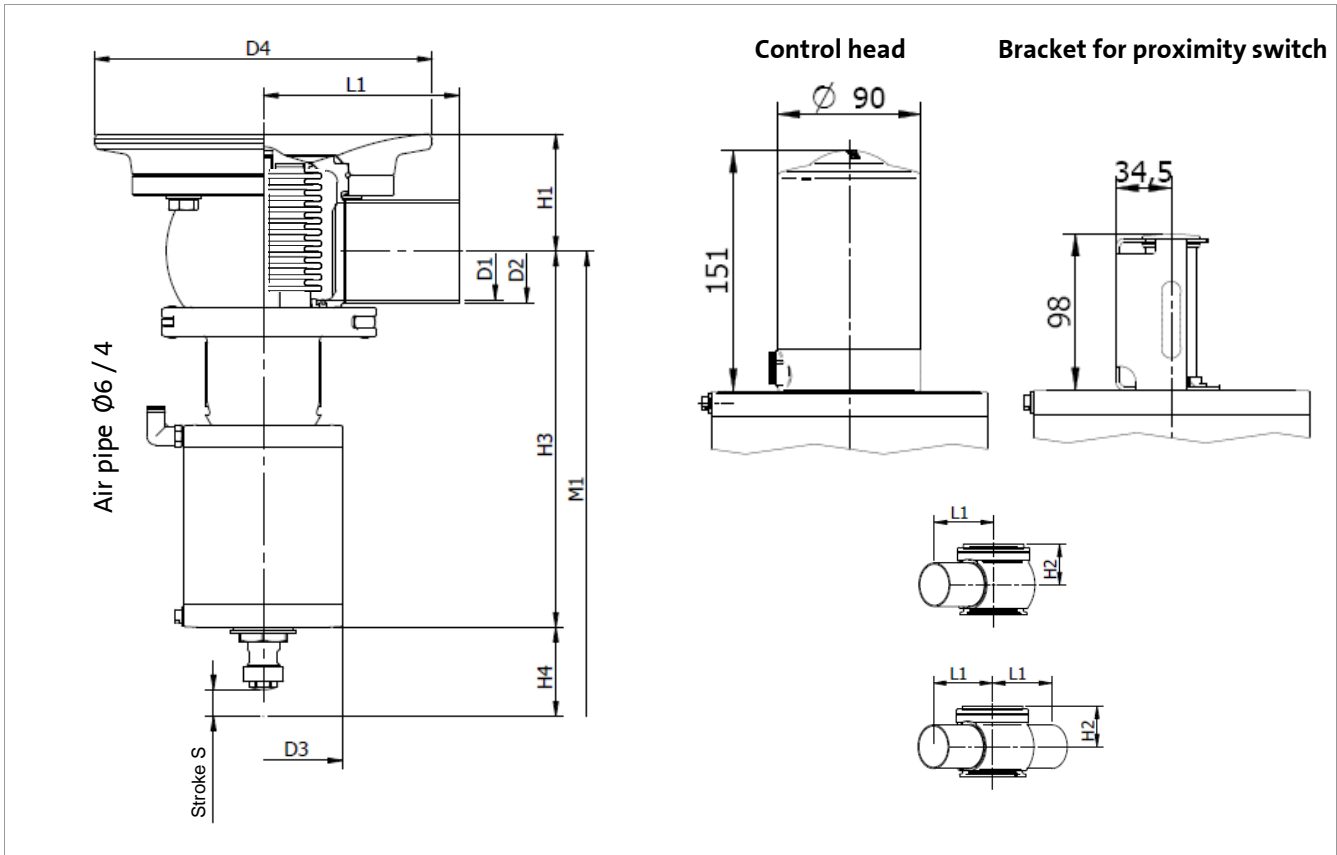


Two-piece valve disk,
threaded,
EPDM/FDA
or FKM HF seal



One-piece
valve disk,
PTFE
Compound seal

ASEPTIC TANK OUTLET VALVE STA



Dimensions

DN	ØD1 mm	ØD2 mm	ØD3 mm	ØD4 mm	L1 mm	H1 mm	H2 mm	H3 mm	M1 mm	Stroke mm
25	26	29	89		92,5			284	350	9
40	38	41	108	190	91			284	400	12
50	50	53	108	190	93	69,5	58,5	284	400	18
65	66	70	108	230	133,5	80	65	293	440	20
80	81	85	133	250	134			314	450	23
100	100	104	173	280	137,5			397	580	30
125	125	129	216					422	620	36
150	150	154	216					637	850	42

Weight

DN	1-0 kg	1-3-0 kg	1-6-8 kg	1-3-6-8 kg
25	5,0			
40	8,2			
50	8,3			
65	12,8			
80	25,0			
100	26,8			
125	42,5			
150	51,8			

Actuator: NC (spring closing / air opening)
NO (air closing / spring opening)
AA (air opening / air closing)
MA (manual)

Seal material: E (EPDM)
F (FKM HF)
P (PTFE Compound)

Example for Description :

Aseptic Tank Outlet Valve STA DN80 130 NC E

Housing: 1-0
1-3-0

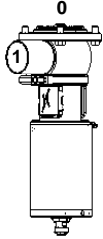
Diameter

Type: STA Aseptic Tank Outlet Valve

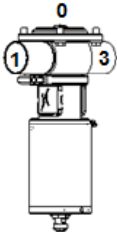
ASEPTIC TANK OUTLET VALVE STA NC PRODUCT PRESSURE 6 BAR

Including switch mount for proximity switch


1-0
1.4404 / AISI 316L

	DN	- EPDM		- FKM HF		- PTFE Compound	
		Material no.	Price/€	Material no.	Price/€	Material no.	Price/€
	25		1.485,00 €		1.543,00 €		1.485,00 €
	40		1.547,00 €		1.610,00 €		1.547,00 €
	50		1.740,00 €		1.803,00 €		1.740,00 €
	65		1.943,00 €		2.021,00 €		1.943,00 €
	80		3.039,00 €		3.131,00 €		3.039,00 €
	100		3.447,00 €		3.559,00 €		3.447,00 €
	125						
	150						

1-3-0
1.4404 / AISI 316L

	DN	- EPDM		- FKM HF		- PTFE Compound	
		Material no.	Price/€	Material no.	Price/€	Material no.	Price/€
	25		1.576,00 €		1.634,00 €		1.576,00 €
	40		1.647,00 €		1.710,00 €	0902888347	1.647,00 €
	50		1.844,00 €		1.907,00 €		1.844,00 €
	65		2.057,00 €		2.135,00 €		2.057,00 €
	80		3.164,00 €		3.256,00 €		3.164,00 €
	100		3.591,00 €		3.703,00 €		3.591,00 €
	125						
	150						

Tank flange
1.4404 / AISI 316L


	DN	Material no.	Price/€
		25	0903243897
40	0902888419	146,00 €	
50	0902888419	146,00 €	
65	0902944701	182,00 €	
80	0902620094	220,00 €	
100	0902620095	255,00 €	
125	0903995180	898,00 €	
150		1.498,00 €	

SPARE PARTS ASEPTIC TANK OUTLET VALVE STA


Seal kit with product contact

	DN	EPDM		FKM HF		PTFE Compound	
		Material no.	Price/€	Material no.	Price/€	Material no.	Price/€
	25		59,00 €		71,00 €		59,00 €
	40		61,00 €		77,00 €		61,00 €
	50		61,00 €		77,00 €		61,00 €
	65		71,00 €		89,00 €		71,00 €
	80		82,00 €		102,00 €		82,00 €
	100		94,00 €		120,00 €		94,00 €
	125		118,00 €		156,00 €		118,00 €
	150						

Bellow, elastomer seal

	DN		
		Material no.	Price/€
	25	0902567648	263,00 €
	40	0902567649	299,00 €
	50	0902567780	332,00 €
	65	0902567781	384,00 €
	80	0902567782	460,00 €
	100	0902567783	590,00 €
	125	0902567784	844,00 €
	150		

Bellow, PTFE Compound seal shrunk-on

	DN		
		Material no.	Price/€
	25	0903420547	392,00 €
	40	0903420548	464,00 €
	50	0903420549	493,00 €
	65	0903420570	553,00 €
	80	0903420571	662,00 €
	100	0903420572	764,00 €
	125	0903420582	924,00 €
	150		

Seal kit, actuator

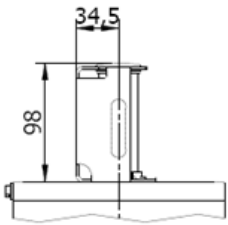
	DN		
		Material no.	Price/€
	25	0902517095	8,80 €
	40		
	50		
	65		
	80		
	100		
	125		
	150		

Bearing set

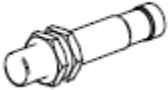
	DN	Material no.	Price/€
	25	0902517063	29,00 €
40	0902517066	33,00 €	
50	0902517066	33,00 €	
65	0902517067	39,00 €	
80	0902517069	48,00 €	
100	0902517092	57,00 €	
125	0902517093	77,00 €	
150	0902517094	178,00 €	

ADDITIONAL EQUIPMENT ASEPTIC SEAT VALVE SA

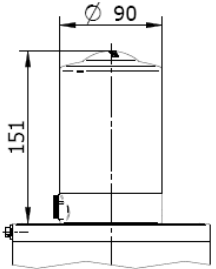
Proximity switch mount M12x1

	DN	Material no.	Price/€
	25	0903370971	118,00 €
	40		
	50		
	65		
	80		
	100		
	125		
	150		

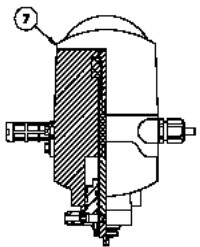
Proximity switch M12x1

	DN	Material no.	Price/€
	25	0901443696	21,20 €
	40		
	50		
	65		
	80		
	100		
	125		
	150		

Control head, 2 proximity switches

	DN	24 V DC 2 proximity switches 1 solenoid valves		24 V DC ASI 2 proximity switches 1 solenoid valves	
		Material no.	Price/€	Material no.	Price/€
	25		294,00 €		384,00 €
	40				
	50				
	65				
	80				
	100				
	125				
150					

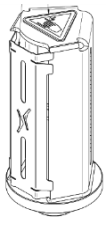
Control head, IO link

	DN	IO link Port class A (4-pole) 1 solenoid valve		IO link Port class B (5-pole) 1 solenoid valve	
		Material no.	Price/€	Material no.	Price/€
	25		799,00 €		870,00 €
	40				
	50				
	65				
	80				
	100				
	125				
150					

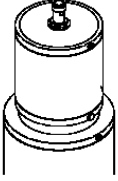
EVOGUARD

Aseptic Seat Valve SA

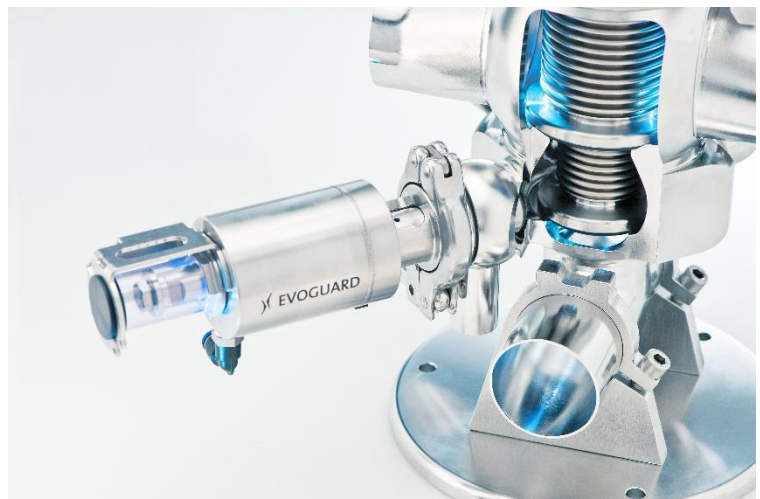
Limit of stroke, position OPEN or CLOSE

	DN	Material no.	Price/€
	25	0903887569	247,00 €
	40		
	50		
	65		
	80		
	100		
	125		
	150		

Damping cylinder

	DN	Material no.	Price/€
	25	0902823833	890,00 €
	40		
	50		
	65		
	80		
	100		
	125		
	150		

14 Aseptic Double Seat Valve MA



INFORMATION

Microbiologically sensitive products need to be treated with special care. The highest safety standards along the entire product handling chain are needed to guarantee that quality and shelf life will leave no grounds for complaint.

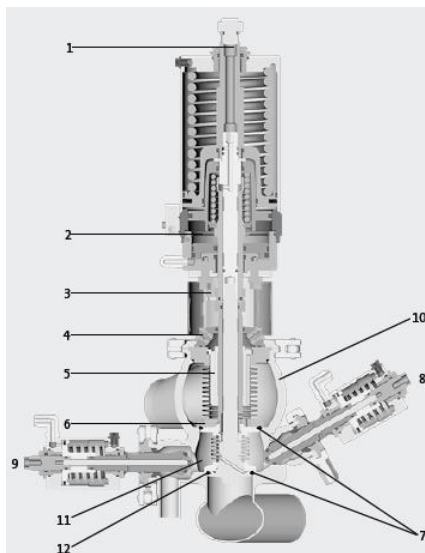
In addition to the use of seat valves, the integration of aseptic double seat valves based on the same design principle makes it possible to control numerous product and media flows not only under optimum aseptic conditions but also fully automatically and in minimum space.

The aseptic double seat valve is the nodal point for connections between individual pipe lines.

The new concept underlying these aseptic valves is based on extensive tests, which were carried out under production conditions in the valve technology field, and on the use of modern methods of analysis and engineering design. With this data in particular it has been possible to realise optimised details of design on all components. For you this means not only top performance from the individual components but also coherent concepts for your process as a whole.

Design features of modular aseptic double seat valves

- The housing withstands very high loads from operating pressures of PN25. The configuration and optimised geometry in accordance with EHEDG specifications ensure high reliability in the production process.
- The metal bellows provides for hermetic sealing of the product space from the atmosphere.
- Using independently working valve disks, each with its own seal, it is possible to realise the safe separation of hostile products. The safety chamber between the valve disks is connected via the flushing valves.
- Alternatively, a single-piece valve disk made of PTFE compound or a two-piece valve disk, threaded, with seal made of EPDM / FDA or FKM HF is available.
- Cleaning and/or sterilisation of the safety chamber is performed via the flushing valves or by lifting the upper or lower valve disk.
- Free cross-sections in the valve housing enable gentle handling of the product without pressure loss, resulting in lower energy consumption.
- The actuator's integrated lifting functions permit fast cycle times and low air consumption.
- With the option for using a temperature sensor it is possible to monitor the temperature directly in the housing.



- 1 Internal airflow on version with control head
- 2 Actuator with integrated lifting function
- 3 Valve shaft connection with rotational decoupling
- 4 Connection for leakage discharge
- 5 Support element
- 6 Upper valve disk
- 7 Metal stop
- 8 Flushing valve NC
- 9 Flushing valve NO
- 10 Optimised single-piece housing
- 11 Safety chamber
- 12 Lower valve disk



Threaded valve disk,
EPDM/FDA
or FKM HF seal



One-piece valve disk,
PTFE Compound seal

TECHNICAL DATA

Pressures

Product pressure	PN 87 psi (6 bar), 145 psi (10 bar) / vacuum -13.8 psi (-0.95 bar)
CIP / SIP max.	50 psi (3.5 bar) over flushing valve
Cleaning pressure max.	73 psi (5 bar) when lifting valve disk
Housing	PN 360 psi (25 bar)
Control air pressure	min. 87 psi (6 bar) - max. 115 psi (8 bar)

Material

With product contact	1.4404 / AISI 316L
Without product contact	1.4301
Seal	EPDM / FDA, FKM HF PTFE Compound

Surface

With product contact	Ra ≤ 0.8 μ
Without product contact	Ra ≤ 1.6 μ

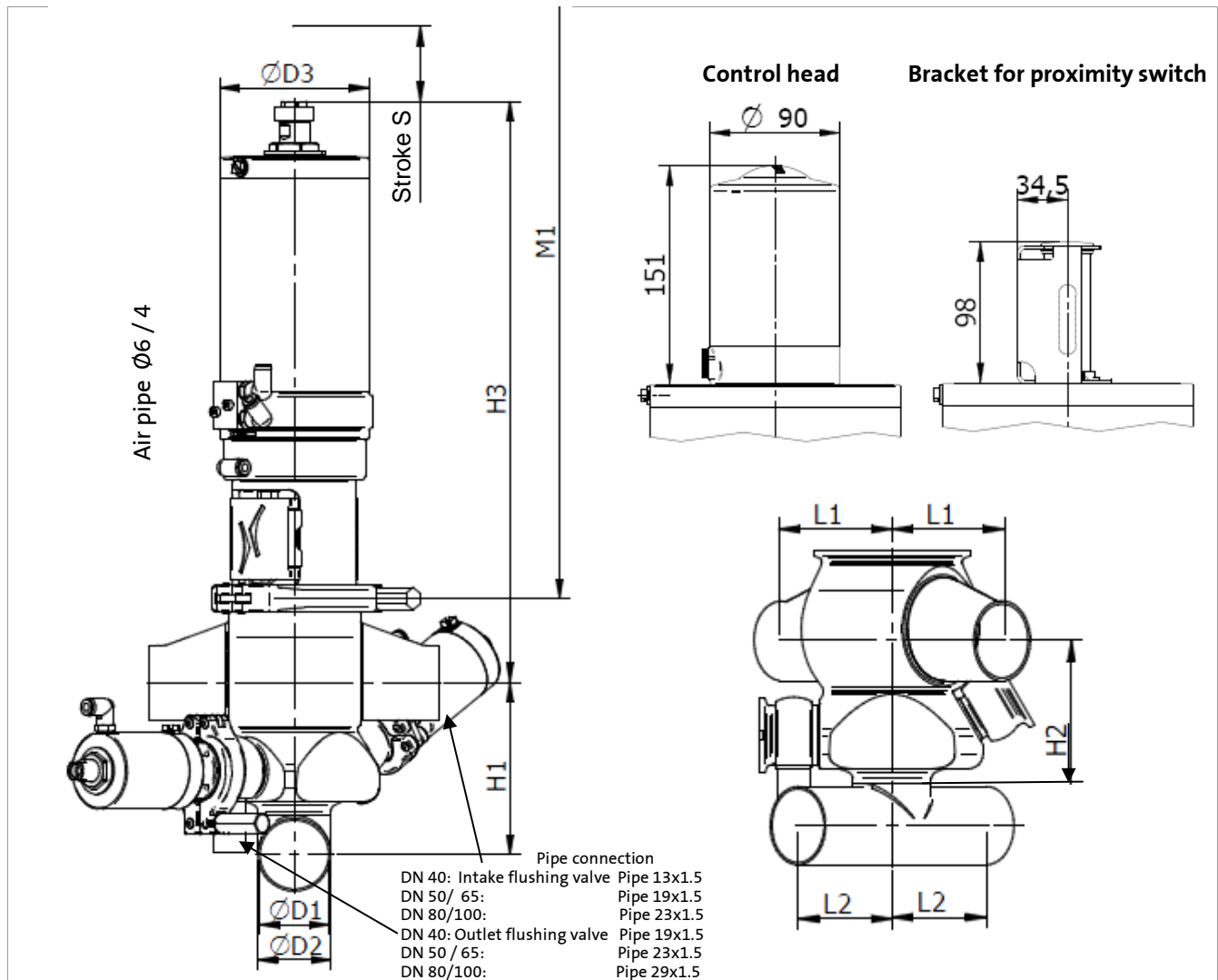
Designs

<p>Housing versions</p>	
Actuator	Pneumatic actuator NC
Additional equipment	Control head Proximity switch M12x1

According to legal requirements
 EU Pressure Equipment Directive 2014/68/EU
 EU Machinery Directive 2006/42/EC
 Design check by TÜV Süd



ASEPTIC DOUBLE SEAT VALVE MA NC

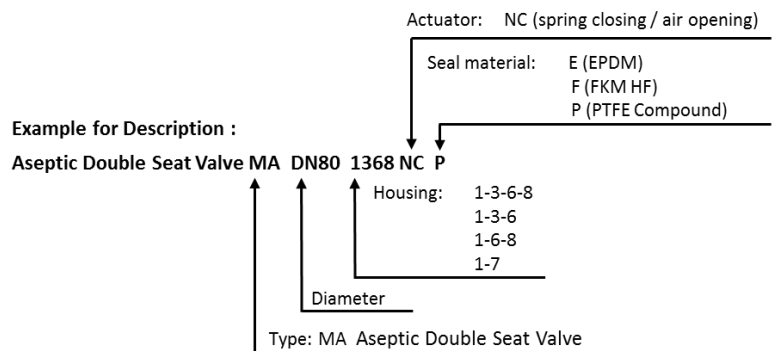


Dimensions

DN	ØD1 mm	ØD2 mm	ØD3 PN 6 mm	ØD3 PN10 mm	L1 mm	L2 mm	H1 mm	H2 mm	H3 PN 6 mm	H3 PN10 mm	M1 PN 6 mm	M1 PN 10 mm	Stroke mm
25													
40	38	41	89	108	90	90	107	82	366	395	490	525	11,5
50	50	53	108	133	105	90	125	96	423	450	575	605	15,5
65	66	70	133	173	110	125	143	105	458	525	630	695	19
80	81	85	173	216	135	165	167	122	545	552	760	765	23,5
100	100	104	216	216	160	180	186	131	595	805	830	1040	27,5
125													
150													

Weight

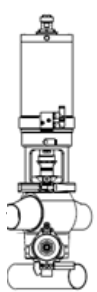
DN	1-3-6-8 PN 6 kg	1-3-6-8 PN10 kg
25		
40	14,6	17,2
50	20,5	25,0
65	29	40,0
80	50,9	66,6
100	73,9	90,2
125		
150		



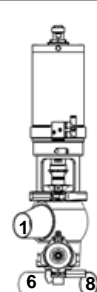
ASEPTIC DOUBLE SEAT VALVE MA NC PRODUCT PRESSURE 6 BAR

Including switch mount for proximity switch

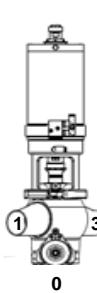
1-3-6-8
1.4404 / AISI 316L

	DN	- EPDM		- FKM HF		- PTFE Compound	
		Material no.	Price/€	Material no.	Price/€	Material no.	Price/€
25							
40			4.667,00 €		4.841,00 €	0903377163	4.667,00 €
50			4.916,00 €		5.090,00 €	0903063397	4.916,00 €
65			5.346,00 €		5.556,00 €	0902942332	5.346,00 €
80			6.117,00 €		6.367,00 €	0903123092	6.117,00 €
100			8.718,00 €		9.034,00 €	0903386996	8.718,00 €
125			13.500,00 €		14.100,00 €		13.500,00 €
150							

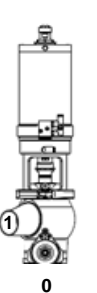
1-6-8
1.4404 / AISI 316L

	DN	- EPDM		- FKM HF		- PTFE Compound	
		Material no.	Price/€	Material no.	Price/€	Material no.	Price/€
25							
40			4.567,00 €		4.741,00 €		4.567,00 €
50			4.812,00 €		4.986,00 €		4.812,00 €
65			5.231,00 €		5.441,00 €		5.231,00 €
80			5.992,00 €		6.242,00 €		5.992,00 €
100			8.574,00 €		8.890,00 €		8.574,00 €
125			13.302,00 €		13.902,00 €		13.302,00 €
150							

1-3-0
1.4404 / AISI 316L

	DN	- EPDM		- FKM HF		- PTFE Compound	
		Material no.	Price/€	Material no.	Price/€	Material no.	Price/€
25							
40			4.576,00 €		4.741,00 €	0903399374	4.576,00 €
50			4.812,00 €		4.986,00 €		4.812,00 €
65			5.231,00 €		5.441,00 €	0902865615	5.231,00 €
80			5.992,00 €		6.242,00 €	0903123314	5.992,00 €
100			8.574,00 €		8.890,00 €		8.574,00 €
125			13.302,00 €		13.902,00 €		13.302,00 €
150							

1-0
1.4404 / AISI 316L

	DN	- EPDM		- FKM HF		- PTFE Compound	
		Material no.	Price/€	Material no.	Price/€	Material no.	Price/€
25							
40			4.467,00 €		4.641,00 €	0903274529	4.467,00 €
50			4.708,00 €		4.882,00 €		4.708,00 €
65			5.116,00 €		5.326,00 €	0903023629	5.116,00 €
80			5.867,00 €		6.117,00 €		5.867,00 €
100			8.430,00 €		8.746,00 €		8.430,00 €
125			13.104,00 €		13.704,00 €		13.104,00 €
150							

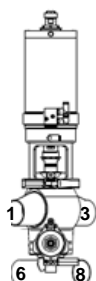
ASEPTIC DOUBLE SEAT VALVE MA NC PRODUCT PRESSURE 10 BAR

Including switch mount for proximity switch

1-3-6-8

1.4404 / AISI 316L

DN	- EPDM		- FKM HF		- PTFE Compound	
	Material no.	Price/€	Material no.	Price/€	Material no.	Price/€
25						
40		6.032,00 €		6.206,00 €		6.032,00 €
50		6.356,00 €		6.530,00 €	0903897110	6.356,00 €
65		6.954,00 €		7.164,00 €	0903252800	6.954,00 €
80		7.917,00 €		8.167,00 €	0903491976	7.917,00 €
100		11.298,00 €		11.614,00 €	0903564311	11.298,00 €
125						
150						



1-6-8

1.4404 / AISI 316L

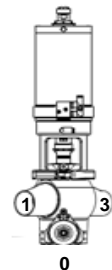
DN	- EPDM		- FKM HF		- PTFE Compound	
	Material no.	Price/€	Material no.	Price/€	Material no.	Price/€
25						
40		5.932,00 €		6.106,00 €		5.932,00 €
50		6.252,00 €		6.426,00 €		6.252,00 €
65		6.839,00 €		7.049,00 €		6.839,00 €
80		7.792,00 €		8.042,00 €		7.792,00 €
100		11.154,00 €		11.470,00 €		11.154,00 €
125						
150						



1-3-0

1.4404 / AISI 316L

DN	- EPDM		- FKM HF		- PTFE Compound	
	Material no.	Price/€	Material no.	Price/€	Material no.	Price/€
25						
40		5.932,00 €		6.106,00 €	0903564373	5.932,00 €
50		6.252,00 €		6.426,00 €		6.252,00 €
65		6.839,00 €		7.049,00 €		6.839,00 €
80		7.792,00 €		8.042,00 €		7.792,00 €
100		11.154,00 €		11.470,00 €		11.154,00 €
125						
150						



1-0

1.4404 / AISI 316L

DN	- EPDM		- FKM HF		- PTFE Compound	
	Material no.	Price/€	Material no.	Price/€	Material no.	Price/€
25						
40		5.832,00 €		6.006,00 €	0904136090	5.832,00 €
50		6.148,00 €		6.322,00 €		6.148,00 €
65		6.724,00 €		6.934,00 €	0905304901	6.724,00 €
80		7.667,00 €		7.917,00 €		7.667,00 €
100		11.010,00 €		11.326,00 €		11.010,00 €
125						
150						



SPARE PARTS ASEPTIC DOUBLE SEAT VALVE MA

Seal kit main valve, with product contact

DN	EPDM		FKM HF		PTFE Compound	
	Material no.	Price/€	Material no.	Price/€	Material no.	Price/€
25						
40	0903063491	118,00 €			0903063577	118,00 €
50	0903063492	118,00 €			0903063578	118,00 €
65	0903063493	130,00 €			0903063579	130,00 €
80	0903063494	173,00 €			0903063610	173,00 €
100	0903063495	189,00 €			0903063611	189,00 €
125						
150						


Seal kit, intake flushing valve, with product contact

DN	EPDM		FKM HF		PTFE Compound	
	Material no.	Price/€	Material no.	Price/€	Material no.	Price/€
25						
40	0903063930	59,00 €				
50	0903063931	66,00 €				
65	0903063931	66,00 €				
80	0903063932	69,00 €				
100	0903063932	69,00 €				
125						
150						

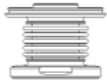
Seal kit, outlet flushing valve, with product contact

DN	EPDM		FKM HF		PTFE Compound	
	Material no.	Price/€	Material no.	Price/€	Material no.	Price/€
25						
40	0903063931	66,00 €				
50	0903063932	69,00 €				
65	0903063932	69,00 €				
80	0903063933	76,00 €				
100	0903063933	76,00 €				
125						
150						

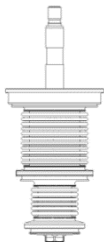
Upper bellow, elastomer seal

	DN	Material no.	Price/€
	25		
40	0902964266	309,00 €	
50	0902837537	347,00 €	
65	0902644352	398,00 €	
80	0902967610	475,00 €	
100	0902972042	560,00 €	
125			
150			

Lower bellow, elastomer seal

	DN	Material no.	Price/€
	25		
40	0902964508	269,00 €	
50	0902837777	303,00 €	
65	0902644357	348,00 €	
80	0902967518	425,00 €	
100	0902972043	498,00 €	
125			
150			

Bellow, PTFE Compound seal shrunk-on

	DN	Material no.	Price/€
	25		
40	0903420516	728,00 €	
50	0903420518	800,00 €	
65	0902420540	896,00 €	
80	0903420541	1050,00 €	
100	0903420542	1190,00 €	
125			
150			

EVOGUARD

Aseptic Double Seat Valve MA

Seal kit, actuator main valve PN 6

DN	Material no.	Price/€
	25	
40	0903064068	21,00 €
50	0903064113	24,00 €
65	0903064116	24,00 €
80	0903064119	54,00 €
100	0903064120	59,00 €
125		
150		

Seal kit, actuator main valve PN 10

DN	Material no.	Price/€
	25	
40	0903064113	24,00 €
50	0903064116	24,00 €
65	0903064119	54,00 €
80	0903064120	59,00 €
100	0903064120 0903063354	89,00 €
125		
150		

Seal kit, actuator flushing valve

DN	Material no.	Price/€
	25	
40		
50		
65	0902517095	8,80 €
80		
100		
125		
150		

Bearing set, main valve PN 6

	DN		
		Material no.	Price/€
	25		
	40	0903064129	88,00 €
	50	0903064170	90,00 €
	65	0903064171	94,00 €
	80	0903064172	99,00 €
	100	0903064173	109,00 €
	125		
	150		

Bearing set, main valve PN 10

	DN		
		Material no.	Price/€
	25		
	40	0903064170	90,00 €
	50	0903064171	94,00 €
	65	0903064172	99,00 €
	80	0903064173	109,00 €
	100	0903064173 0902491509	169,00 €
	125		
	150		

Bearing set, intake flushing valve

	DN		
		Material no.	Price/€
	25		
	40		
	50		
	65	0903063891	32,00 €
	80		
	100		
	125		
	150		

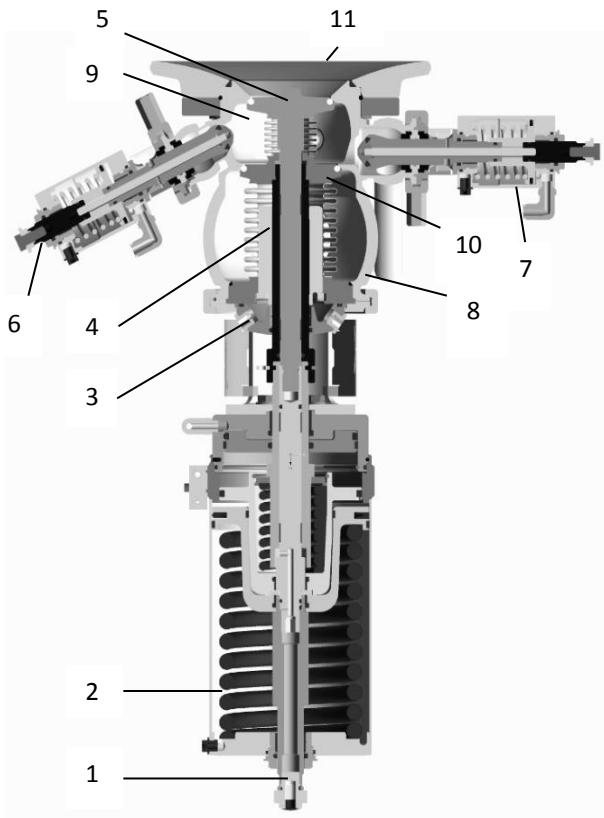
Bearing set, outlet flushing valve

	DN		
		Material no.	Price/€
	25		
	40		
	50	0903063891	32,00 €
	65		
	80	0903063808	35,00 €
	100		
	125		
	150		

ASEPTIC DOUBLE SEAT TANK OUTLET VALVE MTA

Design features of modular aseptic double seat tank outlet valves

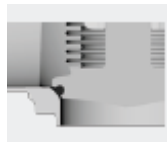
- Flat to tank bottom – no sump
- The metal bellows provides for hermetic sealing of the product space from the atmosphere
- One-piece housing, continuously adjustable over 360° PN 25
- Using independently working valve disks, each with its own seal, it is possible to realise the safe separation of incompatible products. The safety chamber between the valve disks is connected via the flushing valves
- Cleaning and/or sterilisation of the safety chamber is performed via the flushing valves or by lifting the upper or lower valve disk
- Free cross-sections in the valve housing enable gentle handling of the product
- Actuator size matched to product pressure
- The actuator's integrated lifting functions permit fast cycle times and low air consumption
- Seal geometry optimized for all applicable process conditions
- The option of using a temperature sensor makes it possible to monitor the temperature directly in the housing



- 1 Internal air flow for version with control head
- 2 Actuator with integrated lifting function
- 3 Connection for leakage discharge
- 4 Support element
- 5 Upper valve disk
- 6 Flushing valve NC
- 7 Flushing valve NO
- 8 Optimised one-piece housing
- 9 Safety chamber
- 10 Lower valve disk
- 11 Flat to tank bottom

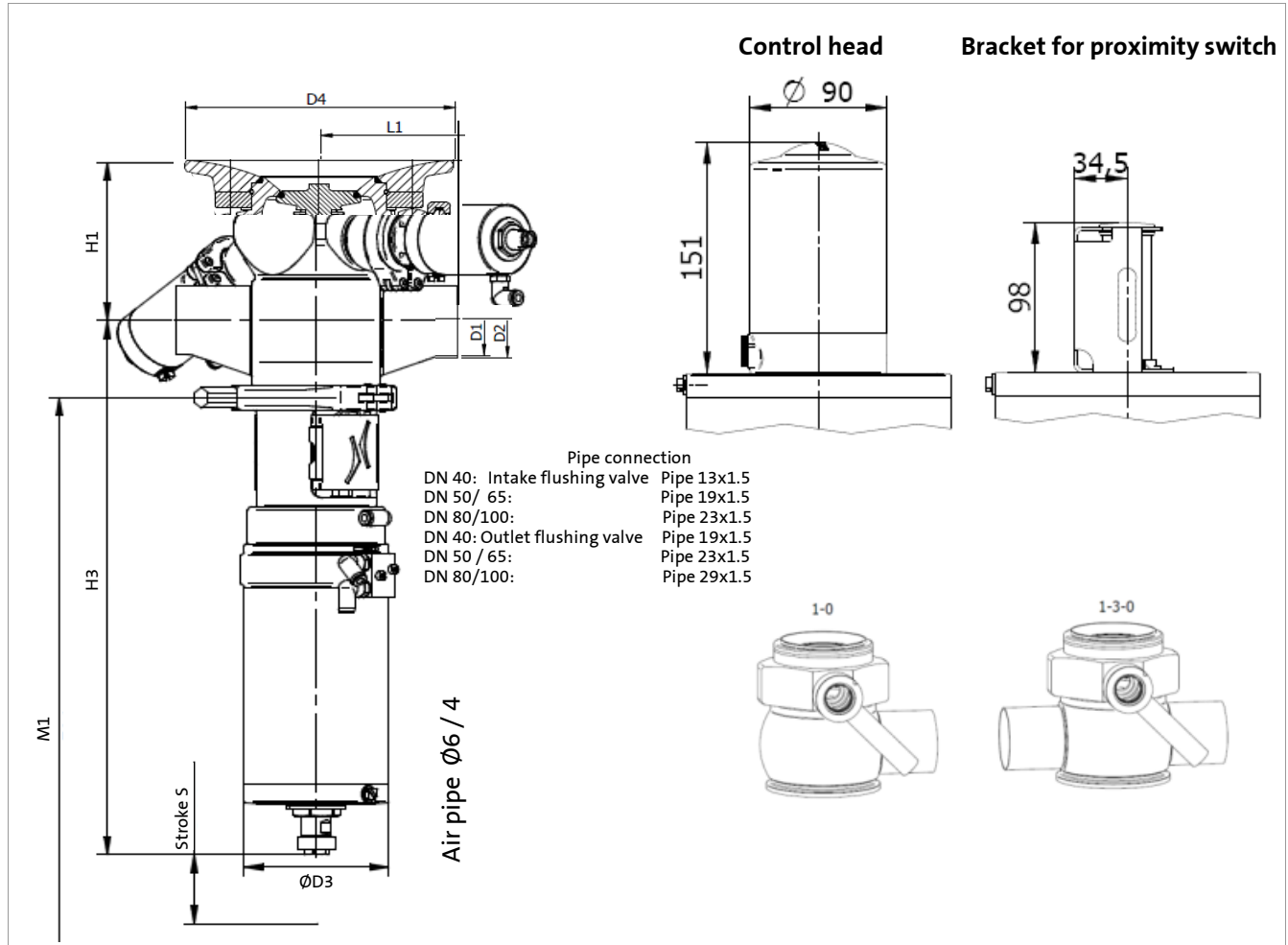


Threaded valve disk,
EPDM/FDA
or FKM HF seal



One-piece
valve disk,
PTFE Compound
seal

ASEPTIC DOUBLE SEAT TANK OUTLET VALVE MTA

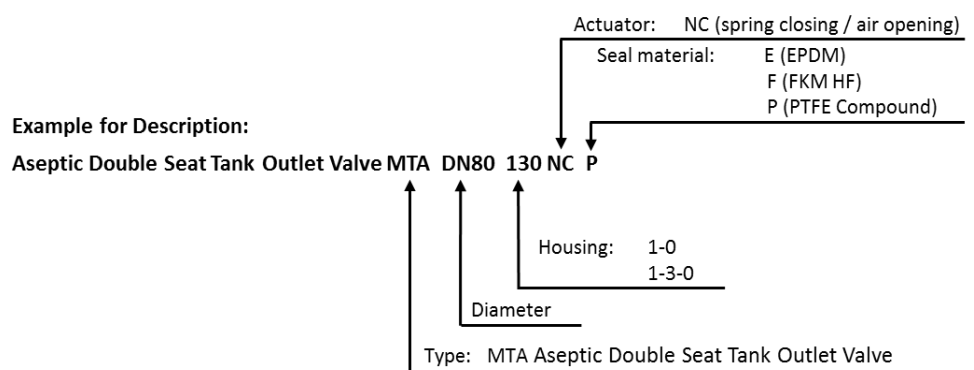


Measures

DN	ØD1 mm	ØD2 mm	ØD3 PN 6 mm	ØD3 PN 10 mm	ØD4 mm	L1 mm	H1 mm	H2 mm	H3 PN6 mm	H3 PN10 mm	M1 PN6 mm	M1 PN10 mm	Stroke mm
25													
40	38	41	89	108	190	90			366	395	490	525	12
50	50	53	108	133	190	105			423	450	575	605	16
65	66	70	133	173	230	110			458	525	630	695	19
80	81	85	173	216	250	135			545	552	760	765	23
100	100	104	216	216	280	160			595	805	830	1040	27,5
125													
150													

Weight

DN	1-0 PN10 kg	1-3-0 kg
25		
40	17	
50	25	
65	40	
80	67	
100	90	
125		
150		



ASEPTIC DOUBLE SEAT TANK OUTLET VALVE MTA NC PRODUCT PRESSURE 6 BAR

Including switch mount for proximity switch
Tank flange is not included!

1-0

1.4404 / AISI 316L

DN	- EPDM		- FKM HF		- PTFE Compound	
	Material no.	Price/€	Material no.	Price/€	Material no.	Price/€
25						
40		4.917,00 €		5.091,00 €		4.917,00 €
50		5.166,00 €		5.340,00 €		5.166,00 €
65		5.646,00 €		5.856,00 €		5.646,00 €
80		6.417,00 €		6.667,00 €		6.417,00 €
100		9.068,00 €		9.384,00 €		9.068,00 €
125		13.850,00 €		14.450,00 €		13.850,00 €
150						



1-3-0

1.4404 / AISI 316L


DN	- EPDM		- FKM HF		- PTFE Compound	
	Material no.	Price/€	Material no.	Price/€	Material no.	Price/€
25						
40		5.017,00 €		5.191,00 €		5.017,00 €
50		5.270,00 €		5.444,00 €		5.270,00 €
65		5.761,00 €		5.971,00 €		5.761,00 €
80		6.542,00 €		6.792,00 €		6.542,00 €
100		9.212,00 €		9.528,00 €		9.212,00 €
125		14.048,00 €		14.648,00 €		14.048,00 €
150						




ASEPTIC DOUBLE SEAT TANK OUTLET VALVE MTA NC PRODUCT PRESSURE 10 BAR

Including switch mount for proximity switch
Tank flange is not included!


1-0
1.4404 / AISI 316L

	DN	- EPDM		- FKM HF		- PTFE Compound	
		Material no.	Price/€	Material no.	Price/€	Material no.	Price/€
	25						
	40		6.282,00 €		6.456,00 €		6.282,00 €
	50		6.606,00 €		6.780,00 €		6.606,00 €
	65		7.254,00 €		7.464,00 €		7.254,00 €
	80		8.217,00 €		8.467,00 €		8.217,00 €
	100		11.648,00 €		11.964,00 €		11.648,00 €

1-3-0
1.4404 / AISI 316L

	DN	- EPDM		- FKM HF		- PTFE Compound	
		Material no.	Price/€	Material no.	Price/€	Material no.	Price/€
	25						
	40		6.382,00 €		6.556,00 €		6.382,00 €
	50		6.710,00 €		6.884,00 €		6.710,00 €
	65		7.369,00 €		7.579,00 €		7.369,00 €
	80		8.342,00 €		8.592,00 €		8.342,00 €
	100		11.792,00 €		12.108,00 €		11.792,00 €

Tank flange
1.4404 / AISI 316L

	DN	Material no.	Price/€
	25		
	40	0902888419	146,00 €
	50	0902888419	146,00 €
	65	0902944701	182,00 €
	80	0902620094	220,00 €
	100	0902620095	255,00 €
	125	0903995180	898,00 €
150		1.498,00 €	

SPARE PARTS ASEPTIC DOUBLE SEAT VALVE MTA

Seal kit main valve, with product contact

DN	EPDM		FKM HF		PTFE Compound	
	Material no.	Price/€	Material no.	Price/€	Material no.	Price/€
25						
40		130,00 €				130,00 €
50		130,00 €				130,00 €
65		143,00 €				143,00 €
80		190,00 €				190,00 €
100		208,00 €				208,00 €
125						
150						

Seal kit, intake flushing valve with product contact

DN	EPDM		FKM HF		PTFE Compound	
	Material no.	Price/€	Material no.	Price/€	Material no.	Price/€
25						
40	0903063930	59,00 €				
50	0903063931	66,00 €				
65	0903063931	66,00 €				
80	0903063932	69,00 €				
100	0903063932	69,00 €				
125						
150						

Seal kit, outlet flushing valve with product contact

DN	EPDM		FKM HF		PTFE Compound	
	Material no.	Price/€	Material no.	Price/€	Material no.	Price/€
25						
40	0903063931	66,00 €				
50	0903063932	69,00 €				
65	0903063932	69,00 €				
80	0903063933	76,00 €				
100	0903063933	76,00 €				
125						
150						

EVOGUARD

Aseptic Double Seat Valve MA

Upper bellow, elastomer seal

DN	Material no.	Price/€
	25	
40	0902964266	309,00 €
50	0902837537	347,00 €
65	0902644352	398,00 €
80	0902967610	475,00 €
100	0902972042	560,00 €
125		
150		

Lower bellow, elastomer seal

DN	Material no.	Price/€
	25	
40	0902964508	269,00 €
50	0902837777	303,00 €
65	0902644357	348,00 €
80	0902967518	425,00 €
100	0902972043	498,00 €
125		
150		

Bellow, PTFE Compound seal shrunk-on

DN	Material no.	Price/€
	25	
40	0903420516	728,00 €
50	0903420518	800,00 €
65	0902420540	896,00 €
80	0903420541	1050,00 €
100	0903420542	1190,00 €
125		
150		

Seal kit, actuator main valve PN 6

DN	Material no.		Price/€
25			
40	0903064068		21,00 €
50	0903064113		24,00 €
65	0903064116		24,00 €
80	0903064119		54,00 €
100	0903064120		59,00 €
125			
150			

Seal kit, actuator main valve PN 10

DN	Material no.		Price/€
25			
40	0903064113		24,00 €
50	0903064116		24,00 €
65	0903064119		54,00 €
80	0903064120		59,00 €
100	0903064120 0903063354		89,00 €
125			
150			

Seal kit, actuator flushing valve

DN	Material no.		Price/€
25			
40			
50			
65	0902517095		8,80 €
80			
100			
125			
150			

Bearing set, main valve PN 6

	DN		
		Material no.	Price/€
	25		
	40	0903064129	88,00 €
	50	0903064170	90,00 €
	65	0903064171	94,00 €
	80	0903064172	99,00 €
	100	0903064173	109,00 €
	125		
	150		

Bearing set, main valve PN 10

	DN		
		Material no.	Price/€
	25		
	40	0903064170	90,00 €
	50	0903064171	94,00 €
	65	0903064172	99,00 €
	80	0903064173	109,00 €
	100	0903064173 0902491509	169,00 €
	125		
	150		

Bearing set, intake flushing valve

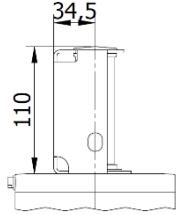
	DN		
		Material no.	Price/€
	25		
	40		
	50		
	65	0903063891	32,00 €
	80		
	100		
	125		
	150		

Bearing set, outlet flushing valve

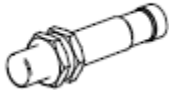
	DN		
		Material no.	Price/€
	25		
	40		
	50	0903063891	32,00 €
	65		
	80	0903063808	35,00 €
	100		
	125		
	150		

ADDITIONAL EQUIPMENT ASEPTIC DOUBLE SEAT VALVE MA

Proximity switch mount M12x1

	DN	Material no.	Price/€
	25	0903370971	118,00 €
	40		
	50		
	65		
	80		
	100		
	125		
	150		

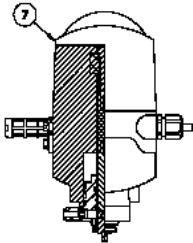
Proximity switch M12x1

	DN	Material no.	Price/€
	25	0901443696	21,20 €
	40		
	50		
	65		
	80		
	100		
	125		
	150		

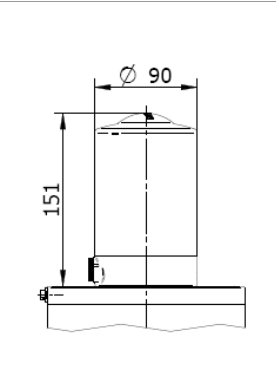
Control head flushing valve, 2 proximity switches

	DN	24 V DC 2 proximity switches 1 solenoid valve		24 V DC ASI 2 proximity switches 1 solenoid valve	
		Material no.	Price/€	Material no.	Price/€
	25		294,00 €		384,00 €
	40				
	50				
	65				
	80				
	100				
	125				
150					

Control head flushing valve, IO link

	DN	IO link Port class A (4-pole) 1 solenoid valve		IO link Port class B (5-pole) 1 solenoid valve	
		Material no.	Price/€	Material no.	Price/€
	25		799,00 €		870,00 €
	40				
	50				
	65				
	80				
	100				
	125				
150					

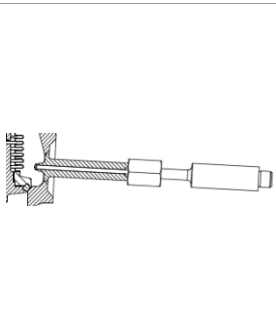
Control head main valve

	DN	24 V DC Position measurement system 3 solenoid valves		24 V DC ASI Position measurement system 3 solenoid valves	
		Material no.	Price/€	Material no.	Price/€
	25	0903628605	529,00 €	0903628606	698,00 €
40					
50					
65					
80					
100					
125					
150					

Control head main valve, IO link

	DN	IO link Port class A (4-pole) 3 solenoid valves		IO link Port class B (5-pole) 3 solenoid valves	
		Material no.	Price/€	Material no.	Price/€
	25	890,00 €	990,00 €		
40					
50					
65					
80					
100					
125					
150					

Surcharge for adapter for temperature sensor welded in the housing

	DN	10 - 35 V DC	
		Material no.	Price/€
	25	0902324750	300,00 €
40			
50			
65			
80			
100			
125			
150			

Further types available upon request

15 Aseptic Control Valve RA



INFORMATION

Flow control is a major aspect in aseptic processes of beverage production. Durable, high-grade valves are needed for typical operations such as redirection, shutting off of product flows and tank discharge. To adjust processes exactly and fast, reliable aseptic control valves are necessary.

The aseptic control valve was developed in a similar way to the EVOGUARD aseptic seat valve. Therefore, EVOGUARD provides suitable components for all aseptic applications. Furthermore, a long service life and ease of replacement are very important factors when selecting a valve technique.

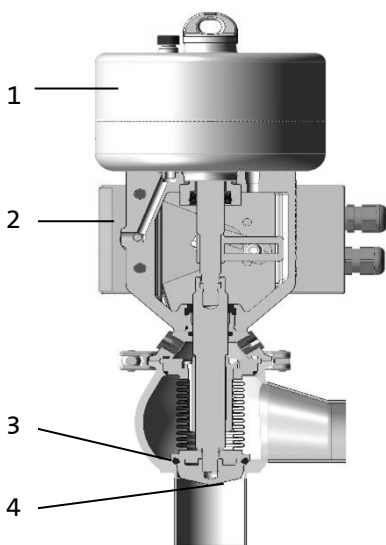
EVOGUARD control valves are designed to deliver high performance during day-to-day operation.

To cover a lot of control processes, the equal percentage cone is standard. The allocation of the control valve results from nominal diameter, KV value and seat diameter.

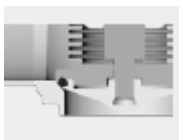
The metal stop on the valve disk and the positioning of the seal prevent excessive stress on the seal. Optimal compliance with hygienic design is another outstanding feature of the valves.

Design features of modular aseptic control valves

- The housing resists highest pressures of operating pressure of PN25. The execution and the optimized geometry, which is according to the specification of EHEDG, ensure high reliability in the production process.
- The metal bellows provides for hermetic sealing of the product space from the atmosphere. Its multilayer design and optimised guidance by means of a support element result in prolonged service life and prevent the bellows from being overloaded during dismantling.
- The valve disk has a flow-efficient design. It is possible to choose between a single-piece version with a seal made of PTFE compound and a two-piece threaded version with a seal made of EPDM/FDA or FKM HF.
- Actuator size matched to product pressure
- Allocation according to nominal diameter, KV value and seat diameter



- 1 Diaphragm actuator
- 2 Positioner
- 3 Metal stop
- 4 Two-piece valve disk, threaded



Two-piece valve disk, threaded, EPDM/FDA or FKM HF seal



One-piece valve disk, PTFE Compound seal

Seat Ø	Value		Stroke 20			Stroke 30		
	Kvs m ³ /h	Cvs USgal/min	DN25	DN40	DN50	DN65	DN80	DN100
10	0,63	0,73	x					
	1	1,16						
	1,6	1,86						
	2,5	2,9						
19	4	4,64	x	x				
	6,3	7,31						
26	10	11,6	x	x				
38	16	18,56		x	x	x		
	25	29						
50	32	37,12			x	x	x	
	40	46,4						
66	63	73,1				x	x	
81	100	116					x	x
100	160	185,6						x

TECHNICAL DATA

Pressures

Product pressure	PN 87 psi (6 bar), 145 psi (10 bar) / vacuum -13.8 psi (-0.95 bar)
Housing	PN 360 psi (25 bar)
Control air pressure	min. 87 psi (6 bar) - max. 115 psi (8 bar)

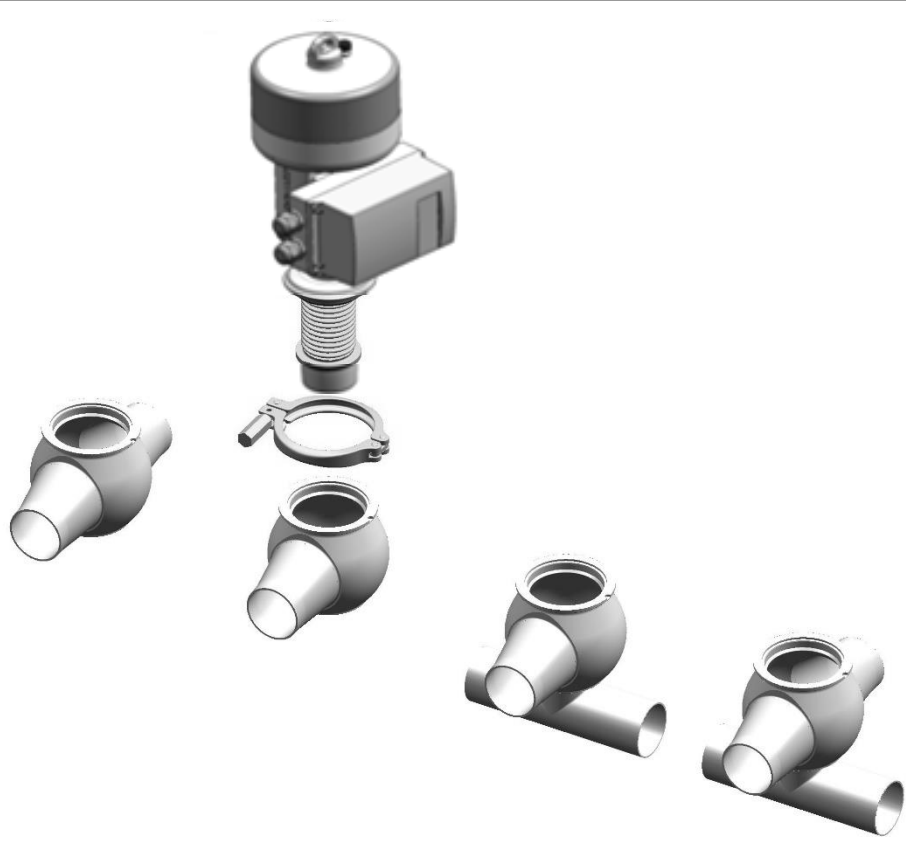
Material

With product contact	1.4404 / AISI 316L
Without product contact	1.4301
Seal	EPDM / FDA, FKM HF PTFE Compound

Surface

With product contact	Ra ≤ 0.8 μ
Without product contact	Ra ≤ 1.6 μ

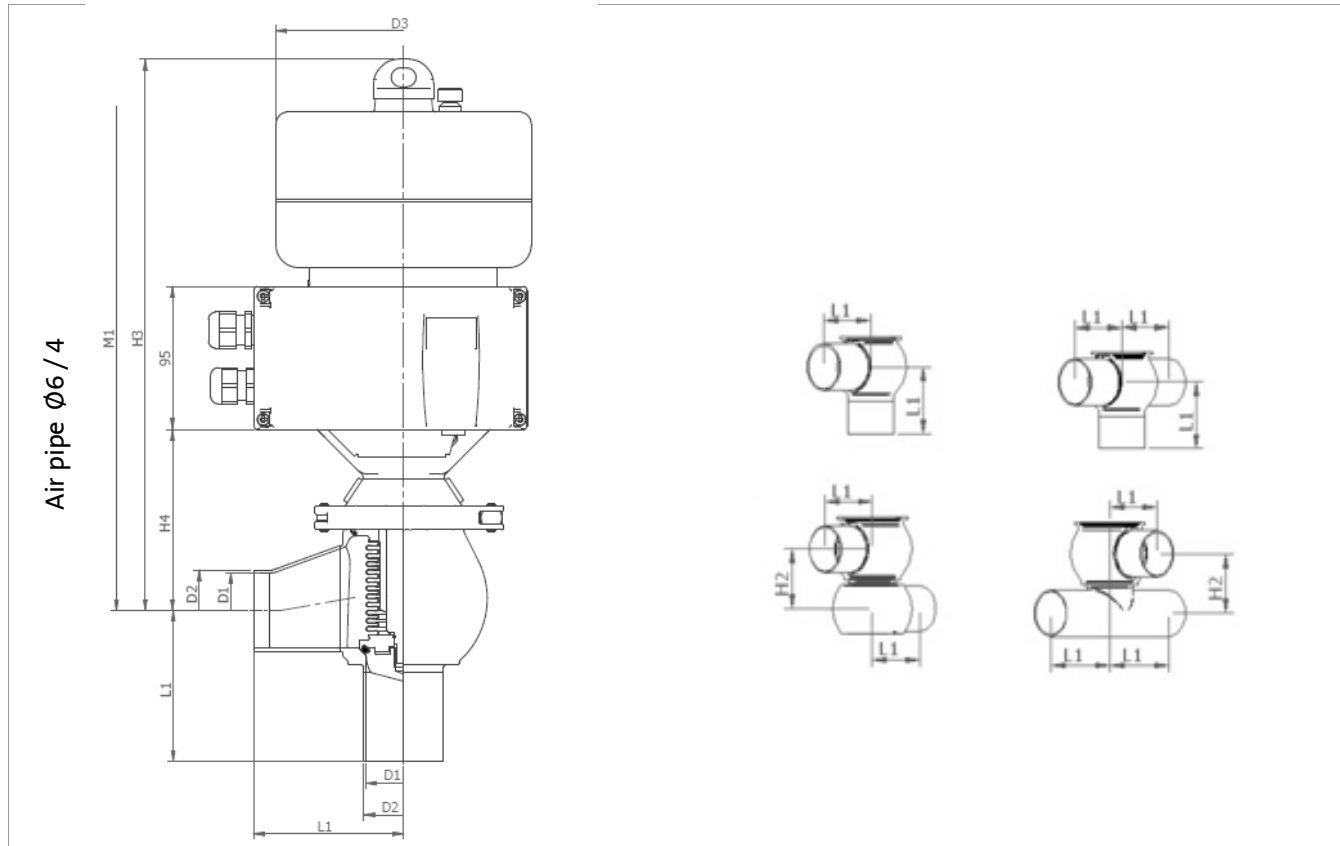
Designs

Housing versions	
Actuator	Pneumatic diaphragm actuator NC / NO
Additional equipment	Positioner set value 4 – 20 mA

According to legal requirements
EU Pressure Equipment Directive 2014/68/EU
EU Machinery Directive 2006/42/EC
Design check by TÜV Süd



ASEPTIC CONTROL VALVE RA

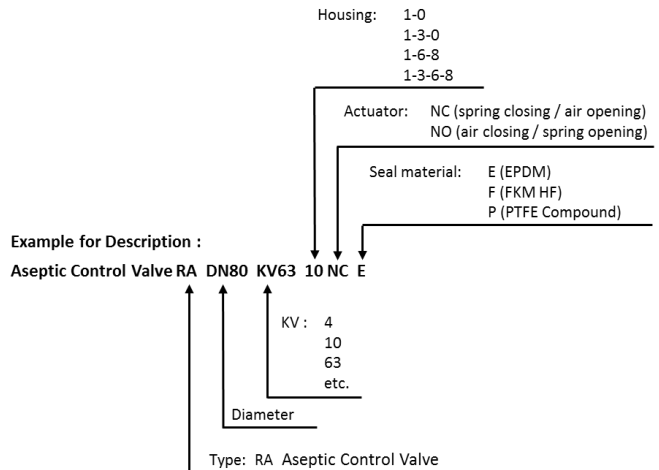


Dimensions

DN	ØD1 mm	ØD2 mm	ØD3 mm	L1 mm	H1 mm	H2 mm	H3 mm	H4 mm	M1 mm
25	26	29	170	70			350	88	440
40	38	41	170	90			355	103	465
50	50	53	170	100			366	109	495
65	66	70	170	100			373	117	515
80	81	85	270	125			390	125	560
100	100	104	270	155			410	138	615
125									
150									

Weight

DN	1-0 kg	1-3-0 kg	1-6-8 kg	1-3-6-8 kg
25	13,5			
40	15,1			
50	15,3			
65	17,5			
80	20,3			
100	45,5			
125				
150				



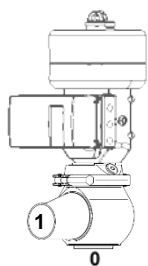
ASEPTIC CONTROL VALVE RA PRODUCT PRESSURE 6 BAR

KV value max. corresponding to nominal diameter, positioner Siemens Sipart PS2

1-0

1.4404 / AISI 316L

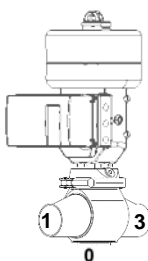
DN	- EPDM		- FKM HF		- PTFE Compound	
	Material no.	Price/€	Material no.	Price/€	Material no.	Price/€
25						
40						
50						
65	0903786295	3.744,00 €		3.822,00 €		3.744,00 €
80		5.401,00 €		5.493,00 €		5.401,00 €
100		5.770,00 €		5.882,00 €		5.770,00 €
125						
150						



1-3-0

1.4404 / AISI 316L

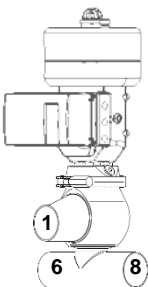
DN	- EPDM		- FKM HF		- PTFE Compound	
	Material no.	Price/€	Material no.	Price/€	Material no.	Price/€
25						
40						
50						
65		3.858,00 €		3.936,00 €		3.858,00 €
80	0903067738	5.526,00 €		5.618,00 €		5.526,00 €
100		5.914,00 €		6.026,00 €		5.914,00 €
125						
150						



1-6-8

1.4404 / AISI 316L

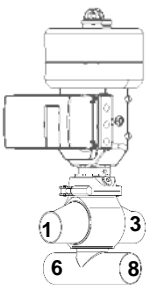
DN	- EPDM		- FKM HF		- PTFE Compound	
	Material no.	Price/€	Material no.	Price/€	Material no.	Price/€
25						
40						
50						
65		3.932,00 €		4.010,00 €		3.932,00 €
80		5.611,00 €		5.703,00 €		5.611,00 €
100		6.018,00 €		6.130,00 €		6.018,00 €
125						
150						



1-3-6-8

1.4404 / AISI 316L

DN	- EPDM		- FKM HF		- PTFE Compound	
	Material no.	Price/€	Material no.	Price/€	Material no.	Price/€
25						
40						
50						
65		4.046,00 €		4.124,00 €		4.046,00 €
80		5.736,00 €		5.828,00 €		5.736,00 €
100		6.162,00 €		6.274,00 €		6.162,00 €
125						
150						



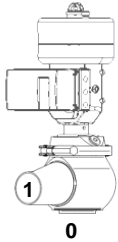
Further types available upon request

ASEPTIC CONTROL VALVE RA PRODUCT PRESSURE 10 BAR

KV value max. corresponding to nominal diameter, positioner Siemens Sipart PS2

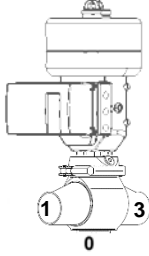
1-0

1.4404 / AISI 316L

	DN	- EPDM		- FKM HF		- PTFE Compound	
		Material no.	Price/€	Material no.	Price/€	Material no.	Price/€
25			3.162,00 €		3.220,00 €		3.162,00 €
40			3.507,00 €		3.570,00 €		3.507,00 €
50			3.702,00 €		3.765,00 €		3.702,00 €
65			4.280,00 €		4.358,00 €		4.280,00 €
80			7.298,00 €		7.390,00 €		7.298,00 €
100			7.948,00 €		8.060,00 €		7.948,00 €
125							
150							

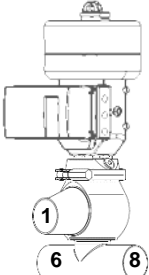
1-3-0

1.4404 / AISI 316L

	DN	- EPDM		- FKM HF		- PTFE Compound	
		Material no.	Price/€	Material no.	Price/€	Material no.	Price/€
25			3.253,00 €		3.311,00 €		3.253,00 €
40			3.607,00 €		3.670,00 €		3.607,00 €
50			3.806,00 €		3.869,00 €		3.806,00 €
65			4.394,00 €		4.472,00 €		4.394,00 €
80			7.423,00 €		7.515,00 €		7.423,00 €
100			8.092,00 €		8.204,00 €		8.092,00 €
125							
150							

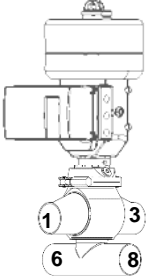
1-6-8

1.4404 / AISI 316L

	DN	- EPDM		- FKM HF		- PTFE Compound	
		Material no.	Price/€	Material no.	Price/€	Material no.	Price/€
25			3.304,00 €		3.362,00 €		3.304,00 €
40			3.667,00 €		3.730,00 €		3.667,00 €
50			3.870,00 €		3.933,00 €		3.870,00 €
65			4.468,00 €		4.546,00 €		4.468,00 €
80			7.508,00 €		7.600,00 €		7.508,00 €
100			8.196,00 €		8.308,00 €		8.196,00 €
125							
150							

1-3-6-8

1.4404 / AISI 316L

	DN	- EPDM		- FKM HF		- PTFE Compound	
		Material no.	Price/€	Material no.	Price/€	Material no.	Price/€
25			3.395,00 €		3.453,00 €		3.395,00 €
40			3.767,00 €		3.830,00 €		3.767,00 €
50			3.974,00 €		4.037,00 €		3.974,00 €
65			4.582,00 €		4.660,00 €		4.582,00 €
80			7.633,00 €		7.725,00 €		7.633,00 €
100			8.340,00 €		8.452,00 €		8.340,00 €
125							
150							

Further types available upon request

SPARE PARTS ASEPTIC CONTROL VALVE RA

Seal kit with product contact up to KV 10

DN	EPDM		FKM HF		PTFE Compound	
	Material no.	Price/€	Material no.	Price/€	Material no.	Price/€
25	0903426051	47,00 €	0903867262	59,00 €	0903867221	89,00 €
40	0903426052	49,00 €	0903867264	65,00 €	0903426082	97,00 €
50						
65						
80						
100						
125						
150						

Seal kit with product contact KV 16 to KV 40

DN	EPDM		FKM HF		PTFE Compound	
	Material no.	Price/€	Material no.	Price/€	Material no.	Price/€
25						
40	0903426052	49,00 €	0903867264	65,00 €	0903426082	97,00 €
50	0903426052	49,00 €	0903867264	65,00 €	0903426082	97,00 €
65	0903426053	51,00 €	0903867265	69,00 €	0903426083	117,00 €
80	0903426055	49,00 €	0903867287	69,00 €	0903867225	138,00 €
100						
125						
150						

Seal kit with product contact KV 63

DN	EPDM		FKM HF		PTFE Compound	
	Material no.	Price/€	Material no.	Price/€	Material no.	Price/€
25						
40						
50						
65	0903426056	50,00 €	0903867282	68,00 €	0903867222	117,00 €
80	0903426055	46,00 €	0903867287	66,00 €	0903867225	138,00 €
100	0903426059	61,00 €	0903867289	87,00 €	0903867228	168,00 €
125						
150						

Seal kit with product contact KV 100


DN	EPDM		FKM HF		PTFE Compound	
	Material no.	Price/€	Material no.	Price/€	Material no.	Price/€
25						
40						
50						
65						
80	0903426058	57,00 €	0903867288	77,00 €	0903867226	138,00 €
100	0903426059	61,00 €	0903867289	87,00 €	0903867228	168,00 €
125						
150						

Seal kit with product contact KV 160

DN	EPDM		FKM HF		PTFE Compound	
	Material no.	Price/€	Material no.	Price/€	Material no.	Price/€
25						
40						
50						
65						
80						
100	0903426080	77,00 €	0903867310	103,00 €	0903867261	168,00 €
125						
150						

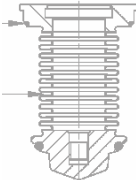
Bellow, elastomer seal

DN		
	Material no.	Price/€
25	0902567648	263,00 €
40	0902567649	299,00 €
50	0902567780	332,00 €
65 bis KV40	0902875167	398,00 €
65 KV63	0902567781	384,00 €
80 bis KV63	0902876012	460,00 €
80 KV100	0902567782	460,00 €
100 bis KV100	0902883454	530,00 €
100 KV160	0902567783	590,00 €
125		
150		



Bellow, PTFE Compound seal shrunk-on

DN		
	Material no.	Price/€
25		
40		
50 KV25	0903420577	493,00 €
50 KV40	0903420575	493,00 €
65 KV40	0903420573	593,00 €
80 KV100	0904023423	662,00 €
100 KV63	0904202599	764,00 €
100 KV100	0904124966	764,00 €
125		
150		



Diaphragm for diaphragm actuator

	TYPE	NBR	
		Material no.	Price/€
	813		
	MF I	0904201142	222,00 €
	MF III	0904201144	449,00 €

Sealing and bearing set for diaphragm actuator

	TYPE	NBR	
		Material no.	Price/€
	813		
	MF I	0904202629	141,00 €
	MF III	0904202289	237,00 €

Positioner without mounting parts

	DN	NBR	
		Material no.	Price/€
	Siemens Sipart PS2	0902798583	1.190,00 €
	Siemens Sipart PS 2 HART	0903626760	1.976,00 €

16 Sampling



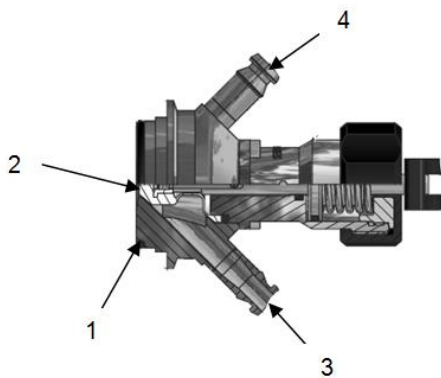
INFORMATION

Aseptic sampling valve or aseptic sampling system for safe and aseptic sampling, as a supplement to the aseptic valve range.

Design features of aseptic sampling valves

- Optimum cleaning relations in the product room, certified according to the guidelines of EHEDG
- Easy assembly
- Connection by welding end, clamp, in-line system
- Seal with bellow TFM 1705 FDA
- Outlet at an angle or with a bend
- Connections for steam or cleaning solutions lockable

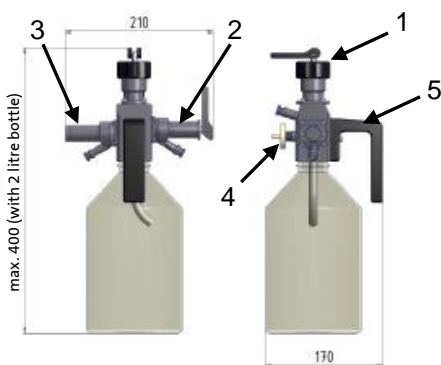
Sampling valve



- 1 Housing connection
- 2 Bellow
- 3 Outlet connection
- 4 Connection for steam or cleaning solutions

Sampling system

- Sterile sampling – unit bottle and valve block



- 1 Sampling valve
- 2 CIP valve
- 3 Safety relief valve
- 4 Sterile air filter
- 5 Handle

TECHNICAL DATA

Pressures

Product pressure	PN 87 psi (6 bar) / vacuum -13.8 psi (-0.95 bar)
Temperature	125 °C
Sterilisation temperature	max. 135 °C temporary (20 min)
Housing	PN 145 psi (10 bar)
Control air pressure	min. 87 psi (6 bar) - max. 115 psi (8 bar)

Material

Product pressure	1.4404 / AISI 316L
Without product contact	1.4301
Seal	TFM 1705 FDA

Surface

With product contact	Ra ≤ 0.8 μ
Without product contact	Ra ≤ 1.6 μ

Designs

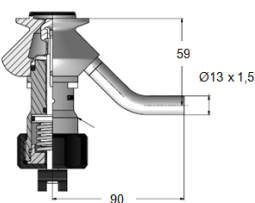
Housing versions	
Actuator	With hand lever – self-closing or with hand wheel – slow opening Pneumatic drive NC
Additional equipment	Proximity switch

According to legal requirements
EU Pressure Equipment Directive 2014/68/EU
EU Machinery Directive 2006/42/EC
Design check by TÜV Süd



SAMPLING VALVE

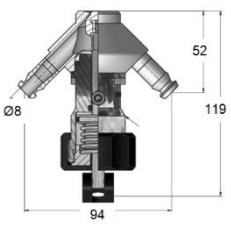
Connection BioConnect DN 25
1.4404 / AISI 316L

	DN - PTFE	
	Material no.	Price/€
	0901276343	545,75€

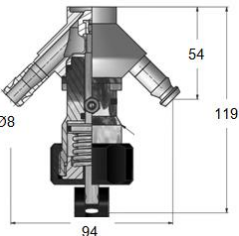
Tank connection
1.4404 / AISI 316L

	DN - PTFE	
	Material no.	Price/€
	0902362034	663,28€

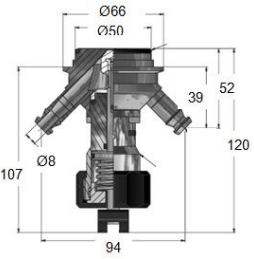
Tank connection
1.4404 / AISI 316L

	DN - PTFE	
	Material no.	Price/€
	0901856818	693,94€

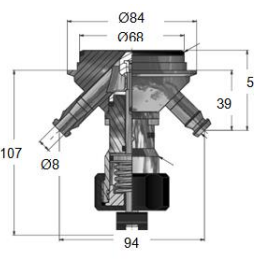
Pipe connection
1.4404 / AISI 316L

	DN - PTFE	
	Material no.	Price/€
	0901861643	755,26€

Connection InLine D 50 1.4404 / AISI 316L

	DN	- PTFE	
		Material no.	Price/€
		0901276555	816,58€

Connection InLine D 68 1.4404 / AISI 316L


	DN	- PTFE	
		Material no.	Price/€
		0901276550	946,37€

Sampling system without bottle 1.4404 / AISI 316L


	DN	- PTFE	
		Material no.	Price/€
		0902515987	2125,76€

For the sampling system, additional filters are necessary.

Sampling bottle PP 2 litres

	DN	- PP	
		Material no.	Price/€
		0902269877	162,00 €

Sterile air filter

			
		Material no.	Price/€
		0903795811	52,00 €

SPARE PARTS SAMPLING

Sampling valve Seal kit with product contact

	Con- nec- tion	Material no.	Price/€
		Tank Pipe	0901867430
	Clamp	0901293688	65,41€
	Inline	0901293967	67,45€

Sampling system Seal kit with product contact

		Material no.	Price/€
		0903420730	289,00 €
0903420898			
0903420981			
0903420983			

ADDITIONAL EQUIPMENT


Hose PTFE, length = 500

		Material no.	Price/€
		0904210469	19,60 €


Hose PTFE, length = 150

		Material no.	Price/€
		0904210467	18,60 €


BioShut fast locking cap DN 10 for joint

		Material no.	Price/€
		0904214232	174,60 €


Fast locking coupling DN 10 for joint

		Material no.	Price/€
		0904214234	143,00 €


BioCap protecting cap set DN 10 for joint, quick release coupling

		Material no.	Price/€
			80,00 €

Weld-on nozzle DN 10

		Material no.	Price/€
		0904214235	36,00 €

BioCap S weld-on cap DN 10

		Material no.	Price/€
		0904214233	184,00 €

17 Compensator

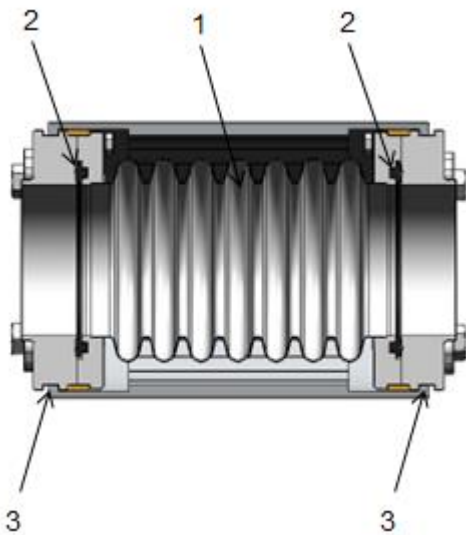


INFORMATION

Double seat mixproof valves are needed to help manage the flow of product or cleaning fluids in highly automated systems, positioned in the form of valve blocks and static piping equipment systems. Pre-programmed routings can be used to control the production sequence. To compensate the stress in the pipe system, as a result of heat expansion based on different temperatures of CIP and product, expansion compensators are necessary.

Design features of compensator

- Certified according to the guidelines of EHEDG
- Easy assembly
- Defined compensation distance due to metallic stop for tensile and compressive stress.
- Sealing similar to the proven flange connection
- Favourable at maintenance - spare parts only flange seals



- 1 Metal bellow
- 2 Sealing T-Seal
- 3 Metallic stop

TECHNICAL DATA

Pressures

Product pressure	PN 230 psi (16 bar) / vacuum -13.8 psi (-0.95 bar)
Housing	PN 340 psi (24 bar)

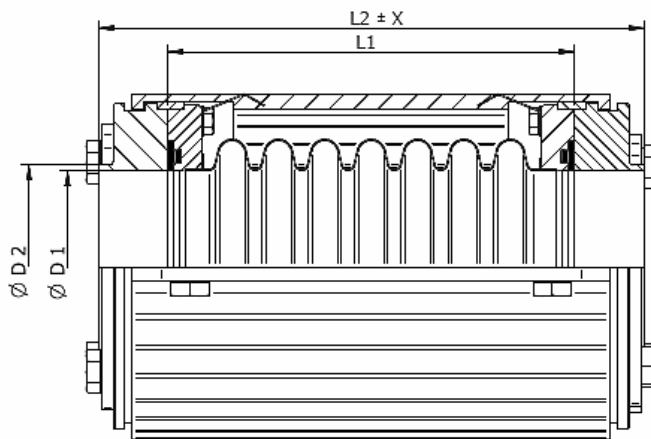
Material

With product contact	1.4404 / AISI 316L
Without product contact	1.4301
Seal	EPDM / FDA Further materials upon request

Surface

With product contact	$Ra \leq 0.8 \mu$
Without product contact	$Ra \leq 1.6 \mu$

According to legal requirements
EU Pressure Equipment Directive 2014/68/EU
EU Machinery Directive 2006/42/EC
Design check by TÜV Süd



Dimensions

DN	ØD1 mm	ØD2 mm	L1 mm	L2 mm	H1 mm	±X mm
25	26	29				
40	38	41	100	148	99	2,5
50	50	53	140	188	104	2,5
65	66	70	140	188	112	3
80	81	85	140	188	120	3
100	100	104	140	188	130	3
125	125	129	160	208	145	3
150	150	154	160	208	157	3

Compensator incl. flange 1.4404 / AISI 316L

	DN	- EPDM		- HNBR		- FKM	
		Material no.	Price/€	Material no.	Price/€	Material no.	Price/€
	25						
	40	0904221255	1.198,00 €		1.229,50 €		1.261,00 €
	50	0904220883	1.298,00 €		1.329,50 €		1.361,00 €
	65	0904220326	1.398,00 €		1.437,00 €		1.476,00 €
	80	0904218648	1.569,00 €		1.615,00 €		1.661,00 €
	100	0904218572	1.759,00 €		1.815,00 €		1.871,00 €
	125	0904218256	2.983,00 €		3.072,00 €		3.161,00 €
	150	0904217359	3.820,00 €		3.914,50 €		4.009,00 €

Compensator without flange 1.4404 / AISI 316L


	DN	- EPDM		- HNBR		- FKM	
		Material no.	Price/€	Material no.	Price/€	Material no.	Price/€
	25						
	40	0904236983	898,00 €		929,50 €		961,00 €
	50	0904236887	978,00 €		1.009,50 €		1.041,00 €
	65	0904236391	1.058,00 €		1.097,00 €		1.136,00 €
	80	0904236485	1.279,00 €		1.325,00 €		1.371,00 €
	100	0904236511	1.398,00 €		1.454,00 €		1.510,00 €
	125	0904236628	2.490,00 €		2.579,00 €		2.668,00 €
	150	0904236712	3.420,00 €		3.514,50 €		3.609,00 €

18 Installation accessories

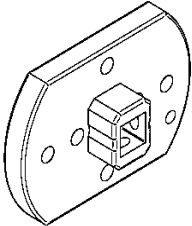
Tool set

		Material no.	Price/€
		0903414042	480,00 €

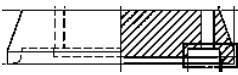
Pin-type face wrench

	DN	Material no.	Price/€
	25	0903924248	3,17 €
	40	0903413248	4,66 €
	50	0903413248	4,66 €
	65	0903413511	6,29 €
	80	0903413562	8,99 €
	100	0903413562	8,99 €
	125	0903413562	8,99 €
	150	0903413562	8,99 €

Dismantling tool for valve discs

		Material no.	Price/€
		0904445406	265,00 €

ST flange for welding the tank flange to the tank

	DN	EPDM	
		Material no.	Price/€
	25	0903244518	270,00 €
	40	0903244074	270,00 €
	50	0903244074	270,00 €
	65	0902950971	290,00 €
	80	0902622415	320,00 €
	100	0902622414	360,00 €
	125	0904034139	610,00 €
150			

19 Documentation, certificates

Certificates

		Material no.	Price/€
	Certificate 2.1	0904669556	20,00 €
	Certificate 3.1	0904669558	60,00 €
	Certificate of origin	0904747959	50,00 €

TAG no.

Label fixed to the valve

		Material no.	Price/€
	Label per valve		10,00 €

20 Imprint

EVOGUARD product catalogue
Issue 01/2021

The price list is valid as of 01.01.2021. This list revokes all former prices.
All prices are in Euro per piece/unit if not stated otherwise.
Prices, order numbers and technical data correspond to the current state.

The images, drawings, prices, technical parameters and recommended applications available within the framework of this publication and derived documents. The specifications, technical data and information published electronically or in written form do not exempt the user from own examination of the products delivered by us for suitability of the intended application.

Subject to technical modifications.
Subject to errors or misprints. All information without guarantee.

The latest version of EVOGUARD GmbH's General Terms and Conditions applies.

Contact data:
Tel.: +49 9436 307 700
Fax: +49 9401 70 943 700
E-mail: info@evoguard.com
Internet: www.evoguard.com

EVOGUARD GmbH
Dr.-Hermann-Kronseder-Straße 1
93149 Nittenau
Germany

I. Subject of the Contract, Scope, Offer

1. The present Terms and Conditions shall apply exclusively; any conditions (as defined by § 305 of the German Civil Code, hereafter "BGB") presented by Customer which contradict or deviate from the present Terms and Conditions shall not be part of the contract.
2. The present Terms and Conditions shall apply to all contractual performances of EVOGUARD GMBH, regardless of the legal type of contract that such performance is based on. Therefore, they shall apply both to sales contracts and to contracts for work, to contracts for delivery of a work and to any combined contract types.
3. Any individual agreements concluded between the parties hereto concerning the rights and duties of these parties shall take precedence over the present Terms and Conditions.
4. All agreements entered into between EVOGUARD GMBH and Customer with regard to performance of the contract shall be made in writing.
5. The present Terms and Conditions shall only apply in relation to merchants, legal entities subject to public law and trustees of public funds (as respectively defined by § 310 BGB).
6. The present Terms and Conditions shall also apply to all future business transactions between EVOGUARD GMBH and Customer.
7. If an order qualifies as an offer (as defined by § 145 BGB), EVOGUARD GMBH may accept such offer within 4 weeks of its receipt.

II. Documents, Business Secrets, Preparatory Work

1. EVOGUARD GMBH shall retain all rights, in particular property rights and copyrights, in all cost estimates, calculations, plans, illustrations, drafts, preparatory work, drawings and other documents. Such works shall not be made accessible to third parties without the written consent of EVOGUARD GMBH. Any documents indicated as confidential by Customer shall not be made accessible to third parties by EVOGUARD GMBH without the written consent of Customer. Documents supplied by EVOGUARD GMBH shall be used solely to prepare for the conclusion of the contract, and thereafter for its execution. Any further use shall be prohibited.
2. Customer shall not disclose to third parties any business secrets of EVOGUARD GMBH or of its associated companies (as defined by § 15 of the German Law of Share Corporations), which Customer has received knowledge of. EVOGUARD GMBH shall not disclose to third parties any business secrets of Customer or its associated companies, which EVOGUARD GMBH has received knowledge of.
3. Both EVOGUARD GMBH and Customer shall use adequate means to ensure that their directors, officers and employees will also comply with the above obligations.

III. Time of Delivery, Scope of Delivery, Acceptance, Delay

1. The time agreed for delivery shall commence upon dispatch of the order confirmation and clarification of all technical questions, provided that Customer has made available to EVOGUARD GMBH all plans, documents, approvals, releases and permits required, and any agreed advance payment has been received.
2. The performance owed by EVOGUARD GMBH shall be deemed to have been effected in due time where the object of contract was duly shipped prior to expiry of the term for delivery, or where Customer was informed of EVOGUARD GMBH's readiness to make shipment within this term.
3. A default in performance due to force majeure shall not entitle Customer to a claim (in particular, a claim for a contractual penalty or damages) against EVOGUARD GMBH. Any unforeseeable

event or an event, which - though foreseeable - is beyond the influence and control of EVOGUARD GMBH and the effects of which cannot be avoided by the exercise of reasonable care shall be considered an event of force majeure. Such events include but are not limited to delayed performance by subcontractors/suppliers, acts of war (whether declared or not), war-like conditions, riot, revolution, rebellion, military or civilian coups d'état, insurrection, turmoil, outrages, mobilisation, requisition, blockade, embargo, government order, sabotage, strikes, go-slow strikes, lockout, epidemic diseases, fire, floods, storm tides, typhoons or other poor weather conditions, lack of raw materials and supplies, shipwreck, insufficient loading capacity or port facilities, delays resulting from transportation, loading and discharge, non-availability of freight capacity, justifiable change/exchange of freight forwarder and/or carrier and/or ship owner and/or other commercial shipping company, accidents in transit, earthquakes, radioactive accidents, physical or man-made obstructions of any kind at the building site/production facility.

4. In all cases, where obstacles to performance - regardless of their nature - are not the responsibility of EVOGUARD GMBH, the latter shall be entitled to receive an extension of time for delivery as well as additional payments to compensate for the additional performance and/or costs.
5. Where shipment is postponed at the request of Customer, Customer shall reimburse the costs actually incurred by the storage of the goods. In case of storage on-site in a plant of EVOGUARD GMBH, the latter shall be entitled to a lump-sum minimum amount of 0.5 % of the agreed price for each month as compensation for its additional costs. This stipulation shall not preclude EVOGUARD GMBH or Customer from furnishing proof of higher or lower costs, respectively.
6. Clause 5 above shall equally apply to any other case of delayed acceptance on the part of Customer. Where Customer is in default with regard to acceptance or is in violation of any other contractual obligation with regard to cooperation, the risk of accidental loss, destruction or accidental deterioration of the goods shall pass to Customer at the time such default arises.
7. This agreement shall not preclude any further rights that EVOGUARD GMBH may have.
8. Compliance with the time for delivery shall be subject to Customer duly fulfilling his contractual duties in a timely manner.
9. Partial deliveries by EVOGUARD GMBH may only be rejected where they impose on Customer in an unreasonable manner.
10. Where acceptance is provided for by contract or by law, such acceptance shall be governed by the legal provisions applicable to acceptance in contracts for work.

IV. Price and Payment

1. The prices agreed upon are stated on an ex works basis. Any shipping costs, including the costs of packaging, loading, stowage and unloading shall be borne by Customer. The value-added tax applicable at the time of delivery shall be added to the above prices.
2. To the extent that EVOGUARD GMBH is obliged by German regulations governing packaging to take back packaging used for transportation, Customer shall bear the costs of returning the used packaging and the reasonable costs for the reuse thereof. To the extent that the packaging taken back cannot be reused, Customer shall bear the costs of the material processing incurred by EVOGUARD GMBH. In addition, Customer shall pay any duties, clearance charges, taxes and other charges incurred as a result of taking back transport packaging.
3. Containers used for transportation are not within the scope of this contract and are not considered packaging. They shall remain property of EVOGUARD GMBH. They shall be re-exported

by Customer at his expense (shipping costs, duties, clearance charges, taxes and other charges) and risk, and sent back to EVOGUARD GMBH.

4. Tools, excess material, welding supplies and other auxiliary equipment are not within the scope of this contract. They shall remain property of EVOGUARD GMBH. They shall be re-exported by Customer at his expense (shipping costs, duties, clearance charges, taxes and other charges) and risk, and sent back to EVOGUARD GMBH.
5. The price agreed upon shall be due in cash without any deduction.
6. EVOGUARD GMBH shall be entitled to interest on payments due and in arrears to the extent provided by law. The assertion by EVOGUARD GMBH of further rights or damages shall not be affected hereby.
7. Customer shall not be entitled to any rights of set-off or retention, unless his counter-claims have become legally effective (res judicata), are uncontested or have been acknowledged by EVOGUARD GMBH, and EVOGUARD GMBH was given at least one month's advance notice of such counter-claim.
8. Where circumstances are brought to the attention of EVOGUARD GMBH after the conclusion of the contract, which cast doubt on the credit standing of Customer, notwithstanding the above or agreed conditions of payment EVOGUARD GMBH shall be entitled to security for payment in the form of a simple (i.e. not payable on first demand), irrevocable payment bond or bank guarantee of indefinite term, which shall be returned against payment of the price owed.
9. EVOGUARD GMBH shall be entitled to increase the agreed price reasonably if there are cost increases after the conclusion of contract, in particular where this is due to collective labour agreements or increases in the cost of materials. Upon request, EVOGUARD GMBH shall furnish proof for such increases to Customer.
10. EVOGUARD GMBH shall be entitled to increase the agreed price reasonably if - after the conclusion of contract - Customer requests that the object of contract be modified, and additional expenses and efforts are required for such modifications. Upon request, EVOGUARD GMBH shall furnish proof of such additional expenses and efforts to Customer.
11. Customer shall cause the agreed purchase price to be credited, at his own risk and expense, to one of the bank accounts indicated by EVOGUARD GMBH.

V. Passage of Risk

1. The risk of accidental loss, destruction and accidental deterioration of the object of contract shall pass to Customer upon handing over of the object of contract to the first carrier. This shall also apply to any partial shipments or in case where EVOGUARD GMBH itself has assumed additional costs, such as the cost of shipment or of other services, e.g. transportation, erection or assembly of the object of contract.
2. Where the object of contract or part thereof is ready for shipment, and shipment or delivery is delayed for reasons in the responsibility of Customer, the risk of accidental loss, destruction and accidental deterioration shall pass to Customer on the day the goods are ready for shipment.
3. Where EVOGUARD GMBH arranges for transportation of the object of contract, and damage in transit or a defect due to transportation is caused to the above object after delivery to the carrier, EVOGUARD GMBH shall assign its claims resulting therefrom, if any, against transport insurance(s) and carriers to Customer at the latter's request (any liability for the existence of such claims to be excluded); such assignment shall be concurrent with payment of the overall price agreed for the object of contract and of all costs owed. Any further claims against

EVOGUARD GMBH resulting from any damage in transit or a defect due to transportation shall be excluded. This shall also apply where the scope of contract includes assemblies to be performed or the erection of a turn-key plant.

4. Any limitation periods under transport or maritime law, bar periods, exclusions of liability and limitations of liability, which apply in favour of (natural or legal) persons entrusted with the transportation/loading/ unloading/storage of the object of contract in their relationship to EVOGUARD GMBH shall apply equally in favour of EVOGUARD GMBH in the contractual relationship between Customer and EVOGUARD GMBH.
5. Customer shall examine the object of contract for defects immediately upon unloading thereof in the port of destination and - if a defect is noted or suspected to exist - shall acknowledge receipt subject to reservation only and shall notify EVOGUARD GMBH immediately of any such existing or suspected defect. If the above obligations are not observed, the transport insurance(s) coverage is voided. Where coverage is voided for such reasons, liability of EVOGUARD GMBH for damage encompassed by the transport insurance(s) exclusion clause shall also be excluded.

VI. Retention of Ownership

1. EVOGUARD GMBH shall retain ownership of the object of contract until payment of all amounts owed by Customer has been received irrevocably and without reservation. Until such date, Customer shall neither be entitled to charge the object of contract with a security interest (e.g. ownership by way of security, right of lien, mortgage, land charge, etc.) nor to resell the same. Where the law applicable at the site of construction/erection (*lex rei sitae*) does not recognise a provision of security by means of retaining ownership, such other means of providing security shall be deemed to have been agreed upon, which approaches most closely a "retention of ownership" or which constitutes according to that law the typical security (e.g. "charge" or "security interest, attached and perfected"). Customer shall fully cooperate in all acts (in particular, the provision of formal declarations) required by the law applicable at the site of construction/erection for the creation of a fully enforceable retention of ownership or any other fully enforceable means of providing security.
2. Customer shall notify EVOGUARD GMBH immediately of any attachment, seizure or other measure taken by third parties with regard to the object of contract. Customer shall submit to EVOGUARD GMBH any documents required for an intervention in this regard.
3. As long as rights are retained in the object of contract in favour of EVOGUARD GMBH pursuant to the above clause 1, EVOGUARD GMBH shall be entitled - with prior notice - to reclaim the object of contract delivered in case there has been a breach of duty by Customer, in particular where the ownership of EVOGUARD GMBH of the object of contract is endangered, where the object of contract delivered is improperly used by Customer, or where Customer defaults on payment. Where Customer does not act on the claim to return the object of contract, the required number of EVOGUARD GMBH's staff shall be irrevocably entitled to enter the construction site/manufacturing plant of Customer and to disassemble and remove the object of contract delivered. Reclaiming the object of contract shall not constitute a rescission of the contract, unless EVOGUARD GMBH has expressly declared such rescission in writing. Any attachment of the object of contract by EVOGUARD GMBH shall constitute a rescission of contract.
4. Where the object of contract is taken back, EVOGUARD GMBH shall be entitled to resell it; the proceeds of such realisation shall

be set off against any liabilities of Customer, while allowing for reasonable costs of realisation.

5. Any processing or transformation of the object of contract by Customer shall always be carried out for and on behalf of EVOGUARD GMBH. Where the object of contract is processed together with other objects not owned by EVOGUARD GMBH, EVOGUARD GMBH shall acquire co-ownership of the new corporeal object in the proportion of the value of the object of contract to the other processed objects at the time of processing. The provisions regarding reserved rights applicable to the object of contract shall apply accordingly to the corporeal object resulting from processing.
6. Where the object of contract is inseparably commingled with other objects not owned by EVOGUARD GMBH, EVOGUARD GMBH shall acquire ownership of the new corporeal object in the proportion of the value of the object of contract to that of the other objects at the time of commingling. If commingling takes place in such a way that Customer's corporeal object is to be considered the principal object, a transfer of co-ownership by Customer to EVOGUARD GMBH on a prorata basis shall be deemed to have been agreed upon. The sole ownership or coownership thus created shall be held in custody by Customer for EVOGUARD GMBH.
7. As security for the claim of EVOGUARD GMBH against Customer, Customer shall assign to EVOGUARD GMBH any claims accruing to Customer against any third party as a result of connecting the object of contract with real estate.
8. EVOGUARD GMBH undertakes to release the securities it is entitled to at the request of Customer, to the extent that the value of realisable securities of EVOGUARD GMBH exceeds the secured claims by more than 20%; the selection of the securities to be released shall be at the discretion of EVOGUARD GMBH.

VII. Rights of Customer in Case of Defects

1. EVOGUARD GMBH shall be liable to Customer that the object of contract at the time of the passing of risk to Customer is free of physical and legal defects. Irrelevant deviations from qualities agreed upon shall not constitute defects.
2. Nonetheless, EVOGUARD GMBH shall not be held liable for defects or damage arising from:
 - Defects resulting from constructions prescribed or specified by Customer, defects resulting from materials (including sample materials) prescribed, specified or supplied by Customer, or defect resulting from other input of Customer.
 - Defects or damage arising after the passing of risk due to faulty or negligent treatment, operating by untrained staff, excessive use, inappropriate exchange materials, faulty construction work, inappropriate site or such defects arising due to special external circumstances not envisioned by the contract, as well as non-repeatable software errors.
 - Where Customer or third parties apply unsuitable modifications or maintenance work, any liability of EVOGUARD GMBH for these modifications, work or their consequences shall be excluded.
3. EVOGUARD GMBH shall not be liable for wearing parts (definition to follow) of the object of contract. Wear is the progressive loss of material on the surface of a solid body, due to mechanical causes, i.e. contact with and movement relative to that of a solid, liquid or gaseous opposing body. A wearing part is one used in places which unavoidably experience wear from operations, in order to protect other operating parts from wear, and which by design is intended for replacement.
4. Where a defect in the object of contract gives rise - while taking in account clauses 1 through 3, above - to the respective remedial rights of Customer, Customer shall, at first, only be entitled to demand remedial performance with regard to the defects within a reasonable time, whereby EVOGUARD GMBH is entitled to choose, according to its reasonably exercised discretion, between correction of defects or replacement delivery. Where the claim arises due to EVOGUARD GMBH withholding a defect in order to deceive or granting a guarantee regarding a quality of the object of contract, Customer shall have the right to choose between correction of defects and replacement delivery. The costs necessary for the purpose of remedial performance shall be borne by EVOGUARD GMBH. Replaced parts shall become property of EVOGUARD GMBH.
5. When requested to do so by EVOGUARD GMBH and at the latter's expense, Customer shall send the defective parts in question to EVOGUARD GMBH for repair or replacement, unless the defect requires repair at the place of installation. In such case, EVOGUARD GMBH's obligation to provide remedial performance with regard to the defective part shall be deemed to have been completely fulfilled if EVOGUARD GMBH returns the duly repaired part or sends a corresponding replacement part to Customer.
 - Where costs have increased due to the object of contract having been brought to a site other than Customer's place of business, contrary to the usage originally specified, claims of Customer for such additional costs, that are made necessary by the remedial performance, in particular costs due to transportation and infrastructure, labour and material, shall be excluded.
6. Where the defective part is a product delivered by a third party, liability of EVOGUARD GMBH shall initially be limited to an assignment of the liability claims which EVOGUARD GMBH is entitled to against such third party. Only once legal action has been taken against such third party by Customer shall EVOGUARD GMBH's own liability be revived. This limitation of liability shall not apply, where the liability of EVOGUARD GMBH arises due to EVOGUARD GMBH withholding a defect in order to deceive or assuming a guarantee regarding a quality of a product manufactured by a third party.
7. Customer shall examine the object of contract directly upon receipt thereof and notify EVOGUARD GMBH of any recognisable defects without delay. This obligation of providing notice immediately shall also apply where a defect emerges later. The fact that EVOGUARD GMBH is certified as conforming to ISO 9001 shall not serve to release Customer from its duty to examine and give notice of defects according to § 377 of the German Commercial Code (HGB). Where Customer omits such notice, the object of contract shall be deemed to have been approved regardless of any defect.
8. Where Customer does not accept the remedial performance offered by EVOGUARD GMBH pursuant to the contract, upon fruitless expiry of an extension of time allotted EVOGUARD GMBH shall be released from liability for the claimed defect.
9. Where remedial performance has failed, Customer shall be entitled - subject to the conditions contractually agreed upon, including those provided for by the present Terms and Conditions - to make any other claims based on the defect. In particular, failure of remedial performance shall be established, where EVOGUARD GMBH has allowed a reasonable extension of time allotted by Customer to pass fruitlessly, or has unduly delayed or refused remedial performance, or where a reasonable number of attempts at remedial performance have been unsuccessful.
10. EVOGUARD GMBH may refuse correction of a defect, where Customer does not make payment as agreed upon. Customer shall only be entitled to retain payment for cause, where the notice of defect is justified beyond all doubt. This right of retention shall be limited in its amount to four times the cost necessary to correct the defect. Where Customer makes a claim based on a defect, and it is subsequently shown, in particular by means of an appropriate inspection by EVOGUARD GMBH, that

the claim based on defect made by Customer is unwarranted for factual or legal reasons, EVOGUARD GMBH shall be entitled to reasonable payment and reimbursement of all expenses for services, particularly those rendered in relation to the inspection.

11. All claims for damages shall be subject to the limitations, modifications and exclusions provided by the following Article VIII, as set out below.

VIII. Limitation or Exclusion of Liability of EVOGUARD GmbH

1. Customer shall carefully observe both the instructions for use and the operating instructions, as well as the safety information provided by EVOGUARD GMBH. In particular, Customer shall comply with the instructions of EVOGUARD GMBH on how the object of contract is to be used without risk, which precautions are to be taken regularly and individually, and which types of errors in usage are to be avoided. If Customer breaches this duty, EVOGUARD GMBH shall not be liable for any damage resulting therefrom.
2. Limitation of liability of EVOGUARD GMBH for damage, both direct and consequential, resulting from defects: EVOGUARD GMBH shall neither be liable for any direct damage resulting from defects (including damage consisting of lost profits) nor for consequential damage resulting from defects, regardless of legal reason. This exclusion of liability shall not apply to claims by Customer for damage based on gross fault (intent/gross negligence).
3. Limitation of liability of EVOGUARD GMBH for ordinary (as opposed to gross) negligence: Any claims of Customer, regardless of legal reason, for damages not based on gross fault (intent/gross negligence) on the part of EVOGUARD GMBH shall be excluded, unless the damage is due to the presence of a defect or the breach of material contractual duties (so-called "cardinal duties"), the fulfilment of which is a prerequisite to the proper execution of the contract.
4. Limitation of liability of EVOGUARD GMBH for not typically foreseeable damage: Unless any claims for damages by Customer are already excluded due to the limitations of liability of EVOGUARD GMBH for direct and consequential damage (clause 2) and for ordinary negligence (clause 3), where such claims - regardless of legal reason - are not based on gross fault (intent/gross negligence) on the part of EVOGUARD GMBH, such claims shall be limited in their amount to compensation for such damage which EVOGUARD GMBH, taking into consideration the circumstances that EVOGUARD GMBH knew or should have known at the time of conclusion of the contract, should have been able to foresee as a possible consequence of a breach of duty or a breach of contract (typically foreseeable damage).
5. Limitation of liability of EVOGUARD GMBH for improper performance: Unless a claim by Customer has already been excluded due to the limitations of liability in favour of EVOGUARD GMBH with regard to direct or consequential damages (clause 2) and for ordinary negligence (clause 3), where - as a result of improper performance - Customer asserts a claim for either damages due to breach of duty or damages in lieu of performance against EVOGUARD GMBH, and where such claim is not based on gross fault (intent/gross negligence), this claim for damages shall be limited - beyond the limitation of liability of EVOGUARD GMBH for the typically foreseeable damage (clause 4) - to a maximum amount of 10% of the contract price of machinery delivered. Improper performance shall be deemed to exist where obstacles arise during the contractual relationship, which impede or prevent proper fulfilment of contractual duties or where one party to the contract causes injury to the other party.

6. Limitation of liability of EVOGUARD GMBH for damage caused by delay:

The above limitations of liability in favour of EVOGUARD GMBH with regard to direct and consequential damages (clause 2), ordinary negligence (clause 3), not typically foreseeable damage (clause 4) and improper performance (clause 5) shall also apply to claims for damages of Customer against EVOGUARD GMBH with regard to damage caused by delay, unless such damage is based on gross fault (intent/gross negligence). In excess of the foregoing, in all cases of delayed delivery, including claims both for damages by Customer due to delay of delivery as well as damages in lieu of delivery, and even in cases where time for delivery may have been extended for EVOGUARD GMBH and has expired, damages shall be limited in their amount to 0.5% per fully completed week of delay - to a maximum of 5% - based on the price of that portion of the delivery, which could not commence operations expediently due to such delay.

7. Limitation of liability of EVOGUARD GMBH for persons employed in performing an obligation: Except where - due to gross fault (intent/gross negligence) of persons employed in performing an obligation - such contractual duties were breached, the fulfilment of which was prerequisite to the proper execution of the contract, any liability for persons employed in performing an obligation (§ 278 BGB), regardless of legal reason, shall be excluded. In no event shall the liability of EVOGUARD GMBH for a person employed in performing an obligation exceed the liability of EVOGUARD GMBH for its own fault as provided for in the above limitations of liability. According to § 278 BGB, a person employed in performing an obligation is a natural person or legal entity whose services the obligor makes use of in order to perform its obligations.
8. Customer's right to rescind the contract due to non-performance or performance not in conformity with the contract shall be excluded. This shall not apply, where EVOGUARD GMBH has intentionally or grossly negligently failed to perform in conformity with the contract.
9. The above limitations of liability (Art. VIII.1 through VIII.8) shall apply neither to claims made pursuant to ss.1 (and following) of the Product Liability Law, nor to claims based on defects withheld in order to deceive, nor to claims based on the grant of a guarantee regarding a quality, nor to claims based on injury to life, body or health of Customer, his officers and employees, nor to claims based on an obstacle to performance in existence at the time of conclusion of contract, which EVOGUARD GMBH had knowledge of at that time, or is at fault for lacking of such knowledge. The above provisions shall not entail a shift in the burden of proof to Customer's disadvantage.
10. In cases where the freight forwarder is arranged for by the Customer, EVOGUARD GMBH will not be held liable for any costs incurred as a result of additional security checks or time delays occasioned by the requirements of the German Aviation Security Act and the EU regulations (EC) No. 300/2008; (EC) No. 185/2010; (EC) No. 173/2012; (EC) No. 272/2009 or any other current national or international statutory provisions. The Customer agrees, on EVOGUARD GMBH'S first demand, to indemnify and hold EVOGUARD GMBH harmless from any costs or damages to the extent that such costs or damages are incurred as a result said of additional security checks as well as any ensuing time delays.

IX. Limitation Period

1. Where claims arising due to defects would - by default - be subject to statutory limitation periods of 2 years (e.g. § 438 s. 1 no. 3 BGB; § 634 a s. 1 no. 1 BGB), such limitation period shall be shortened to 1 year. Where Customer has claims due to defects which arise from the grant of a guarantee regarding a quality, these claims shall be excluded from such shortening of the limi-

EVOGUARD GmbH
Dr.-Hermann-Kronseder-Straße 1
93149 Nittenau
Germany

Tel.: +49 9436 307 700
Fax: +49 9401 70 943 700
E-mail: info@evoguard.com
Internet: www.evoguard.com

